



INSTALLATION INSTRUCTIONS

RECESSED MOUNTING EMERGENCY LIGHT

IMPORTANT SAFEGUARDS

READ AND FOLLOW ALL SAFETY INSTRUCTIONS

1. Review the diagrams thoroughly before beginning. If you feel you do not have electrical wiring experience, refer to a do-it-yourself wiring handbook or have your fixture installed by a qualified licensed electrician.
2. All electrical connections must be in accordance with local codes, ordinances, and the National Electric code. If you are unfamiliar with methods of installing electrical wiring, secure the services of a qualified electrician.
3. Before starting the installation, disconnect the power by turning off the circuit breaker or by removing the appropriate fuse at the fuse box. Turning the power off using the light switch is not sufficient to prevent electrical shock.
4. Do not use outdoors.
5. Do not mount near gas or electric heaters.
6. Equipment should be mounted in location and at heights where it will not readily be subject to tampering by unauthorized personnel.
7. The use of accessory equipment not recommended by the manufacturer may cause an unsafe condition.
8. Do not use this equipment for other than intended use.
9. All servicing should be performed by qualified personnel only.
10. Allow battery to charge for 24 hours before first use.

STANDARD FEATURES

1. Housing constructed from steel.
2. Steel face plate, white powder coated for durability and plastic lamp housing.
3. A long life lead calcium maintenance free battery.
4. Matching remote fixture
5. Test switch and AC-ON light.

RECESSED MOUNTING

1. Refer to assembly drawing (Fig. 1) before starting installation.
2. Position metal housing and bar hangers between joists. Adjust bar hanger in the correct position to hanged extend 14" to 24". Position metal housing temporarily by hammering "nail-in" tabs on bar hangers, then secure permanently with nails. Bar hangers should be level with bottom of joists (Fig. 2)
3. Vertically adjustable brackets maybe mounted on all sides of the housing. Adjust height of metal housing vertically using adjusting slots and then tightening all screws on adjusting slots and bar hanger.
4. Dual 120/277VAC selectable input. Make proper electrical connections at J-Box in the metal box or at junction box in the ceiling of the building. (Fig. 4) If using 120VAC, connect the black and white leads to the building utility. Cap off unused wire. In all cases, use standard wire nuts to connection leads. (Fig. 5)
5. Connect battery wires. Join male terminal on the battery to female terminal on the circuit board. (Fig. 6) Connect male terminal on the transformer to circuit board on the holding box and face plate assembly. (Fig. 6)
6. Remove the holding box and plate assembly. Inoculating the bar on the metal housing inside to join the breach on the holding box. (Fig. 6)
7. Secure trim face plate using provided screws. (Fig. 7)

SAVE THESE INSTRUCTIONS

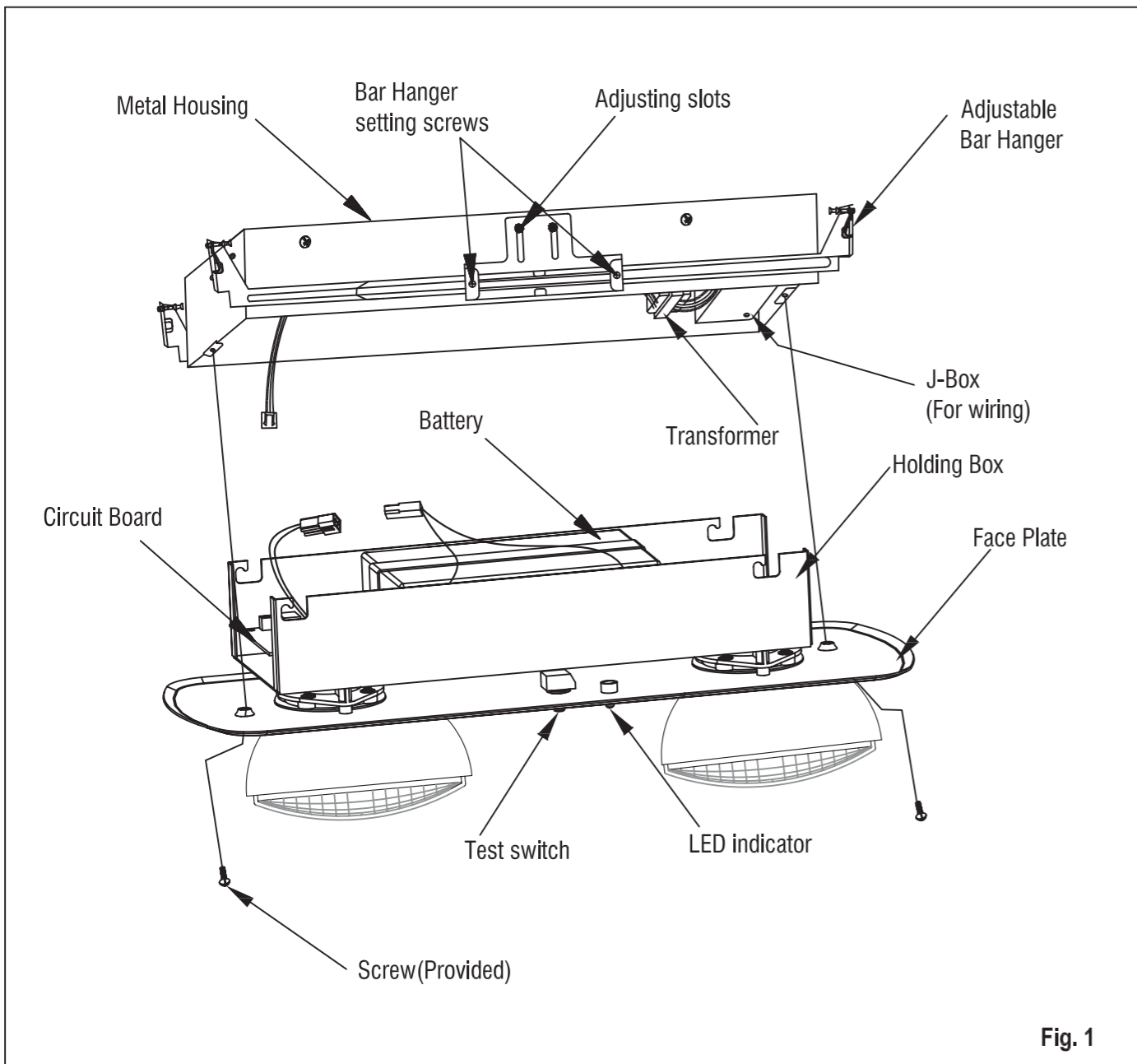


Fig. 1

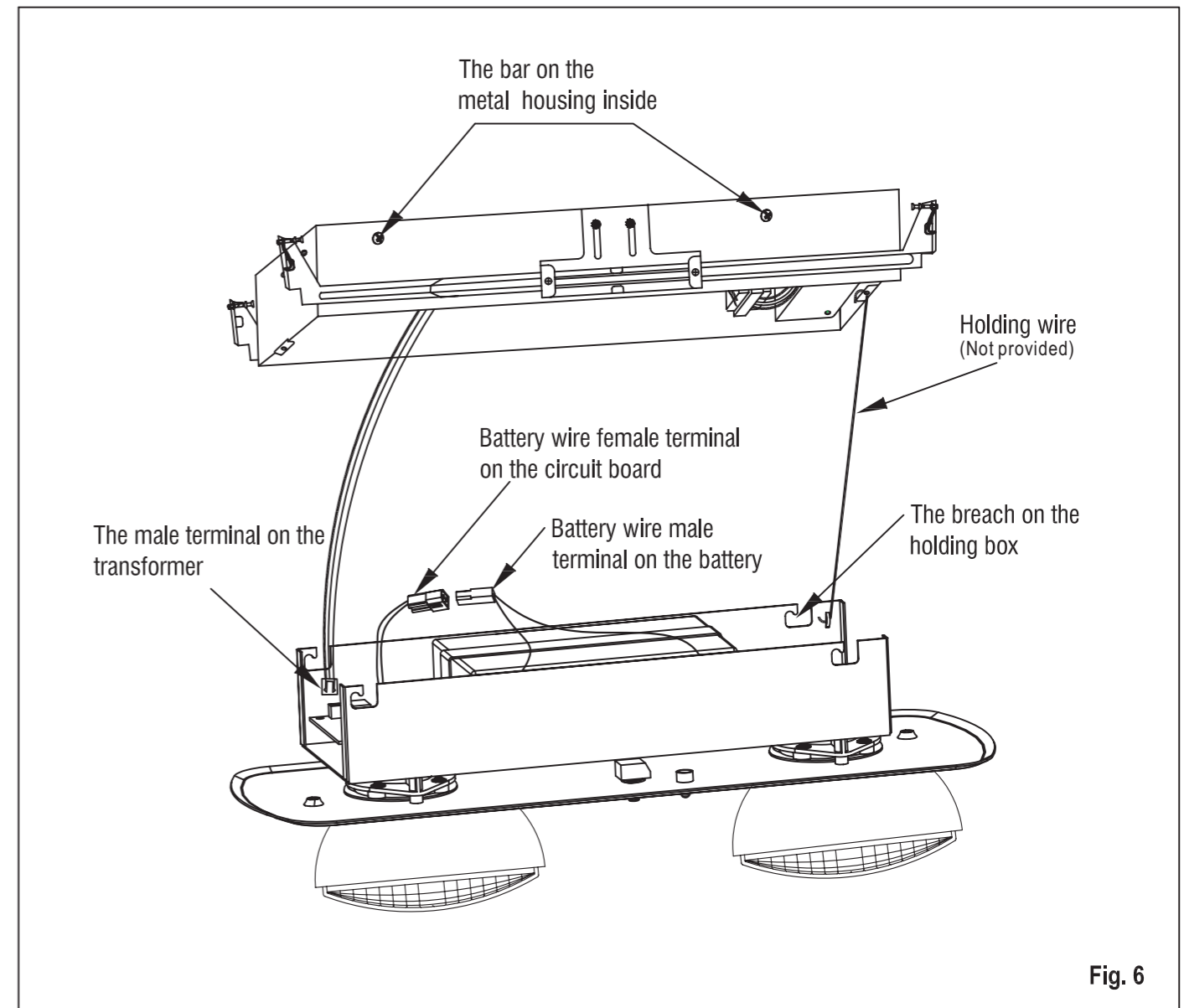


Fig. 6

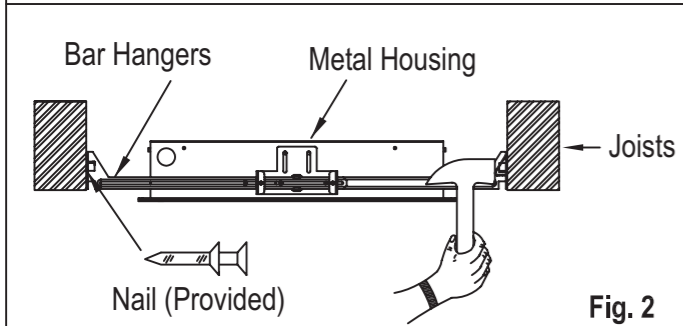


Fig. 2

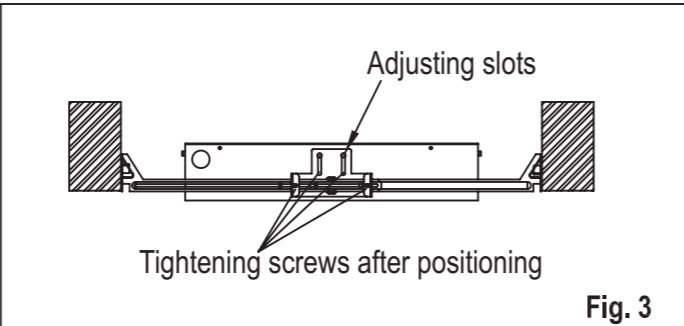


Fig. 3

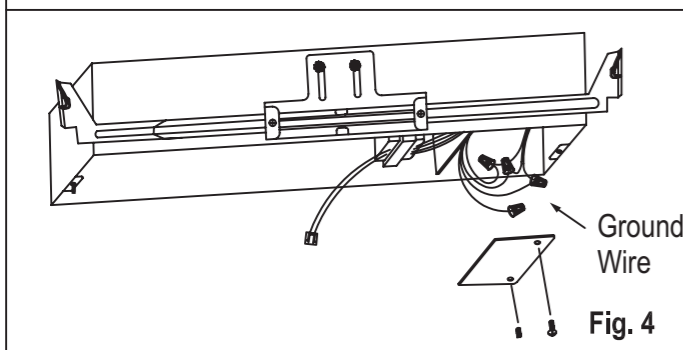


Fig. 4

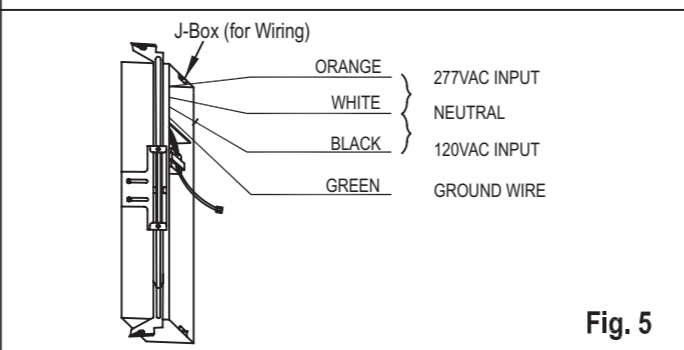


Fig. 5

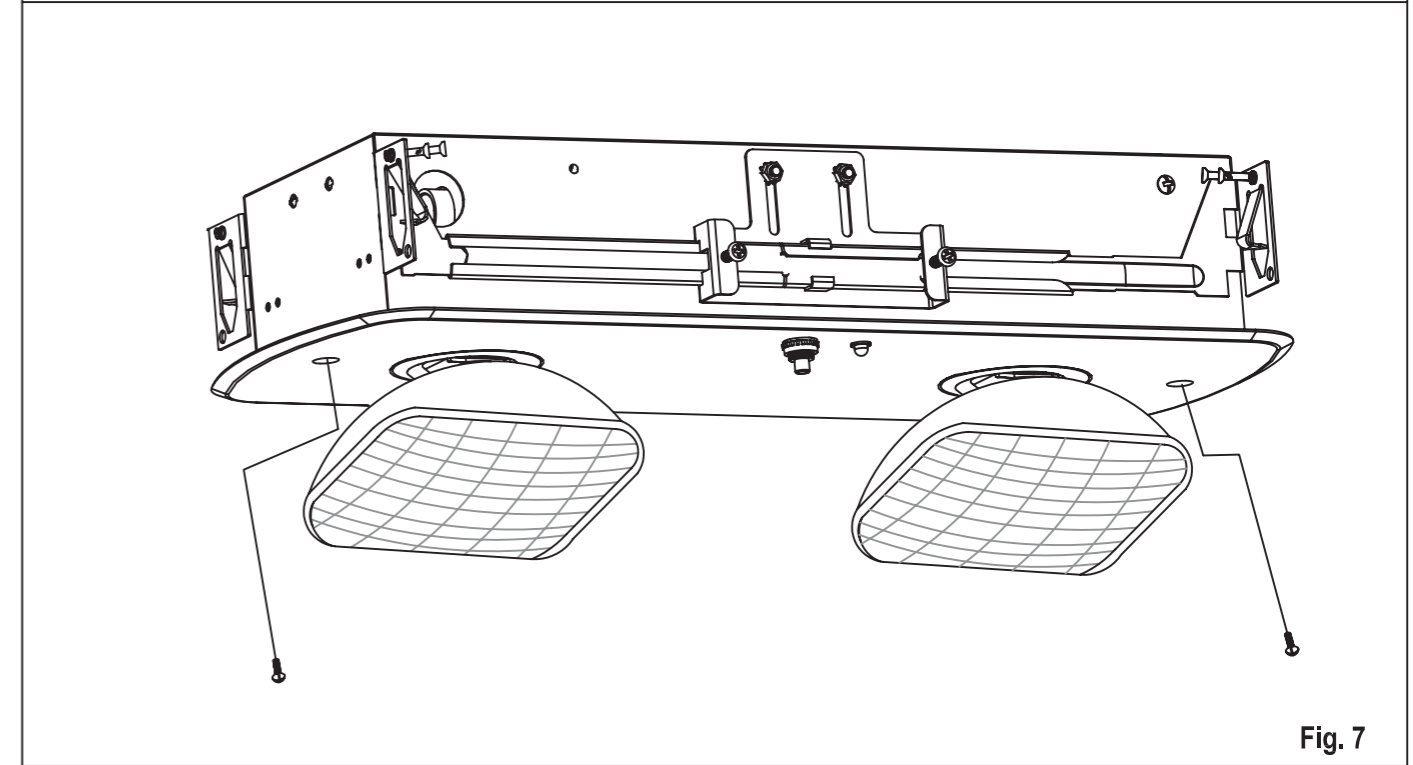


Fig. 7