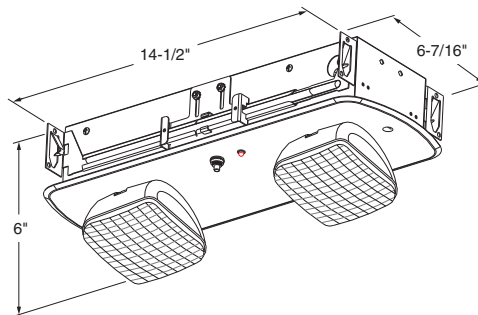




RECESSED EMERGENCY LIGHT WITH BATTERY BACKUP (E-XMRDBW)

Applications – For general purpose emergency lighting in indoor commercial, retail, or industrial applications.



Catalog #	Description	Voltage	Ambient Temperature Rating	Weight	Energy Consumption
E-XMRDBW	Recessed emergency light with battery backup	120- or 277-volt	50°F to 104°F	12 Pounds	11.4-watts @ 120V 13.5-watts @ 277V

Features

- Steel housing and white painted trim plate
- Sealed, maintenance-free lead-calcium battery provides (90 min.) of emergency operation
- Recessed ceiling mounting
- Adjustable bar hangers adapt housing for mounting in suspended ceiling
- Push-to-test switch
- Two 6-volt 10-watt T5 wedge base lamps (included)
- Charge/power-on indicator light
- Automatic low-voltage disconnect and brownout protection
- Labor saving AC line latching
- Listed and complies with UL924
- Complies with NFPA 101 Life Safety Code
- Suitable for damp locations
- 1-year warranty