

# PREMIUM FLOODLIGHTS



Our Premium Flood Series delivers performance, quality and durability at an economical price. Choose from three optical systems: Wide, Cutoff, and Roadway contained in a compact 14-inch square x 6.375-inch deep housing.

## Excellent Corrosion Resistance

- Low copper, die-cast aluminum lens frame and housing
- E-coat epoxy primer with five layers of protection
- Super durable dark-bronze powder topcoat
- Five-year finish warranty

## Versatile Optics

- Effective optical patterns
- Suitable for ground mounting, uplight & downlighting (IP54)
- Precision reflector delivers optimum results
- High-performance H75 lamp included

## Built-to-Last

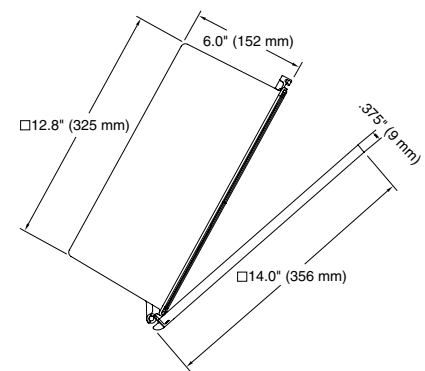
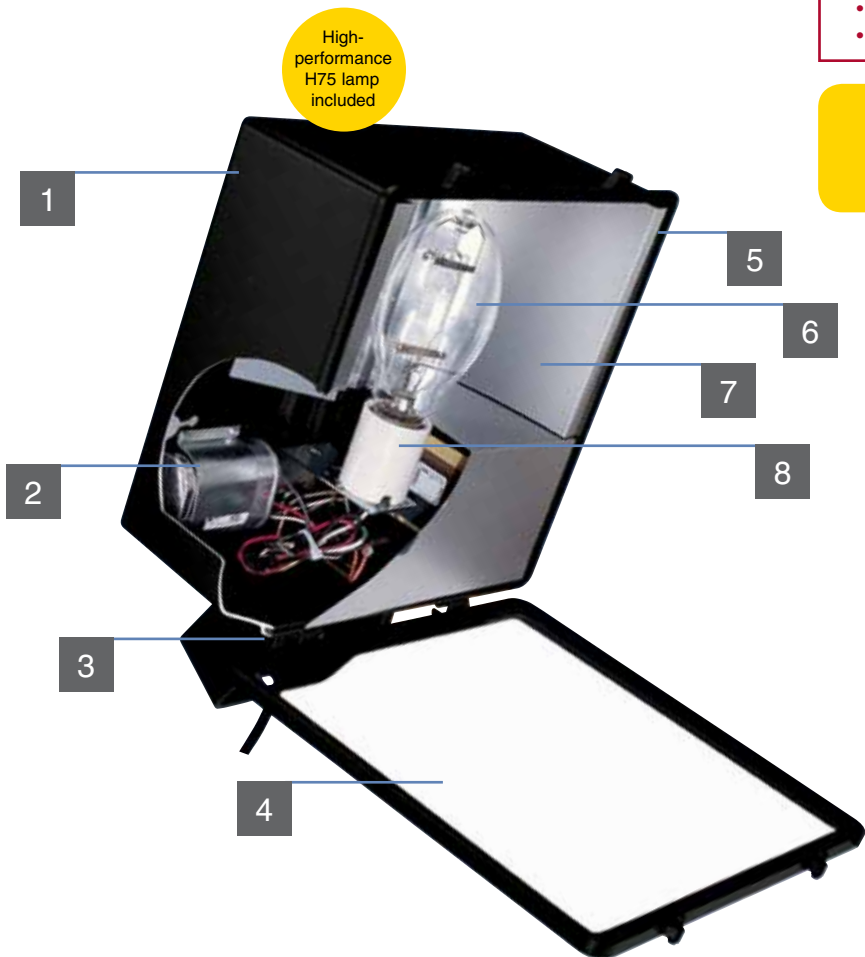
- Foam in place gaskets provide superior seal
- Durable stainless steel captive fasteners
- UL listed for wet locations (IP54)
- Three-year fixture warranty
- One-year lamp warranty
- Assembled in the USA



We provide the benefits of Venture Lighting's Uni-Form<sup>®</sup> Pulse Start Metal Halide technology

- Superior lumen maintenance in horizontal position
- Longer lamp life - as much as, 20000+ hours
- Optimized for horizontal operation ± 75°
- No position oriented socket needed
- Ballast efficiency equal to or greater than 88%

**3-year fixture warranty**  
**5-year finish warranty**



## OUTDOOR — Recommended Mounting Heights

Wattage	Mounting Height
150W	15'-20'
250W	20'-25'
320W	20'-30'
400W	25'-30'

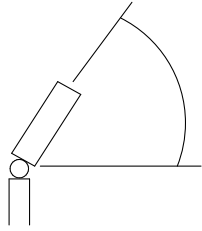
- |   |   |
|---|---|
| <ol style="list-style-type: none"> <li>1. Low copper die-cast aluminum lens frame and housing features E-coat epoxy primer and dark bronze super durable powder topcoat</li> <li>2. Electrical components heat sunk to the housing for increased life.</li> <li>3. Integrated lens frame hinge</li> <li>4. Tempered glass lens for maximum impact resistance</li> </ol> | <ol style="list-style-type: none"> <li>5. Superior foam in place gasket</li> <li>6. Venture Lighting's High-performance H75 lamp included with fixture</li> <li>7. Precision reflector systems using high-efficiency pre-finished aluminum sheets for optimum lighting results</li> <li>8. 4KV rated porcelain lamp socket</li> </ol> |
|---|---|

# PHOTOMETRIC INFORMATION

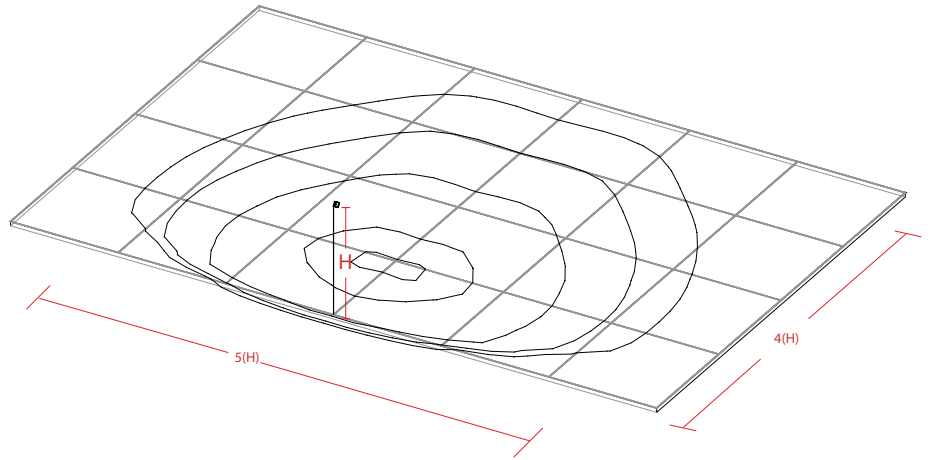
## Premium Wide Floodlight

(E-HJW)

**Applications** – General-purpose applications, building facades, large open areas (no cutoff), sign lighting



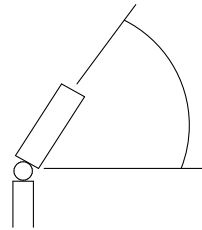
**Fixture Tilted  
60-Degrees  
Above Horizontal**



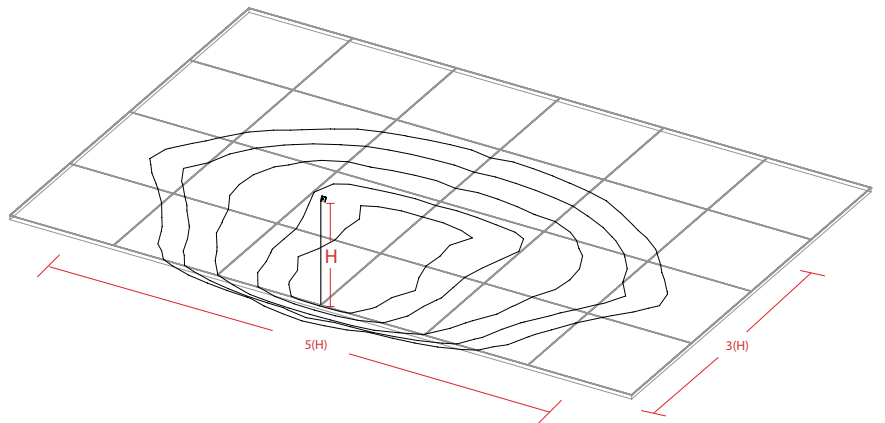
## Premium Cutoff Floodlight

(E-HJC)

**Applications** – Provides source cutoff and limited spill above horizontal, building facades, large open areas, sign lighting



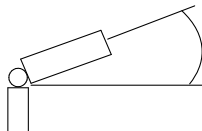
**Fixture Tilted  
60-Degrees  
Above Horizontal**



## Premium Roadway Floodlight

(E-HJR)

**Applications** – Roadway and pathway areas that require extra-wide lateral distribution, driveways, pathways, boulevards



**Fixture Tilted  
20-Degrees  
Above Horizontal**

