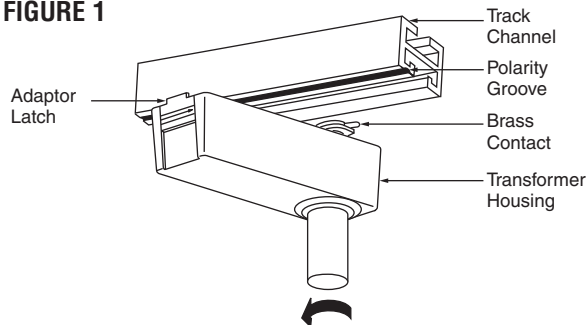


INSTALLATION INSTRUCTIONS LOW VOLTAGE TRACK FIXTURES WITH EXTERNAL TRANSFORMERS

Document	CI078X02R0	Date	08/03/10
Drawing/Page	JAD	DCR #	10-162



FIGURE 1



CAUTIONS

1. To avoid the possibility of electrical shock turn off power supply before installation or servicing.
2. Please read and understand all instructions thoroughly before installing any part of the Track system.
3. Save these instructions and refer to them when additions to or changes in the track configuration are made.

NOTES:

1. All E-conolight Track sections are manufactured with a Polarity Groove.
2. All E-conolight Track fixtures are manufactured with Indicator Arrows designed to point toward the Polarity Groove once installed. See Figures 1 and 2.
3. E-conolight Track fixtures are UL® Classified for use with E-conolight E-K1 and E-K2 Series, Ruud T1 and T2 Series, and Juno® (not affiliated with E-conolight or Ruud) T and TU Series track systems only.
4. Use of dimmers with low voltage fixtures: Only use dimmers that are specifically designed for 12-Volt lamps. See Dimming Low Voltage Fixture information enclosed.
5. All E-conolight Track fixtures are supplied with a Contact Support to convert fixture from Single Circuit installation to Two Circuit Installation. See Figures 3 and 4.

FIXTURE INSTALLATION ON SINGLE CIRCUIT TRACK

1. Insert Brass Contact on top of Transformer Housing into the Track Channel. See **Figure 1**.
2. Rotate the Transformer Housing 90° so that the Indicator Arrows point toward the Polarity Groove once installed. See **Figure 2**. Pull Adaptor Latch down as you rotate Transformer Housing in order for Latch to clear track edge and allow it to snap into place in the track.
3. To remove or relocate track fixture location, pull Adaptor Latch down, rotate the Transformer Housing 90° away from the Polarity Groove and remove.

FIGURE 2

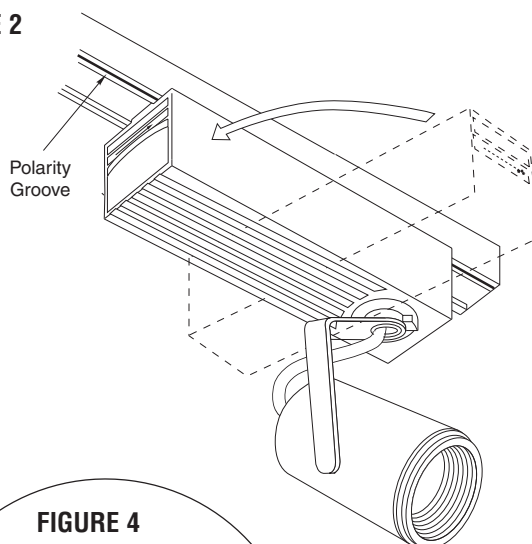


FIGURE 4

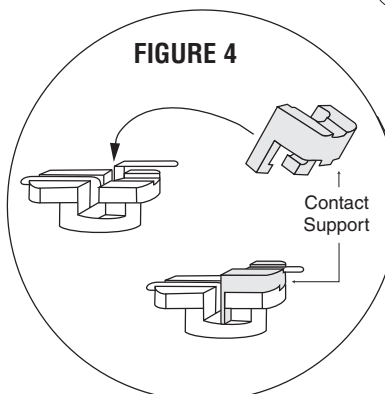
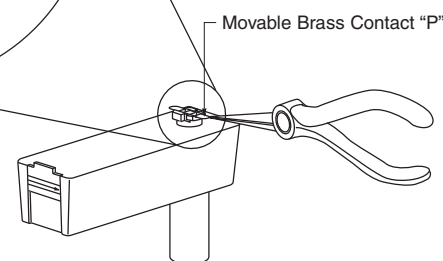


FIGURE 3



FIXTURE INSTALLATION ON TWO CIRCUIT TRACK

1. To install track fixture into **lower** circuit of two-circuit track, follow directions for single circuit installation.
2. To install track fixture into **upper** circuit of two-circuit track, raise the Brass Contact labeled "P" by grasping Contact with needle nose pliers and pulling up into position. See **Figure 3**.
3. Insert Contact Support by tipping and positioning under the "P" Contact. See **Figure 4**. Snap Contact Support in place. **NOTE:** Once the contact support is in place, make sure the "P" contact is fully seated in the support by using the needle nose pliers to push the "P" contact into place.
4. Insert Brass Contact on top of Transformer Housing into the Track Channel. See **Figure 1**.
5. Rotate the Transformer Housing 90° so that the Indicator Arrows point toward the Polarity Groove once installed. See **Figure 2**. Pull Adaptor Latch down as you rotate Transformer Housing in order for Latch to clear track edge and allow it to snap into place in the track.
6. To remove or relocate track fixture location, pull Adaptor Latch down, rotate the Transformer Housing 90° away from the Polarity Groove and remove.

**INSTALLATION INSTRUCTIONS
LOW VOLTAGE TRACK FIXTURES WITH
EXTERNAL TRANSFORMERS**

Document	C1078X02R0	Date	08/03/10
Drawing/Page	JAD	DCR #	10-162



**DIMMING LOW VOLTAGE FIXTURES
WITH ELECTRONIC TRANSFORMERS**

NOTES:

- 1. Dimmer loading should not exceed 80% of the power rating of the dimmer.**
- 2. Do not use more than one dimmer per neutral line. This will prevent problems of instability.**
- 3. Dimmers may require a neutral connection.**

Use Electronic Low Voltage dimmers with the following E-conolight fixtures:

- E-KRB1E
- E-KFB1E
- E-KNB1E

Recommended Electronic Low Voltage dimmers:

Lutron

- NELV Series
- NTELV Series
- SELV Series

Lightolier Control

- MP with QE Suffix Series
- ZP with QE Suffix Series