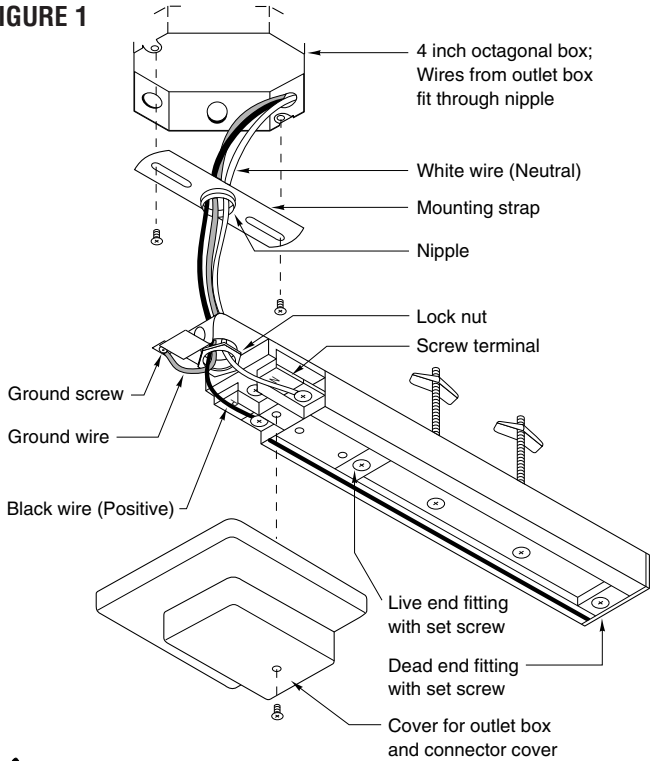


INSTALLATION INSTRUCTIONS ONE CIRCUIT TRACK & CONNECTORS

Document	CI081X02R0	Date	08/03/10
Drawing/Page	JAD	DCR #	10-162



FIGURE 1



CAUTIONS

1. To avoid the possibility of electrical shock, turn off power supply before installation or servicing.
2. Track not intended to be connected with power cord or to more than one branch circuit unless it is constructed so that it can be used with more than one circuit. Check with a qualified electrician. Although the track system may appear to operate acceptably, a dangerous overload of the neutral may occur and result in a risk of fire.

NOTES

1. Please read all of these installation instructions before installing any part of the Track System.
2. Save these instructions and refer to them when additions to or changes in the track configuration are made.
3. Use only fixtures and fittings intended for use with E-conolight E-K1 and E-K2 Series Track and Connectors.
4. The one circuit track system has a maximum capacity of 20 amps or 2400 total watts when permanently wired to an outlet box.
5. Do not attempt to energize anything other than lighting track fixtures on the track. To reduce the risk of fire and electric shock, do not attempt to connect power tools, extension cords, appliances, and the like to the track.
6. Track light assembly must be installed a minimum of 6 inches distance from any combustible surface or material, such as wall coverings or curtains.
7. Track is not to be installed in wet or damp locations.
8. Track system must be installed a minimum of 5 feet above floor.

INSTALL TRACK SECTION

1. Secure mounting strap to outlet box. For adjustable, "T" and "X" connectors, a E-KC31 Cover Plate is required. If removal of a knockout is required, remove it at this time.
2. Make sure end cap at opposite end of track is secured & butted against a surface. Slide feed connector into end of Track, by aligning polarity arrow on connector with polarity groove in track; secure with the set screws provided. Using toggle bolts or screws provided, attach Track to ceiling. Secure feed connector (to outlet box, if applicable).
3. **Adding New Connector:** If adding additional sections to existing track, remove end cap from existing track. Slide new connector into open end of existing track and tap with rubber mallet to secure proper fit.

4. **Adding New Track:** Secure end cap into non-connecting end of new track. Slide new track into new connector and tap with rubber mallet for proper fit with no gap. Secure to ceiling according to instructions above.
5. If T-bar ceiling, use T-bar clips (order separately). Maximum distance between clips is two (2) feet.
6. If track is to be pendant mounted, maximum pendant spacing is four feet; minimum two pendants per track section.

WIRING TRACK SECTION

1. Run wire through outlet box, mounting strap and connector.
2. Connect positive wire (black) to the screw terminal marked P.
3. Connect the neutral wire (white) to the screw terminal marked N.
4. Connect ground wire.
5. See specific track fixture Installation Instructions for installation of track fixtures onto track.
6. Track Rated at 120V, 60 Hz, 20 Amps.

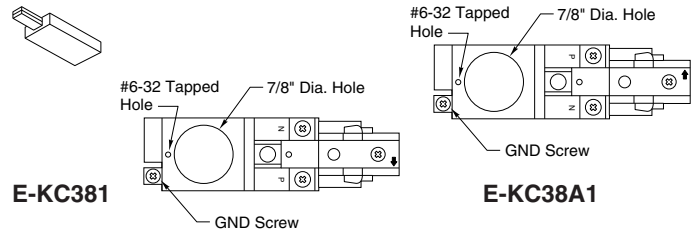
WIRING CONNECTORS

1. Connectors are factory wired for correct polarity. Wiring patterns can be changed easily in the field by merely shifting jumper positions or eliminating wires. When replacing or rewiring, be sure to maintain correct polarity.

POWER FEEDS

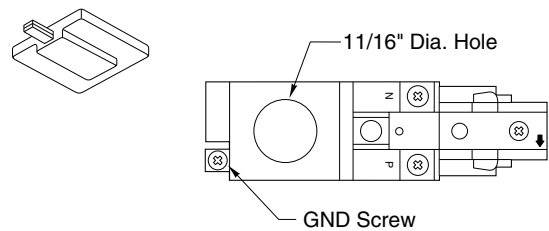
END FEED Catalog # E-KC381/E-KC38A1

Allows feed from above with Romex, Greenfield or conduit. Use as end feed when track is suspended with pendants. E-KC38A1 provides opposite polarity.



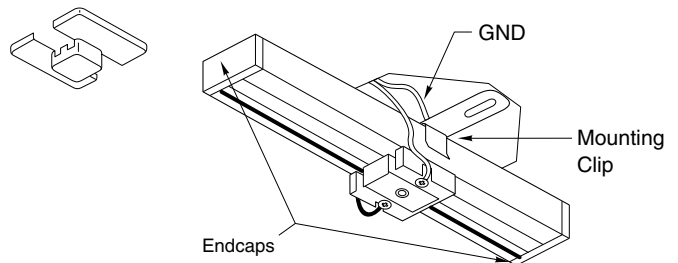
OUTLET BOX FEED Catalog # E-KC291

End feed with outlet box cover, mounting strap and 3/8" I.P. nipple.



FLOATING FEED Catalog # E-KC261

Mounts to outlet box to feed power at any point on track.



CONDUIT FEED Catalog # E-KC271/E-KC27A1

Accepts 1/2" conduit for surface wiring. E-KC27A1 provides opposite polarity for conduit continuation. If using plastic conduit, installer should strip ground wire, wrap stripped portion around threads inside Conduit Feed and tighten with nut provided. See diagram.

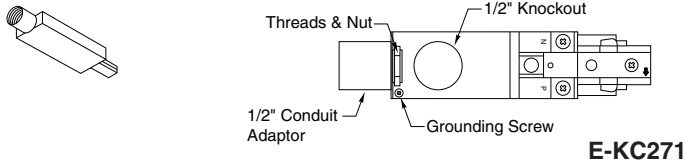
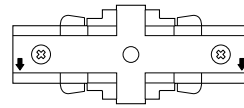
INSTALLATION INSTRUCTIONS ONE CIRCUIT TRACK & CONNECTORS

Document	CI081X02R0	Date	08/03/10
Drawing/Page	JAD	DCR #	10-162

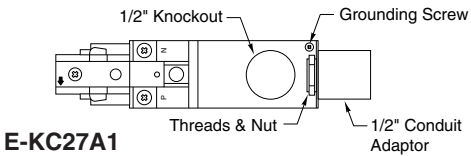


Mini Connector Catalog # E-KC221

Joins two track sections.



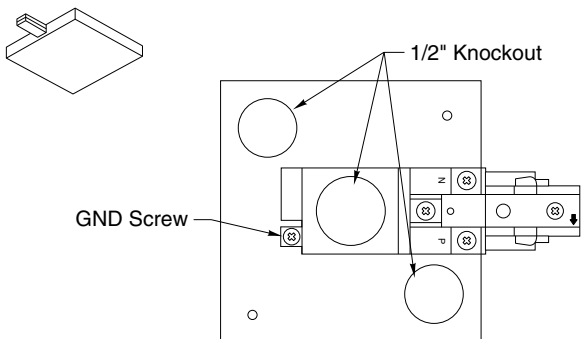
E-KC271



E-KC27A1

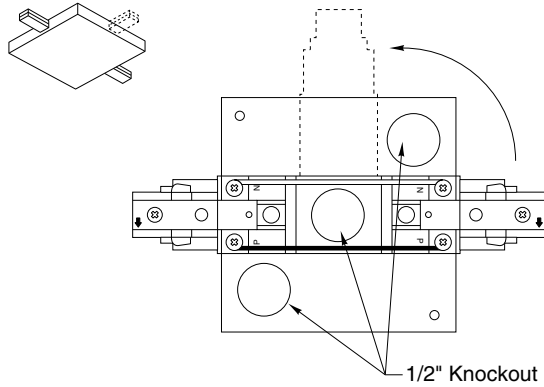
T-BAR END FEED Catalog # E-KC361

End feed for T-Bar mounted track. 1/2" knockouts.



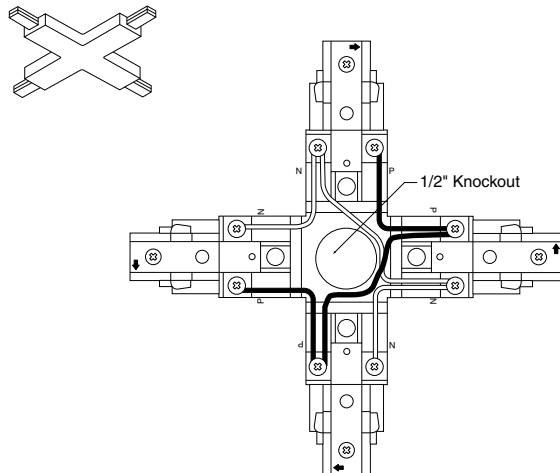
T-Bar Adjustable Connector Catalog # E-KC351

Adjustable connector for T-Bar mounted track. Joins two track sections for either 90° angle or straight run.



"X" Connector Catalog # E-KC251

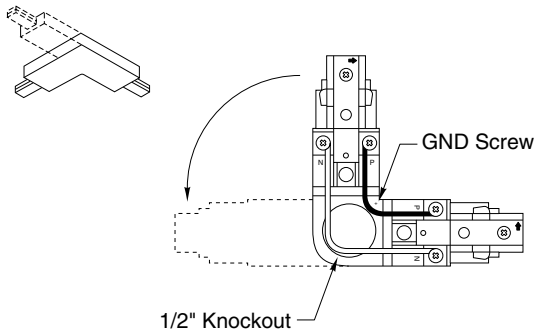
Joins up to four track sections.



COMBINATION FEEDS & JOINERS

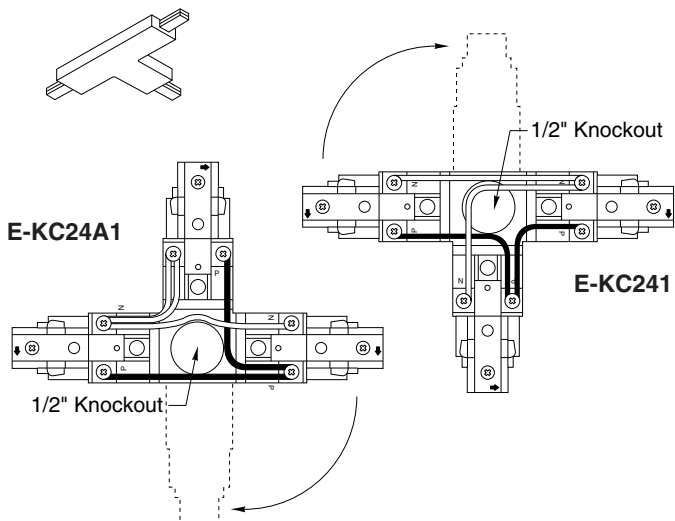
Adjustable Connector Catalog # E-KC231

Adjusts to connect two track sections either at a 90° angle or a straight run. Includes covers for both possibilities.



"T" Connector Catalog # E-KC241/E-KC24A1

Joins three track sections. E-KC24A1 provides opposite polarity.



CUTTING TRACK IN THE FIELD

Drilling Instructions:

1. Drill additional mounting holes in cut sections, if necessary. When a new mounting hole is required in a piece of track, it must be placed in the center of the insulator no closer than 2" nor farther than 6" from the end of the track.
2. Locate and drill a 1/4" diameter hole through the track and insulator. Carefully de-burr the hole and make sure that there are no chips or filings that remain in the track.

Step 1. Remove dead end fitting and pull copper conductors until flush with end of track that will be cut.

Step 2. Cut to desired length, allowing 1/8" for dead end fitting. NOTE: Remove the burrs after cutting.

Step 3. Push copper conductors back into the track. Copper conductors should be 5/16" - 3/8" recessed from each end of the track.

Step 4. Reinstall dead end fitting after conductors are cut and tighten screw.

E-conolight Track Fixtures are UL® Classified for use with E-conolight E-K1 & E-K2 Series, Ruud T1 and T2 Series, and Juno® (not affiliated with E-conolight or Ruud) T & TU Series track systems only.