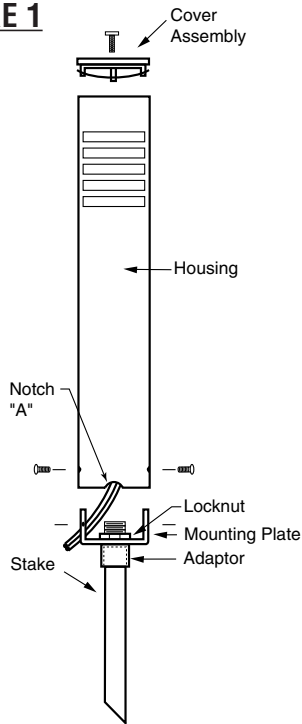


INSTALLATION INSTRUCTIONS LOW VOLTAGE LANDSCAPE

Document	CI128X02R0	Date	05/19/10
Drawing/Page	JAD	DCR#	10-162



FIGURE 1



CAUTIONS

1. To avoid the possibility of electrical shock, turn off power supply before installation or servicing.

NOTES

1. Remove parts bag from inside fixture housing.
2. Calculate load on each circuit using total watts. Do not use number of fixtures.
3. Always test fixture operation before burying main cable(s).
4. Stake adaptor can be firmly attached to stake with user-supplied PVC cement.

STAKE MOUNTING - FIGURE 1

1. Loosen (2) screws on bottom of housing and remove mounting plate.
2. Remove locknut from adaptor. Put adaptor through hole in mounting plate. Secure mounting plate to adaptor using locknut.
3. Pigtail wires should exit housing through notch "A", located at the bottom of housing.
4. Reattach mounting plate to fixture housing with the (2) screws previously loosened in Step 1.
5. Fixture with stake is ready to be mounted in appropriate location.

MOUNTING WITHOUT STAKE - FIGURE 1 & 2

1. Discard locknut, adaptor, and mounting stake.

FIGURE 2

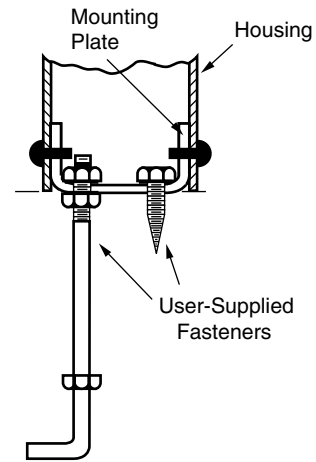
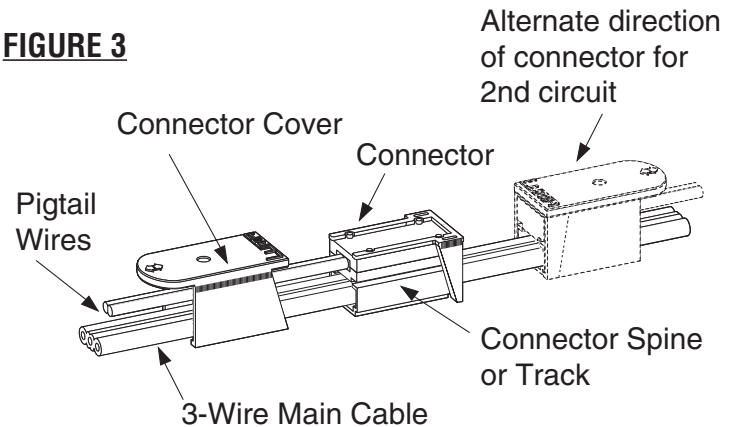


FIGURE 3



2. Loosen (2) screws on bottom of housing and remove mounting plate.
3. Attach mounting plate (flanges up) to mounting surface using user-supplied fasteners. **Note:** Use lagg bolts if mounting to wood or anchor bolts if mounting to concrete.
4. Slide housing over mounting plate making sure cord knot is inside housing. Pigtail wires should exit housing through notch "A", located at bottom of housing.
5. Reattach housing to mounting plate with the (2) screws previously loosened in Step 2.

ELECTRICAL CONNECTION - FIGURE 3

1. Route pigtail wires with connector to power cable.
2. Place connector spine on power cable so that opening of spine faces up.
3. Align connector with spine and press down piercing cable with connector pins.
4. Slide cover in place over connector.
5. When attaching fixtures, care must be taken to balance electrical load. To do this on a 3-wire cable, alternate direction of connectors on power cable for every other fixture (connector pins will pierce opposite side of 3-wire cable). For a 2-wire system, connect roughly the same amount of wattage per cable.

RELAMPING

1. Loosen screw on top of fixture and remove cover assembly.
2. Replace lamp(s).
3. Replace cover on top of housing and tighten with screw.