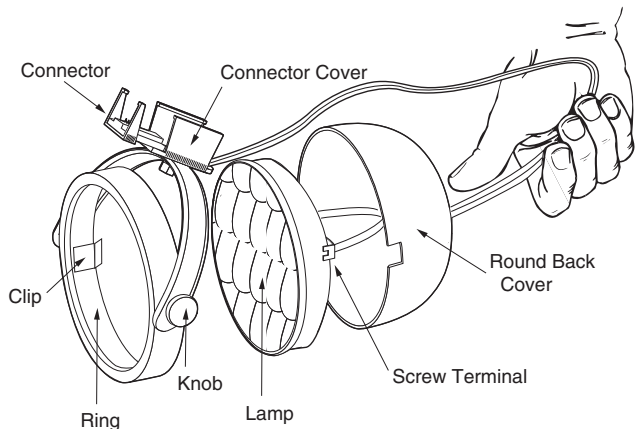


INSTALLATION INSTRUCTIONS LOW VOLTAGE TRACK FIXTURE

Document	CI143X02R0	Date	05/19/10
Drawing/Page	JAD	DCR#	10-162



FIGURE 1



CAUTIONS

1. To avoid the possibility of electrical shock, turn off power supply before installation or servicing.
2. For use with low voltage lighting systems.
3. When installing in a display cabinet, no more than 100 total watts may be used at the required fixture spacings. Maximum single-fixture wattage cannot exceed 50 watts. See Table I for layout requirements. The cabinet size must not be smaller than 54" wide x 12" deep x 24" (1372 mm x 305 mm x 610 mm) high. Higher wattages, more fixtures, closer spacings, or smaller cabinet dimensions could result in fire.
4. If wiring through building structure, consult qualified electrician for Class I wiring requirements.

NOTES

1. This carton contains fixture, pigtail wire with connector, and connector cover.
2. When attaching fixtures to 2-circuit systems, alternate direction of connectors on cable for every other fixture to balance electrical load. See Figure 2.
3. Calculate load on each circuit using total watts. Do not use number of fixtures.

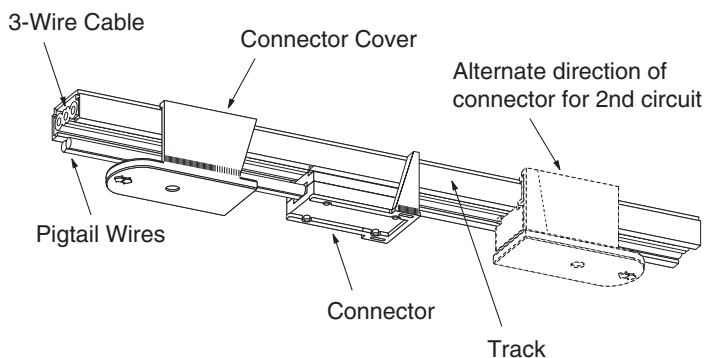
TABLE I

DISPLAY CABINET LAYOUT REQUIREMENTS (FIGURE 3)

LAMP WATTAGE	MAXIMUM FIXTURE QUANTITY	MINIMUM FIXTURE SPACING (B)	MINIMUM DISTANCE TO WALL (A)	MIN. INSIDE CABINET DIM.
25W	4	12" (305 mm)	9" (229 mm)	D=24", H=12", W=54"
35W	2	18" (457 mm)	9" (229 mm)	D=24", H=12", W=54"
50W	2	24" (610 mm)	15" (381 mm)	D=12", H=24", W=54"
75W	0	-	-	-

12"=305 mm, 24"=610 mm, 54"=1372 mm

FIGURE 2



LAMP INSTALLATION

1. Reference Figure 1 for steps 2–6 below.
2. Remove round back cover from ring by pulling on leads exiting back of cover.
3. Insert terminal spades into screw terminals on back of lamp and tighten leads.
4. Snap lamp under clips in ring.
5. Slide rounded back cover over back of lamp by aligning notches on back cover with clips on ring and snap into place.
6. Loosen knob on side of ring and adjust lamp to proper angle.

MOUNTING

1. Reference Figure 2 for steps 2–5 below.
2. Route pigtail wires with connector to power cable/track.
3. Attach connector to cable/track in desired location and press down piercing cable with connector pins.
4. Slide connector cover (at top of ring of fixture) over connector.
5. Readjust lamp to desired angle. See Figure 1.

FIGURE 3

