

INSTALLATION INSTRUCTIONS LOW VOLTAGE LANDSCAPE

Document	CI154X02R0	Date	05/20/10
Drawing/Page	JAD	DCR#	10-162



FIGURE 1

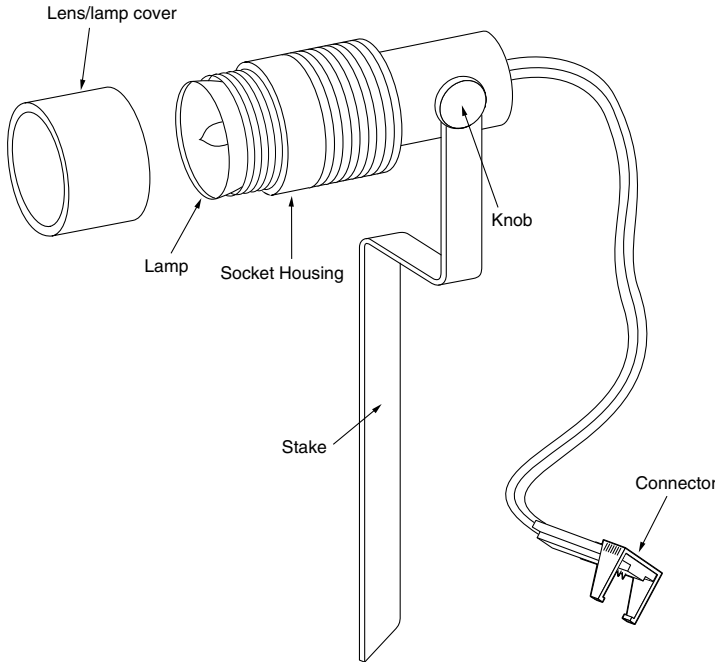
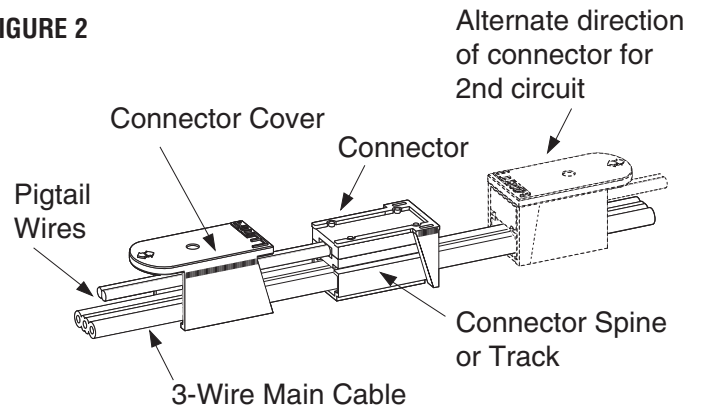


FIGURE 2



CAUTIONS

1. To avoid the possibility of electrical shock, turn off power supply before installation or servicing.

NOTES

1. This carton contains: fixture, pigtail wires with connector and connector cover.
2. Calculate load on each circuit using total watts. Do not use number of fixtures. Do not exceed rated load on each circuit.

LAMP INSTALLATION - FIGURE 1

1. Insert lamp into socket by aligning two pins in back of lamp with two holes in socket.
2. Push lamp and socket as far into socket housing as possible.
3. Screw Lens/lamp cover onto socket housing.

MOUNTING

1. Place fixture in desired location and push stake into ground to desired height
2. Tilt fixture by loosening knob, adjusting tilt angle and retightening knob.

ELECTRICAL CONNECTION - FIGURE 2

1. Route pigtail wires with connector to power cable.
2. Place connector spine on power cable so that opening of spine faces up.
3. Align connector with spine and press down, piercing cable with connector pins.
4. Slide cover in place over connector.
5. When attaching fixtures, care must be taken to balance electrical load. To do this on a 3-wire cable, alternate direction of connectors on power cable for every other fixture (connector pins will pierce opposite side of 3-wire cable). See **Figure 2**. For a 2-wire system, connect roughly the same amount of wattage per cable.