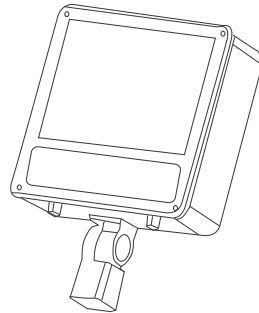


# INSTALLATION INSTRUCTIONS

## E-HS Series

Document:	CI296X01R5	Date:	2016-02-05
Created By:	TMT	ECO#:	005740



E-HS Series

### CAUTIONS

## IMPORTANT SAFEGUARDS

When using electrical equipment, basic safety precautions should always be followed including the following:

## READ AND FOLLOW ALL SAFETY INSTRUCTIONS

- DANGER**- Risk of shock- Disconnect power before installation.  
*DANGER – Risque de choc – Couper l'alimentation avant l'installation.*
- This luminaire must be installed in accordance with the NEC or your local electrical code. If you are not familiar with these codes and requirements, consult a qualified electrician.  
*Ce produit doit être installé conformément à NEC ou votre code électrique local. Si vous n'êtes pas familier avec ces codes et ces exigences, veuillez contacter un électricien qualifié.*
- Proper grounding is required to ensure personal safety.
- This fixture is for outdoor use and should not be used in areas with limited ventilation or high ambient temperatures. Fixture should not be recessed.
- 150°C supply wire required.

## SAVE THESE INSTRUCTIONS FOR FUTURE REFERENCE

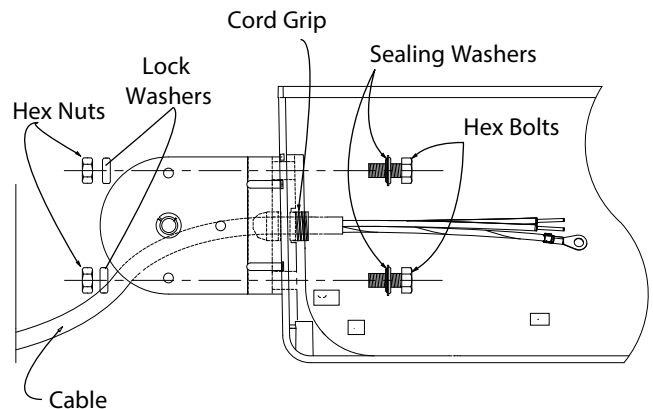
### Notes:

- Mounting bolts which hold the U-BRACKET and the Adjustable fitter to the housing should be tightened to 132 in. lbs (15 N•m) using a torque wrench.
- The Fitter bolt holding the two halves of the adjustable fitter together should be tightened to 230 in. lbs. with a torque wrench.

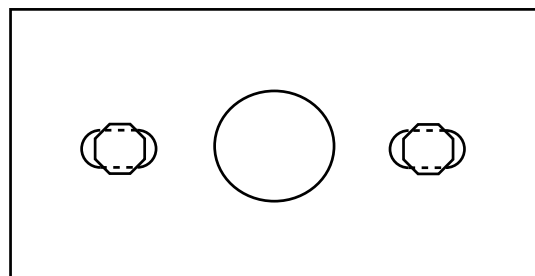
## MOUNTING (U-BRACKET)

- Open lens frame and remove ballast cover.
- Insert the hex bolts with sealing washers through the housing and the U-bracket.  
**IMPORTANT:** When installing sealing washers make sure the rubber side is facing the inside of the fixture housing wall.
- Secure U-bracket to housing with (2) 5/16" hex nuts and lockwashers (as shown in **Figure 1**). Tighten to 132 in. lbs (15 N•m).
- Insert cord thru cord grip so that the leads with the ground lug extend from the threaded side of the cord grip by 4" or as needed to reach ground lug in fixture. Tighten cord grip firmly to cord.
- Insert cord into fixture and fasten cord grip to housing as shown in **Figure 1**.
- Connect cord ground wire to fixture ground. Connect cord white wire to ballast common wire. Connect cord black wire to appropriate ballast voltage tap wire. (See wiring instructions section below.)  
**NOTE:** Use supplied 150°C wire nuts to make all electrical connections within the fixture.
- Reattach ballast cover and install lamp. Refer to steps 4 and 5 of the lamp installation instructions for lens frame closure.
- Mount fixture using two 3/8" (10 mm) bolts appropriate for mounting surface. See **Figure 2**.
- Complete wiring to power source and ground (refer to wiring instructions).
- Use the locking screw provided to secure the U-bracket in a fixed position, being sure to line up a set of locking holes in both brackets. Securely tighten both bolts on sides of U-bracket.

Figure 1 — U-Bracket Mounting



TEMPLATE 2 — Mounting to Surface



# INSTALLATION INSTRUCTIONS

## E-HS Series

Document:	CI296X01R5	Date	2016-02-05
Created By:	TMT	ECO#	005740

### TO AIM FIXTURE (U-BRACKET)

1. Loosen side bolts and remove locking screw.
2. Adjust fixture to desired angle, being sure to line up a set of locking holes in both brackets.
3. Insert locking screw into a matching set of holes and tighten. Securely tighten both bolts on sides of U-bracket.

### MOUNTING (ADJUSTABLE FITTER)

1. Open lens frame and remove ballast cover.
2. Remove splice compartment cover from fitter.
3. Attach the fitter to the fixture housing with two bolts. Make sure to place gasket between fitter and housing. Tighten bolts to 132 in. lbs. (15 N•m) with a torque wrench.
4. Route fixture leads through fitter and into splice compartment.
5. Slip lower fitter over pipe or tenon and securely tighten both set screws.
6. Complete the wiring to the power source and ground (refer to wiring instructions) inside splice compartment.
7. Reattach splice compartment cover and ballast cover, install lamp.
8. Refer to steps 4 and 5 of the lamp installation instructions for lens frame closure.

### TO AIM FIXTURE (ADJUSTABLE FITTER)

1. With splice compartment cover removed, loosen fitter bolt
2. Adjust fixture to desired angle.
3. Retighten fitter bolt ensuring that the upper and lower fitters are engaged. Tighten fitter bolt to 230 in. lbs. with a torque wrench.
4. Replace splice compartment cover.

### MOUNTING (FIXED ARM)

1. Open lens frame and remove ballast cover.
2. Screw threaded rods through holes in pole into backing plate inside pole until non-threaded section of rod contacts pole wall.
3. Insert cord thru cord grip so that the leads with the ground lug extend from the threaded side of the cord grip by 4" or so as needed to reach ground lug in fixture. Tighten cord grip firmly to cord.
4. Insert cord into fixture and fasten cord grip to housing.
5. Wire cord to fixture using supplied wire nuts (refer to wiring instructions).
6. Slide fixed arm extrusion over threaded rods so that the rods rest in fixed arm extrusion bosses, and feed cord through fixed arm extrusion into pole.
7. Align mounting holes of fixture with exposed end of threaded rod and push fixture flush with the fixed arm extrusion.

### WIRING

1. Determine the supply voltage the fixture will be connected to. (For multi-tap ballasts this will be 120V, 208V, 240V or 277V.)
2. The fixture is factory set to the highest voltage. If another voltage is desired, remove the wire nut from the voltage lead desired and place the wire nut on the voltage lead that will not be used.  
**NOTE:** all leads are appropriately identified with either labels or have printing on the insulation of the leads.
3. Connect the desired voltage lead (120V, 208V, 240V or 277V) from the fixture to the voltage supply lead.
4. Connect the lead from the fixture labeled (Com) to the Common supply lead.
5. Connect the supply ground to the fixture ground wire.
6. Insulate all unused leads.

**NOTE:** All units are factory set for the highest voltage. Make sure the supply voltage is compatible with the fixture. A Qualified Electrician should do all work.

### LAMP INSTALLATION

1. Make sure fixture and lamp are cool before touching.
2. Open frame by unscrewing the four screws on the lens frame.
3. Remove old lamp and replace with correct lamp. **Lamps are not interchangeable! Make sure you replace with exact type and wattage of original lamp.**
4. Before closing hinged lens, make sure frame gasket is properly seated all around fixture.
5. Close door and tighten screws in original position. Do not over tighten the screws as they only need to be snug to give weather-tight seal.