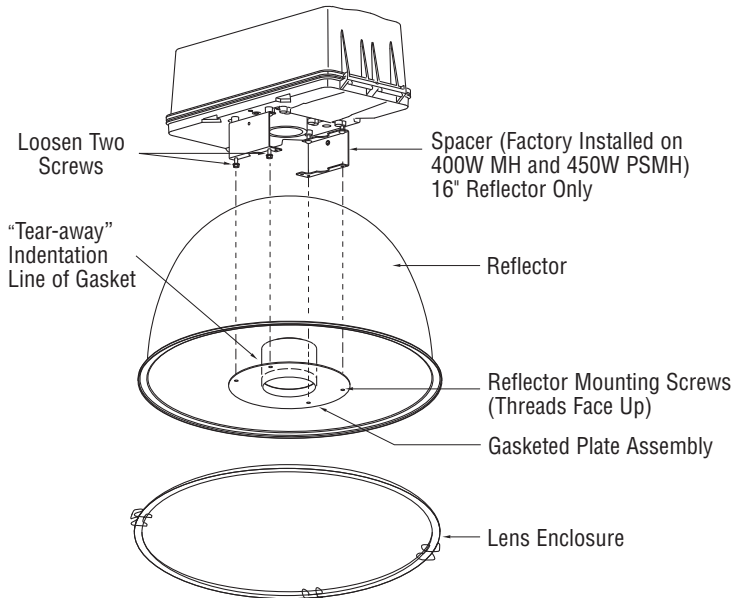


INSTALLATION INSTRUCTIONS LENS INSTALLATION E-LENSHB

Document	CI308X19R0	Date	08/02/10
Drawing/Page	JAD	DCR#	10-162



FIGURE 1



CAUTIONS

IMPORTANT SAFEGUARDS

When using electrical equipment, basic safety precautions should always be followed including the following:

READ AND FOLLOW ALL SAFETY INSTRUCTIONS

1. To avoid the possibility of electrical shock, turn off power supply before installation or servicing.
2. Use of Safety Cable or Chain is recommended.
3. In continuously operating Metal Halide systems (24 hours/day, 7 days/week), turn lamps off once per week for at least 15 minutes. Failure to comply increases the risk of violent lamp failure.
4. Properly attach reflector to ballast housing module before applying voltage.

SAVE THESE INSTRUCTIONS

MOUNTING GASKETED PLATE ASSEMBLY (NECK)

Asymmetrical enclosure plate (with silicone gasket) is shipped with four screws pre-assembled in plate. Cylindrical section of gasket is not centered on plate. Install assembly from inside of reflector (rubber gasket on top of metal plate) as shown in **Figure 1**.

1. Remove four pre-assembled screws: two from bottom of lamp holder neck housing or from bottom of spacer and two from the top of reflector.
2. With screw threads and silicone cylindrical section of gasket facing up, insert plate assembly into reflector.
3. Insert two screws on short side of enclosure plate through notched holes in top of reflector, and align with outside holes on shorter arms of lamp holder neck housing. Short side of plate needs to align with notched holes on top of reflector for holes to line up. Enclosure plate attaches to neck housing from inside the reflector (rubber gasket on top of metal plate).
4. Insert remaining two screws of plate into other two holes in reflector, and align with two outside holes on lamp holder neck housing.
5. Tighten all four screws to secure reflector to lamp holder neck housing.
6. Insert lamp into lamp holder through cylindrical section of gasket.
7. If necessary, adjust lamp holder according to **Distribution Table 1**.

DISTRIBUTION - ADJUSTMENT SETTINGS - TABLE 1

Reflector	Narrow	Medium	Wide
E-R-A	10	7	2