

**INSTALLATION INSTRUCTIONS**  
**HJ SERIES**  
**WIRE GUARD/DEEP BAFFLE/GLARE SHIELD**

Document	CI308X34R0	Date	08/03/10
Drawing/Page	JAD	DCR#	10-162



**CAUTIONS**

1. To avoid the possibility of electrical shock, turn off power supply before installation or servicing.

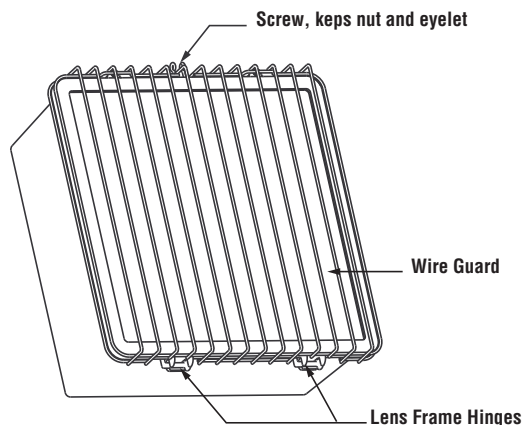
**NOTES**

1. It is **NOT** necessary to remove accessories in order to open lens frame.

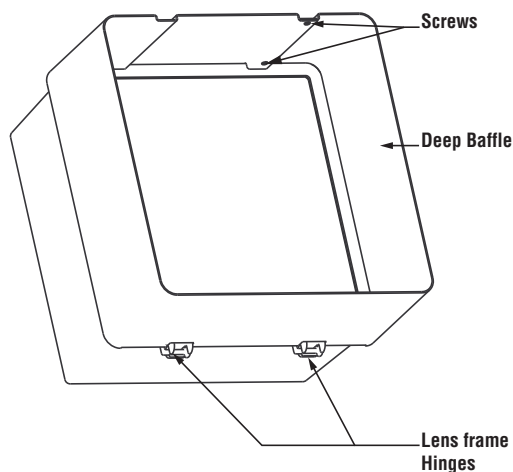
**WIRE GUARD INSTALLATION**

1. Loosen stainless steel keps nut on screw holding wire guard together. Screw is held onto one eyelet of wire guard with screw retainer.
2. Carefully stretch wire guard by separating two eyelets approximately 3" (76 mm) apart. (This eases installation over lens frame). Place wire guard over hinges of lens frame on fixture. **See Figure 1.**
3. Stretch wire guard over rest of lens frame until entire wire guard snaps onto frame. Lens frame fits between parallel bars of wire guard.
4. Make sure screw holding wire guard together goes through both eyelets of wire guard. Replace keps nut onto screw and tighten.

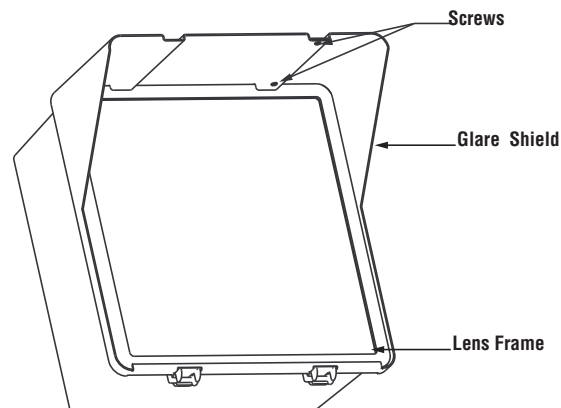
**FIGURE 1 - Wire Guard**



**FIGURE 2 - Deep Baffle**



**FIGURE 3 - Glare Shield**



**DEEP BAFFLE AND GLARE SHIELD INSTALLATION**

1. With fixture lens frame open, place accessory over hinges of lens frame on fixture. **See Figure 2 or 3.**
2. Secure lip on accessory under lens frame, hinge side first then under front of lens frame.
3. Fasten (2) screws (provided in bag) to baffle and glare baffle.