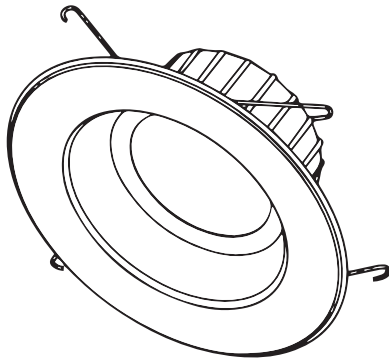


# INSTALLATION INSTRUCTIONS

## 5" & 6" RECESSED LED DOWNLIGHT

Document:	CI308X38R3	Date	2013-10-28
Created By:	TMT	DCR#	2013-378



Height = 2.75" (70mm)  
Width = 7.5" (190.5mm)

**E-T6C**

### CAUTIONS

#### IMPORTANT SAFEGUARDS

When using electrical equipment, basic safety precautions should always be followed including the following:

#### READ AND FOLLOW ALL SAFETY INSTRUCTIONS

- Risk of Fire or Electric Shock.** LED Retrofit Kit installation requires knowledge of luminaires electrical systems. If not qualified, do not attempt installation. Contact a qualified electrician.
- Risk of Fire or Electric Shock.** Supply conductors (power wiring) connecting the fixture must be rated minimum 90°C. If uncertain, consult an electrician.
- Risk of Electric Shock.** Disconnect power at fuse or circuit breaker before installing or servicing.
- Risk of Fire or Electric Shock.** Install this kit only in the luminaires that has the construction features and dimensions shown in the photographs and/or drawings.
- Risk of Fire or Electric Shock.** Do not make or alter any open holes in an enclosure of wiring or electrical components during kit installation.
- Risk of Fire or Electric Shock.** Do not alter, relocate, or remove wiring, lamp holders, power supply, or any other electrical component.
- Risk of Fire or Electric Shock.** To prevent wiring damage or abrasion, do not expose wiring to edges of sheet metal or other sharp objects.

**SAVE THESE INSTRUCTIONS FOR FUTURE REFERENCE**

**Caution:** To avoid possible electric shock, be sure that power supply is turned off at fuse box or circuit breaker before attempting installation or servicing of the fixture. For safest operation read and become familiar with complete installation instructions prior to use.

**Note:** This luminaire has been modified and can no longer operate the originally intended lamp. The provided label must be applied to the retrofitted luminaire where visible during re-lamping.

### COMPATIBLE HOUSINGS

E-conolight's E-T6C 5" and 6" Recessed LED Downlight will work with most 5 inch and 6 inch housings. The E-T6C 5" & 6" Recessed LED Downlight has a built in trim and does not require any additional trim. Use in recessed housings with no open holes. This LED retrofit kit is intended for installing in the field in recessed IC and NON-IC type luminaires with dimensions outlined in the installation instructions. Minimum height for 6 inch cans is 7.5 in. (19cm). Minimum height for 5 inch cans is 7.75 in. (19.6cm).

Suitable for wet locations in covered ceiling mount luminaires. The retrofit kit is accepted as a component of a luminaire where the suitability of the combination shall be determined by CSA of authorities having jurisdiction.

### USE OF DIMMERS

The 5 and 6 inch luminaire can be dimmed with most standard dimmers. To ensure your dimmer is compatible, please consult the dimmer manufacturer and reference the most current E-T6C 5" & 6" Recessed LED Downlight specification data at our website: [www.e-conolight.com](http://www.e-conolight.com).

### INCLUDED COMPONENTS

- E-T6C retro-fit module
- Edison base lamp holder adaptor
- GU24 base lamp holder adaptor (if equipped)
- Retro-fit sticker
- Installation instructions

### INSTALLATION

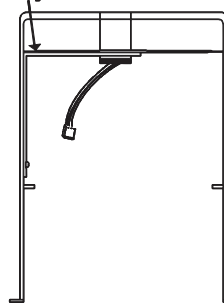
The E-T6C 5" & 6" Recessed LED Downlight is designed to fit into a 5" or 6" housing with torsion spring receiving brackets. For use in a 5" housing simply compress the torsion spring arms inward (**Fig. 1 and 2**) until torsion springs line-up with mounting brackets. Torsion spring arms serve as grounding connection. No tools are necessary for installation.

Minimum housing heights for 5" = 7.75 in. (19.6 cm). Minimum housing heights for 6" = 7.5 in (19 cm)

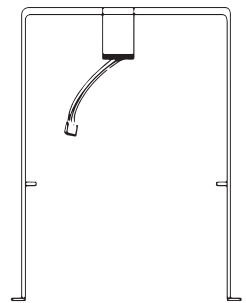
**NOTE:** E-T6C 5" & 6" Recessed LED Downlight is to be installed only for its intended use as a downlight and only in 5" and 6" recessed housing locations. Do not make or alter any open holes in an enclosure of wiring or electrical components during kit installation.

FIGURE 1

*Mounting bracket and plate*



*Cutaway of housing with Socket Mounting Bracket and Plate.*



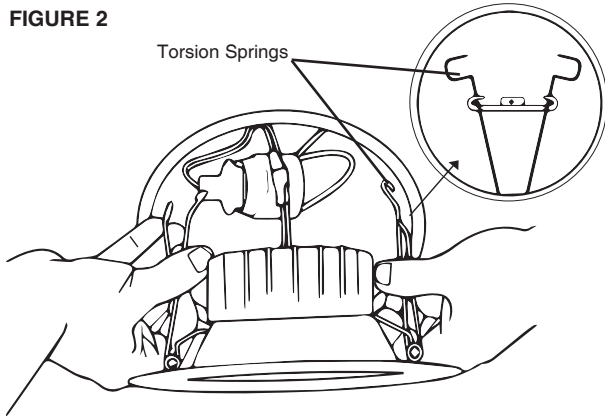
*Cutaway of housing without Socket Mounting Bracket and Plate.*

# INSTALLATION INSTRUCTIONS

## 5" & 6" RECESSED LED DOWNLIGHT

Document:	CI308X38R3	Date	2013-10-28
Created By:	TMT	DCR#	2013-378

FIGURE 2



### REMOVING RECESSED LED DOWNLIGHT

1. With fingertips, pull down firmly on trim ring until module stops.
2. Squeeze torsion springs together to remove LED module.
3. Disconnect LED module wiring from recessed can (LED Connector or screw-in Edison base).

### INSTALLATION OF RECESSED LED DOWNLIGHT INTO RECESSED CAN

1. Remove socket mounting bracket and plate from inside existing recessed housing (if installed) (**Fig.1**).
2. Remove socket from plate and discard plate. Attach "NOTICE" label to the retrofitted luminaire where visible during re-lamping.
3. Screw Edison base into socket in recessed housing (**Fig. 3 and 4**). If using GU24 base for Title 24, or similar, compliance attach it into GU24 socket in recessed housing instead.
4. Plug the fixture connector into the Edison (or GU24) base.
5. Squeeze the E-T6C 5 and 6 inch torsion springs together (one on each side) where indicated and install into torsion spring brackets inside recessed housing (**Fig. 2**).
6. Carefully route wires into housing and push module up flush to ceiling surface.

FIGURE 3

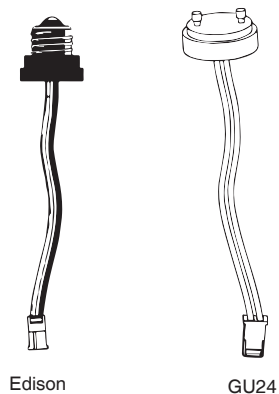
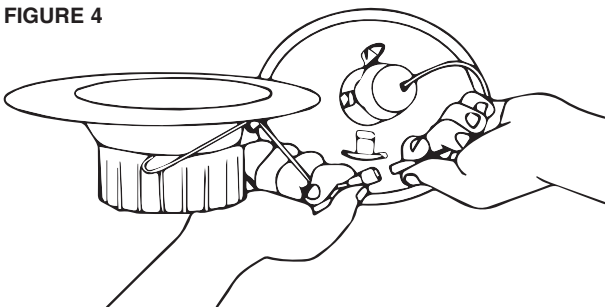


FIGURE 4



# INSTALLATION INSTRUCTIONS

## 5" & 6" RECESSED LED DOWNLIGHT

Document:	CI308X38R3	Date	2013-10-28
Created By:	TMT	DCR#	2013-378

### 5 YEAR LIMITED CONSUMER WARRANTY FOR E-CONOLIGHT 5" & 6" LED RECESSED RETROFIT KIT

**Limited Warranty:** E-conolight warrants to the original purchaser (the "Buyer") of the E-conolight 5" & 6" LED Recessed Retrofit Kit (the "Product") packaged with this limited warranty, that the Product will be free from material defects in workmanship and materials under normal use and service and conform to E-conolight's written specifications. This limited warranty extends for a period of five (5) years from the date of your original retail purchase of the Product (the "Warranty Period"). There is NO WARRANTY in cases of damage to the Product in transit or damage caused by your negligence; abuse; abnormal usage; misuse; accidents; damage due to environmental, corrosive or natural elements; improper power supply; failure to follow E conolight's instructions or applicable electrical codes; improper installation, storage or maintenance; damage due to acts of God; fire; vandalism; civil disturbances; power surges; alteration; mishandling; and incorrectly or improperly performing maintenance or repair by someone other than E conolight or its authorized service provider.

**Remedy:** If the Product proves defective during the Warranty Period and you follow the Product return procedures set forth below, E conolight will in its sole discretion, as its sole and exclusive obligation under this warranty, refund you the purchase price of the Product, repair the Product or replace the Product without charge, F.O.B. E conolight's designated facility. Proof of original purchase date (e.g., sales receipt or original invoice) is required for this limited warranty to apply.

**E CONOLIGHT SHALL NOT BE LIABLE TO BUYER, OR TO ANYONE CLAIMING UNDER BUYER, FOR ANY OTHER OBLIGATIONS OR LIABILITIES, INCLUDING, BUT NOT LIMITED TO, OBLIGATIONS OR LIABILITIES ARISING OUT OF BREACH OF CONTRACT OR WARRANTY, NEGLIGENCE OR OTHER TORT OR ANY THEORY OF STRICT LIABILITY, WITH RESPECT TO THE PRODUCTS OR E CONOLIGHT'S ACTS OR OMISSIONS OR OTHERWISE.** This limited warranty does not cover the cost of field labor or expenses related to the repair or replacement of the Product.

E-conolight reserves the right to utilize new, reconditioned, refurbished, repaired or remanufactured products or parts in the warranty repair or replacement process. Such products and parts will be comparable in function and performance to an original product or part, as determined by E-conolight in its sole discretion, and warranted for the remainder of the original warranty period. E conolight reserves the right to modify this warranty from time to time. Any modification of this warranty shall be effective for all orders placed with E-conolight on or after the effective date of such revised warranty.

This limited warranty applies only to a Product purchased within the United States (including the lower 48 states, the District of Columbia, Hawaii, Alaska, Puerto Rico and the U.S. Virgin Islands, but excluding APO/FPO addresses that are outside of those named jurisdictions) (collectively, the "Territory"). Replacement and repaired Product or parts will only be shipped to addresses within the Territory, and refunds will only be credited to accounts located within the Territory.

**Making a Warranty Claim:** Notice of any warranty claim should be sent to E conolight at the following address: 1501 96th Street, Sturtevant, WI 53177 or you may call E-Conolight at (888) 243-9445 to receive a RGA# and instructions for return of the Product, freight prepaid.

**Further Limitations: TO THE EXTENT PERMITTED BY LAW, THE LIMITED WARRANTY AND REMEDIES SET FORTH ABOVE ARE EXCLUSIVE AND IN LIEU OF ALL OTHER WARRANTIES AND REMEDIES (INCLUDING WITHOUT LIMITATION, ANY IMPLIED WARRANTIES OF MERCHANTABILITY OR FITNESS FOR A PARTICULAR PURPOSE). IF WE CANNOT LAWFULLY DISCLAIM STATUTORY OR IMPLIED WARRANTIES, THEN TO THE EXTENT PERMITTED BY LAW, ALL SUCH WARRANTIES WILL BE LIMITED IN DURATION TO THE DURATION OF THIS EXPRESS LIMITED WARRANTY AND TO REFUND, REPAIR OR REPLACEMENT SERVICE AS DETERMINED BY E-CONOLIGHT IN ITS SOLE DISCRETION.** Some states do not allow limitations on how long an implied warranty lasts, so the above limitation may not apply to you.

**IN NO EVENT SHALL E CONOLIGHT BE LIABLE FOR INCIDENTAL, COMPENSATORY, CONSEQUENTIAL, INDIRECT, SPECIAL OR OTHER DAMAGES. E CONOLIGHT'S AGGREGATE LIABILITY WITH RESPECT TO A DEFECTIVE PRODUCT SHALL BE LIMITED TO THE MONIES PAID TO E CONOLIGHT FOR THAT DEFECTIVE PRODUCT.** Some states do not allow the exclusion or limitation of incidental or consequential damages, so the above limitation or exclusion may not apply to you.

This limited warranty gives Buyer specific legal rights, and Buyer may also have other rights which vary from state to state.