

# INSTALLATION INSTRUCTIONS E-CONOLIGHT E-WP SERIES

Document: CI308X39R2  
Created By: A.JB

Date: 2011-11-21  
DCR#: 11-078



## CAUTIONS:

### IMPORTANT SAFEGUARDS

When using electrical equipment, basic safety precautions should always be followed including the following:

### READ AND FOLLOW ALL SAFETY INSTRUCTIONS

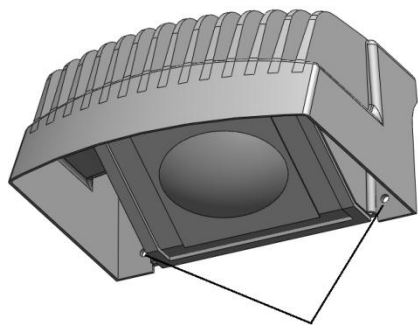
1. To reduce the risk of electrical shock, turn off power supply before installation or servicing.
2. This luminaire must be installed in accordance with the NEC and your local electrical code. If you are not familiar with these codes and requirements, consult a qualified electrician.
3. Do not recess the fixture.
4. Mount as down-light only.
5. Conduit holes must be sealed with conduit plugs.
6. Seal the fixture mounting surface with high quality waterproof silicone sealant.
7. For supply wire temperature rating, refer to fixture label.

### SAVE THESE INSTRUCTIONS FOR FUTURE REFERENCE

#### MOUNTING TO JUNCTION BOX

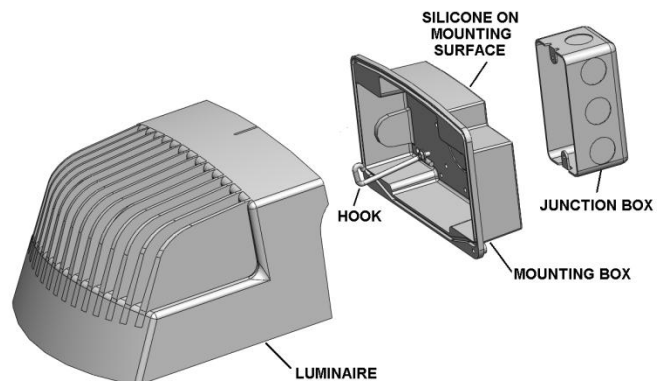
1. Remove the two screws securing the Mounting Box to the fixture. **See Figure 1.**  
**NOTE:** Do not remove lens frame from the luminaire.

FIGURE 1



2. Position the Mounting Box over the junction box, **see Figure 2**, and remove the appropriate mounting screw and wire-way knock-outs in the back of Mounting Box to match the junction box. Apply waterproof silicone to mounting surface.
3. Route supply wires through the wire-way and secure the fixture Mounting Box to the junction box with junction box screws.
4. Locate the hook inside of the mounting box (**See Figure 2**) and pull it down. The fixture can be hung on the hook while electrical connections are made.

FIGURE 2



5. Complete the wiring to the incoming power and ground (see **Electrical Connections**). Remove the fixture from the hook and reposition the hook back inside the mounting box.
6. Slide the fixture over the mounting box ensuring all wires are within the mounting box and secure the fixture with the two screws removed in Step 1.

#### DIRECT MOUNTING USING CONDUIT

1. Remove the two screws securing the Mounting Box to the fixture. **See Figure 1**
2. Remove the appropriate mounting screw knock-outs and apply water proof silicone on mounting surface. Secure Mounting Box to the mounting surface using customer supplied mechanical fasteners.
3. Locate the hook inside of the mounting box (**See Figure 2**) and pull it down. The fixture can be hung on the hook while electrical connections are made.
4. Remove the conduit plug from the direction you intend to feed conduit and attach customer supplied conduit, using a sealing compound at threads.
5. Complete the wiring to the incoming power and ground (see **Electrical Connections**). Remove the fixture from the hook and reposition the hook back inside the mounting box.
6. Slide the fixture over the mounting box ensuring all wires are within the mounting box and secure the fixture with the two screws removed in Step 1.

#### ELECTRICAL CONNECTIONS

1. Using customer supplied 90°C minimum rated wire connectors, make the following electrical connections in the mounting box or junction box.
  - a. Connect the black fixture lead to the voltage supply lead
  - b. Connect the white fixture lead to the neutral supply lead
  - c. Connect the green or green/yellow ground lead to the supply ground lead.