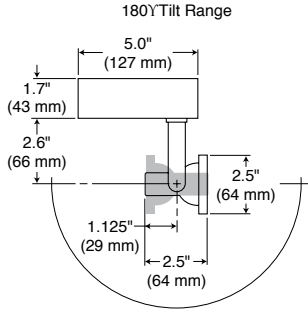


NOTCH BACK LOW VOLTAGE TRACK (E-KNB SERIES)

Applications: For general purpose track lighting in indoor commercial, retail, or industrial applications.



E-KNB1E*



| Catalog # | Description | Voltage | Lamp (not included) | Transformer | Aiming |
|------------|--|----------------------------|---------------------|---|---|
| E-KNB1E(*) | Notch back track fixture with choice of finish | 12V Low voltage Halogen | MR16 Max. 75W | External solid-state electronic dimmable | Tilt: Approx. 180° Rotation: 358° Adjustability: vibration resistant internal locknut, no tools required |

(*) Specify finish color. K=Black, W=White

Performance

- 1-year limited warranty

Construction & Materials

- Die-cast aluminum housing.
- Polyester powder coated finish
- Single yoke has internal locknut to secure aiming.
- Comes standard with a clear glass shield that is held securely in place with two clips.
- Relamped by removing the front face of the fixture head (no tools required)
- Compatible with 1 or 2 circuit track

Electrical

- 10W minimum lamp wattage required for standard operation;
20W minimum lamp wattage required for dimmed operation

Regulatory

- UL and cUL Listed
- Suitable for dry locations

NOTE: If dimming fixtures with electronic transformers, you must use a dimmer rated for use with electronic transformers.
NOTE: Most dimmers that are rated for dimming electronic transformers require neutral connection at the dimmer.

Mounting

- UL Listed for use with existing Ruud Lighting T1 & T2 and Juno® T & TU systems (not affiliated with e-conolight)



Due to continuous product improvement, information in this document is subject to change. All published photometric testing performed to IESNA LM-79-08 standards by a NVLAP certified laboratory. Fixture photometry was completed on a single representative fixture. Actual production units may vary up to ±10% of initial delivered lumens. Lumen maintenance values at 25°C (77°F) are calculated per TM-21 based on LM-80 data and in-situ fixture testing.

1501 96th Street, Sturtevant, WI 53177 | Phone (888)243-9445 | Fax (262)504-5409 | www.e-conolight.com