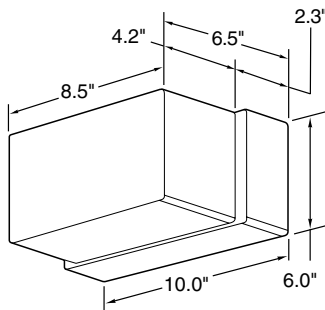


**Applications:** Security, pathway and perimeter lighting; ideal for entry ways and walkways.  
**Typical Mounting Height:** 8 to 15 feet **Typical Spacing:** 2 to 3 times the mounting height

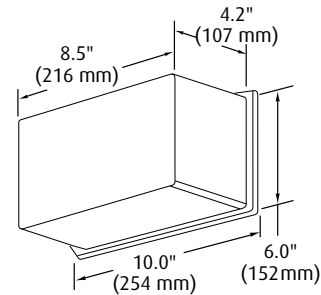
PRODUCTS THAT MEET **BUY AMERICAN**  
 REQUIREMENTS WITHIN ARRA  
 ARE DESIGNATED BY THIS SYMBOL.



**70W HID, 42W CFL**  
**Dimensions:** 10.0" L x 6.0" W x 6.5" D  
 One lamp included  
 (Fluorescent lamp ordered separately)



**60W Incandescent**  
**Dimensions:** 10.0" L x 6.0" W x 4.5" D  
 Lamp sold separately



Catalog #	Description	Ballast	Lamp Base	Lamp	Weight	Initial Delivered Lumens	Lamp Color Rendition
E-SR8M07Q(*)	70-watt Pulse Start Metal Halide (PSMH)	120/208/240/277-volt HX ballast HPF	E26	Clear, medium base	10.3 lbs.	5600	65 CRI
E-SR8H07Q(*)	70-watt High Pressure Sodium (HPS)	120/208/240/277-volt HX ballast HPF	E26	Clear, medium base	10.3 lbs.	6000	22 CRI
E-SR8F42U(*)	42-watt Compact Fluorescent (CFL)	120- to 277-volt Universal Electronic	-	Coated, GX24q-4 base	5.0 lbs.	3190	82 CRI
E-SR8L06I	60-watt Incandescent	120-volt	E26	-	2.65 lbs.	-	-

(\*) Specify finish color. Z=Dark Bronze, M=Medium Bronze

### Construction & Materials

- Durable die-cast aluminum housing (all but E-SR8I)
- Neoprene gasket on back of housing provides a watertight mounting seal
- Silicone rubber seal between housing and lens ensures a watertight seal
- Steel fixture mounting bar and threaded nipple provide direct mounting to recessed J-box
- Clear polycarbonate (acrylic for E-SRD) lens is fastened to housing with phillips-head captive stainless-steel screws
- Polished aluminum shroud and semi-specular reflector
- E-coat epoxy primer with five layers of protection
- Super durable medium- or dark-bronze powder topcoat

### Performance

- 5-year finish warranty
- 3-year fixture warranty
- 1-year lamp warranty

### Electrical

### Regulatory

- UL Listed
- Suitable for wet locations
- Assembled in the USA



E-SR8 Series fixture mounted  
at 12 feet with 0° tilt.

### Accessories

#### Surface Mounting Box



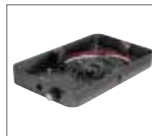
CAT.# E-SR/SMBZ  
(Dark Bronze)



CAT.# E-SR/SMBM  
(Medium Bronze)

Die-cast aluminum in medium or dark bronze finish. For use where surface wiring is required. Five tapped and plugged knockouts to feed 1/2" conduit. 10" x 6" x 1.25".

#### Surface Mounting Box with Photocell



CAT.# E-SR/SMB1ZP  
(Dark Bronze, 120V)



CAT.# E-SR/SMB1MP  
(Medium Bronze, 120V)

CAT.# E-SR/SMB2ZP  
(Dark Bronze, 208V-277V)

CAT.# E-SR/SMB2MP  
(Medium Bronze, 208V-277V)

Same as Surface Mounting Box but includes installed photocell.