

# E-WP6 Series

Premium LED Wall Pack - Small  
Replaces 100W PSMH

Average Customer Rating



---

### Premium | Full Cutoff

- Stylish modern design
- Reduced uplight for control of spill light

### Recommended Use

- Security
- Pathways
- Perimeter lighting
- When control of spill light is important

### Input Voltage

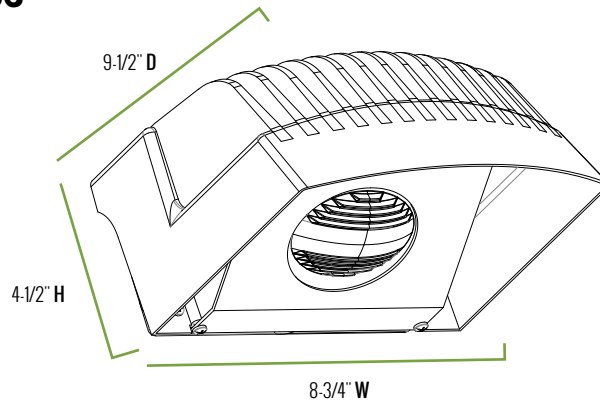
- Universal (120V through 277V Operation)

---

### Certifications



# E-WP6 Series



## Series Overview

DIMENSIONS	PRODUCT WEIGHT	MOUNTING HEIGHT	SPACING
9-1/2" D x 8-3/4" W x 4-1/2" H	7.0 lbs.	8 to 15 feet	1 to 2 times the mounting height

## Fixture Specifications

<b>HOUSING</b>	Low-copper, die-cast aluminum housing and lens frame Dark bronze polyester powder-coat finish
<b>LENS ASSEMBLY</b>	Fixed cutoff glare shield to reduce light pollution Tempered glass lens is thermal, shock & impact resistant Patented lens design delivers true IES Type III distribution
<b>MOUNTING</b>	1/2" threaded conduit entries on two sides and bottom or mount over recessed junction box Die-cast detachable back box for easy mounting

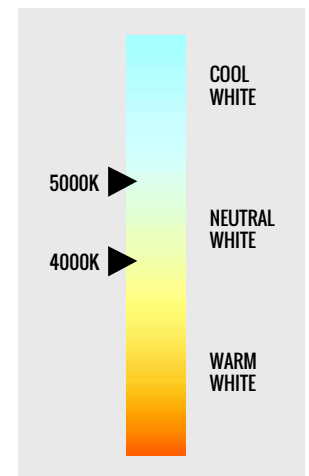
## Electrical Performance

OPERATING MINIMUM	LIFESPAN <small>L<sub>70</sub> AT 25°C (77°F)</small>	POWER FACTOR	TOTAL HARMONIC DISTORTION	DIMMABLE
-40°C (-40°F)	Estimated 50,000 Hours	> 0.9	< 20%	No
<b>INPUT VOLTAGE</b>	<b>120V</b>	<b>208V</b>	<b>240V</b>	<b>277V</b>
<b>Current Draw (Amps)</b>	0.31A	0.17A	0.15A	0.14A

## Warranty & Certifications

WARRANTY	UL LISTED	DLC	ENERGY STAR
5-Year Limited	Wet Locations	Yes	---

## CORRELATED COLOR TEMPERATURE (CCT)



## Output Specifications

SKU	LIGHT OUTPUT	COLOR TEMP <small>(See chart)</small>	POWER CONSUMPTION	COLOR ACCURACY	REPLACES
<b>E-WP6L03CZ</b>	3350 Lumens	Cool White (5000K)	36W	≥ 70 CRI	100W PSMH
<b>E-WP6L03NZ</b>	3350 Lumens	Neutral White (4000K)	36W	≥ 70 CRI	100W PSMH

Due to continuous product improvement, information in this document is subject to change.

Revision Date: 12/20/16

1501 96<sup>th</sup> Street, Sturtevant, WI 53177 | Phone (888) 243-9445 | Fax (262) 504-5409 | [www.e-conolight.com](http://www.e-conolight.com)



# E-WP6 Series

## Accessories



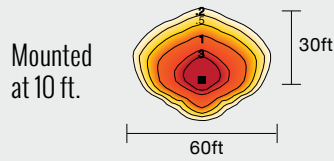
**Photocell - Button, 120V/208V/240V/277V**

**SKU: E-ACP1 (120V)**

**E-ACP2 (208V/240V/277V)**

**USE:** Photocell is field installed.  
Drilling of the back box in the field is required.

## Photometric Diagrams



All published photometric testing performed to IESNA LM-79-08 standards by a NVLAP certified laboratory. Fixture photometry was completed on a single representative fixture.