

## IMPORTANT SAFEGUARDS

When using electrical equipment, basic safety precautions should always be followed including the following:

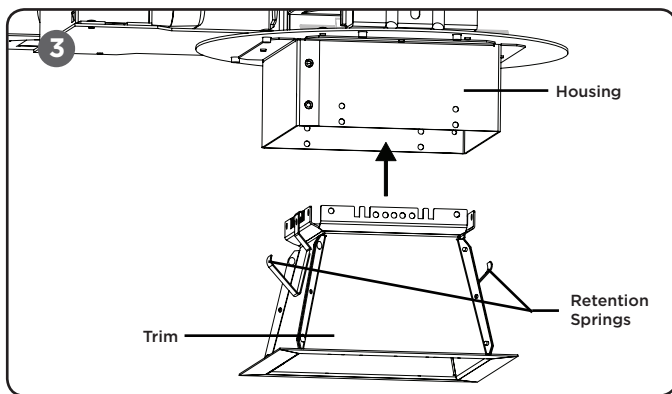
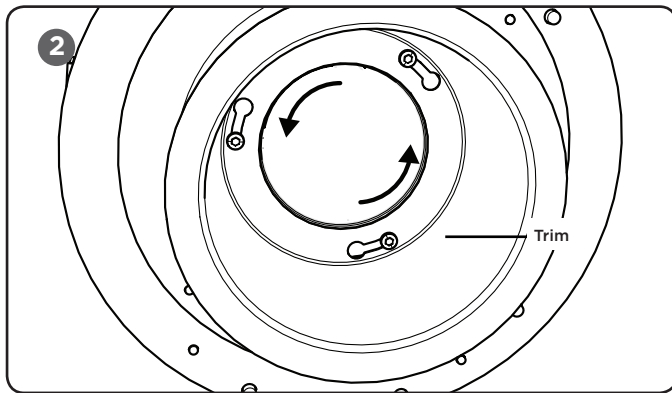
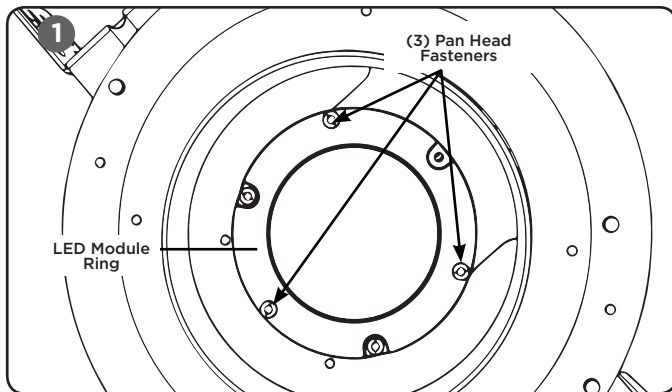
## READ AND FOLLOW ALL SAFETY INSTRUCTIONS

1. To reduce the risk of electrical shock, turn off power supply before installation or servicing.
2. This luminaire must be installed in accordance with the NEC or your local electrical code. If you are not familiar with these codes and requirements, consult a qualified electrician.

## SAVE THESE INSTRUCTIONS FOR FUTURE REFERENCE

## INSTALLATION INSTRUCTIONS

### TO INSTALL:



### INSTALLATION OF ROUND TRIM

#### STEP 1:

Insert the (3) supplied Pan Head Fasteners partially into the LED Module Ring. See **Figure 1**.

#### STEP 2:

Bring trim into housing and line up Pan Head Fasteners from Step 1, with the keyhole slots on the trim. See **Figure 2**.

#### STEP 3:

Rotate trim, turn counter clockwise and tighten the (3) Pan Head Fasteners from Step 1. See **Figure 2**.

### INSTALLATION OF SQUARE TRIM

#### STEP 1:

Slightly press the trim retention springs inward and push trim up into housing until it snaps into place. See **Figure 3**.

**NOTE:** Trim should be snug against ceiling.

#### TO REMOVE

#### STEP 1:

Pull down on trim flange until trim releases from fixture.