

# INSTALLATION INSTRUCTIONS E-T6G&H RECESSED DOWNLIGHT

Document:	LPN00309X0001A0_A	Date	2015-8-20
Created By:	TMT	DCR#	2015-217



## CAUTIONS

### IMPORTANT SAFEGUARDS

When using electrical equipment, basic safety precautions should always be followed including the following:

### READ AND FOLLOW ALL SAFETY INSTRUCTIONS

- DANGER**- Risk of shock- Disconnect power before installation.  
**DANGER** – *Risque de choc – Couper l'alimentation avant l'installation.*
- This luminaire must be installed in accordance with the NEC or your local electrical code. If you are not familiar with these codes and requirements, consult a qualified electrician.  
*Ce produit doit être installé conformément à NEC ou votre code électrique local. Si vous n'êtes pas familier avec ces codes et ces exigences, veuillez contacter un électricien qualifié.*
- This light is suitable for damp, wet locations  
*Convient aux emplacements humides ou emplacements mouillés.*
- WARNING** : Risk of fire or electric shock. Install these kits only in luminaires that have the construction features and dimensions shown in the illustrations (5" or 6" recessed housings). Confirm this before installation by checking the interior of the housing for a manufacturer's part number and specifications; or measure the diameter of the housing. The recessed housing must have a minimum measured inside diameter(opening) of 5 1/4" or 6 1/4"; maximum diameter 5 1/2" or 6 1/2"; minimum inside clearance of 5 3/4" or 6 3/4". See **Figure 1**.  
**ATTENTION** - *Risque d'incendie ou de choc électrique. Installez ce kit seulement dans les luminaires qui ont les caractéristiques de construction et les dimensions dans les photographies ou les dessins de la page suivante.*
- Do not make or alter any open holes in a wiring enclosure nor in any electrical components during kit installation!
- WARNING** : Risk of fire or electric shock. Kit installation requires knowledge of recessed lighting luminaires electrical systems. If not qualified, do not attempt installation. Contact a qualified electrician.  
**ATTENTION**- *Risque d'incendie ou de choc électrique. L'installation du kit exige la connaissance des systèmes électriques pour luminaires. Si non qualifié, ne tentez pas d'installation. Ce produit doit être installé conformément à NEC ou votre code électrique local. Si vous n'êtes pas familier avec ces codes et ces exigences, veuillez contacter un électricien qualifié.*
- WARNING** : Risk of fire or electric shock. The electrical rating of this product is 120V 60HzAc. The installer must determine whether power supply is 120V 60Hz AC at the luminaire before installation.
- WARNING** : Risk of fire or electric shock. Luminaire's wiring, ballast(s), or other electrical parts may be damaged when drilling for installation of reflector kit hardware. If drilling is required in any installation, check for enclosed wiring and components and be careful to protect them from any harm. To prevent wiring damage or abrasion, do not expose wiring to edges of sheet metal or other sharp objects.  
**ATTENTION** - *Risque d'incendie ou de choc électrique. Câblage électriques peuvent être endommagés lors du perçage pour l'installation du kit. Vérifier les fils et composants. Pour éviter les dégâts de câblage par l'abrasion, ne pas mettre en contact les fils électriques avec des bords détôle ou d'autres objets pointus.*

**SAVE THESE INSTRUCTIONS FOR FUTURE REFERENCE**

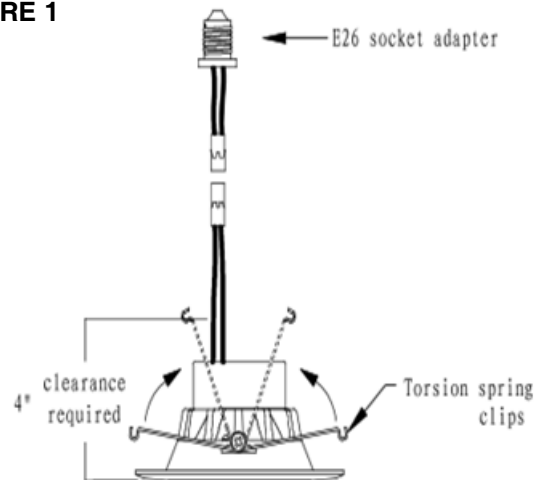
## Notes:

- Use with 5" or 6" recessed cans (recessed housing) only. Do not attempt to alter for other sizes or purposes.
- For best dimming results, use standard incandescent wall dimmers in a branch circuit that is supplied with 120V 60Hz AC power. Check dimmer manufacturer's specifications to confirm whether minimum loads apply.
- Each fixture includes a socket adapter for use with a standard 120V 60Hz medium (E26) base socket adapter, a pair of torsion spring clips. See **Figure 1**.

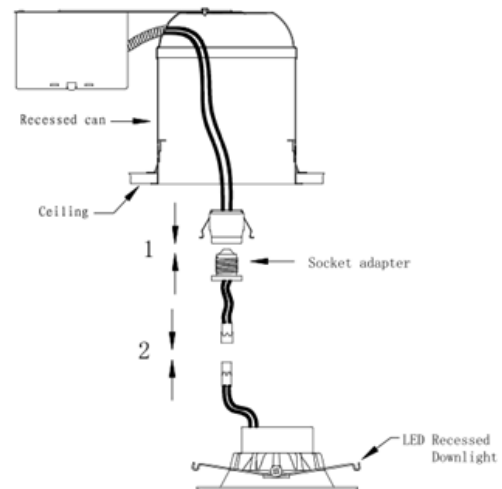
## INSTALLATION

- Always make sure power to fixtures is disconnected before beginning removal of existing trim or retrofit installation.
- Remove existing lamp, trim, socket plate from housing.
- Disconnect the orange colored connector on fixture. See **Figure 2**.
- Assemble E26 socket adapter to existing socket come down from housing.
- Connect the orange colored connector on fixture.
- Anchor fixture to recessed can using torsion spring clips. See **Figure 3 and 4** on back page.
- Push fixture gently to ceiling until seated. See **Figure 4** on back page.

**FIGURE 1**



**FIGURE 2**



# INSTALLATION INSTRUCTIONS E-T6G&H RECESSED DOWNLIGHT

Document:	LPN00309X0001A0_A	Date:	2015-8-20
Created By:	TMT	DCR#:	2015-217

FIGURE 3

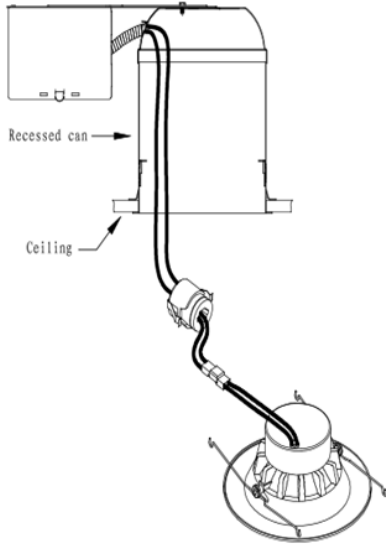


FIGURE 4

