

# INSTALLATION INSTRUCTIONS E-VW Series LED Linear Vaportite

Document:	LPN00313X0001A0_A	Date:	2015-10-01
Created By:	TMT	DCR#:	2015-281

## CABLE MOUNTING - Suspension cables sold separately.

1. See above surface mounting Step 1 and Step 2.
2. Attach cables to mounting surface at 2 locations, 14" to 18" apart. Attach other ends of cable to mounting brackets. See **Figure 3**.
3. Push up luminaire and press it into mounting brackets until bracket snaps into place.

FIGURE 1

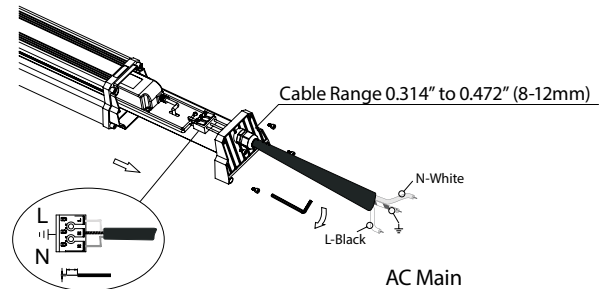


FIGURE 2

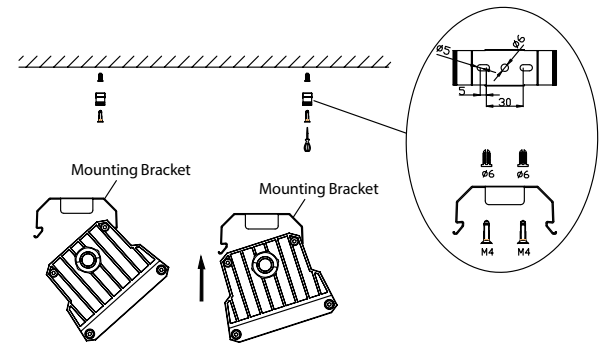


FIGURE 3

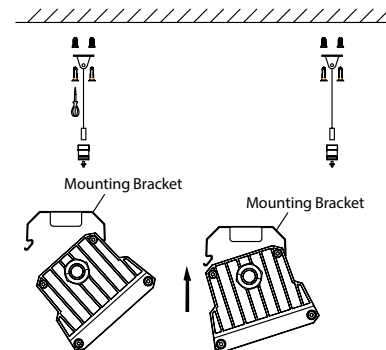
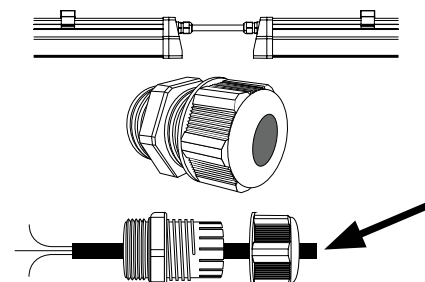


FIGURE 4



## CAUTIONS

### IMPORTANT SAFEGUARDS

When using electrical equipment, basic safety precautions should always be followed including the following:

### READ AND FOLLOW ALL SAFETY INSTRUCTIONS

1. **DANGER**- Risk of shock- Disconnect power before installation.  
**DANGER** – *Risque de choc – Couper l'alimentation avant l'installation.*
2. This luminaire must be installed in accordance with the NEC or your local electrical code. If you are not familiar with these codes and requirements, consult a qualified electrician.  
*Ce produit doit être installé conformément à NEC ou votre code électrique local. Si vous n'êtes pas familier avec ces codes et ces exigences, veuillez contacter un électricien qualifié.*
3. Suitable for wet locations.  
*Convient aux emplacements mouillés.*
4. Suitable for operation in ambient not exceeding 40°C.  
*Peut être utilisée à une température ambiante n'excédant pas 40°C.*
5. No serviceable and replaceable parts.  
*Pieces non réparables par l'utilisateur.*

### SAVE THESE INSTRUCTIONS FOR FUTURE REFERENCE

## SURFACE MOUNTING

1. Switch off power. Remove end-caps using Allen key. Slide out wiring plate for easy connections.
2. Bring in power supply cord ( See **Figure 1** for cord cable diameter range) and make following connections using built-in terminal block:
  - a. Connect Black luminaire wire to live wire on terminal.
  - b. Connect White luminaire wire to neutral wire.
  - c. Connect Green/Yellow luminaire wire to ground wire on terminal.
  - d. Slide wiring plate back in and close end cap. Tighten water-proof connector and screws carefully. See **Figure 4**.
3. Use 1/4 in max size drill bit to drill 4 mounting holes on ceiling . Use mounting brackets to locate holes. Brackets should be positioned 14" - 18" apart. Insert supplied anchors into holes and attach brackets to ceiling (M4 screws included)
4. Push up luminaire and press it into mounting brackets until bracket snaps into place. See **Figure 2**.

# INSTALLATION INSTRUCTIONS

## E-VW Series LED Linear Vaportite

Document:	LPN00313X0001A0_A	Date	2015-10-01
Created By:	TMT	DCR#	2015-281

### CONNECTING MULTIPLE LUMINAIRES

**NOTE:** Multiple luminaires connection suitable for surface mounting and pendant mounting.

**Caution** - Connect 21 units maximum

1. Remove plug from adjoining luminaire and slide out wiring plate for easy connections.
2. Bring wires from adjoining luminaire into prior luminaire through end cap wiring knockout. See **Figure 4 and 5**.
3. Make the following wiring connections to built-in terminal block (See **Figure 5**):
  - a. Connect Black luminaire wire to live wire on terminal.
  - b. Connect White luminaire wire to neutral wire .
  - c. Connect Green/Yellow luminaire wire to ground wire on terminal.
  - d. Slide wiring plate back in and close end cap. Tighten water-proof terminal and screws carefully.

### FCC NOTICE

**CAUTION:** Changes or modifications not expressly approved could void your authority to use this equipment.

This device complies with part 15 of the FCC Rules. Operation is subject to the following two conditions: (1) This device may not cause harmful interference, and (2) this device must accept any interference received, including interference that may cause undesired operation.

This equipment has been tested and found to comply with the limits for a Class A digital device, pursuant to part 15 of the FCC Rules. These limits are designed to provide reasonable protection against harmful interference when the equipment is operated in a commercial environment. This equipment generates, uses, and can radiate radio frequency energy and, if not installed and used in accordance with the instruction manual, may cause harmful interference to radio communications. Operation of this equipment in a residential area is likely to cause harmful interference in which case the user will be required to correct the interference at his own expense.

CAN ICES-003 (A)/NMB-003 (A)

**FIGURE 5**

