

# INSTALLATION INSTRUCTIONS

## LED Low Profile Wall Sconce

### E-S2AL Series

Document:	LPN00341X0001_A	Date:	2016-3-03
Created By:	TMT	ECO#:	005830

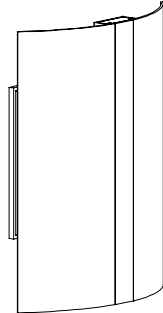
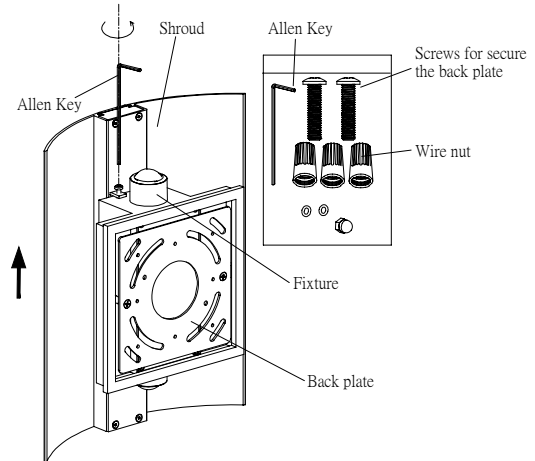


FIGURE 1



### CAUTIONS

## IMPORTANT SAFEGUARDS

When using electrical equipment, basic safety precautions should always be followed including the following:

## READ AND FOLLOW ALL SAFETY INSTRUCTIONS

- DANGER**- Risk of shock- Disconnect power before installation.  
*DANGER – Risque de choc – Couper l'alimentation avant l'installation.*
- This luminaire must be installed in accordance with the NEC or your local electrical code. If you are not familiar with these codes and requirements, consult a qualified electrician.  
*Ce produit doit être installé conformément à NEC ou votre code électrique local. Si vous n'êtes pas familier avec ces codes et ces exigences, veuillez contacter un électricien qualifié.*
- Wall Mount Only.  
*Installation Murale Seulement.*

## SAVE THESE INSTRUCTIONS FOR FUTURE REFERENCE

FIGURE 2

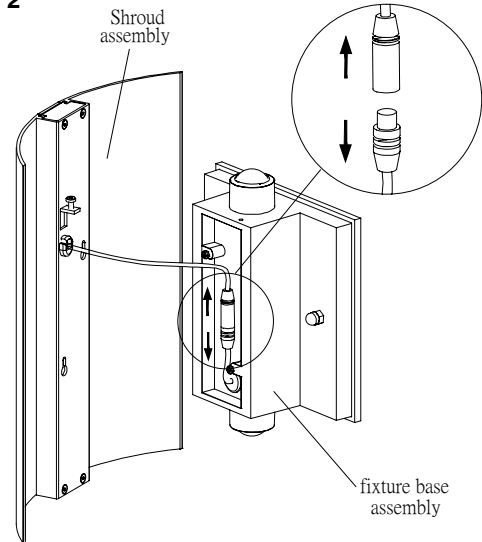
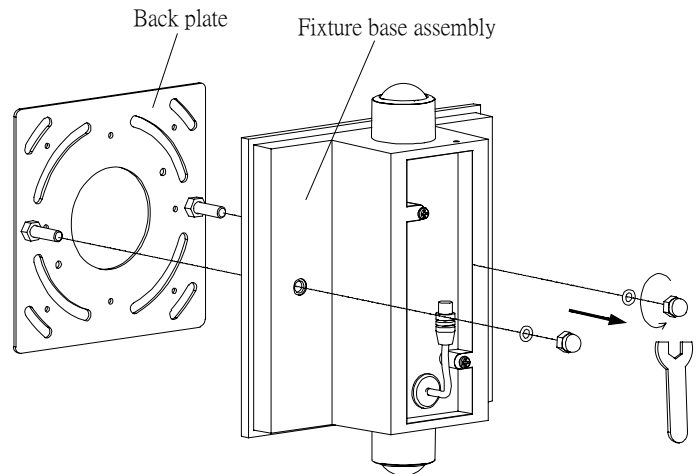


FIGURE 3



## INSTALLATION

- Loosen (do not remove) the screw on the top side of the fixture using the supplied Allen wrench. Pull up on shroud to remove shroud from fixture base. See **Figure 1**.
- Pull apart the two halves of the water proof connector. See **Figure 2**.
- Remove the nuts and o-rings from the two threaded studs passing through the wall of the fixture base. Remove the back plate from the fixture base. See **Figure 3**.

# INSTALLATION INSTRUCTIONS

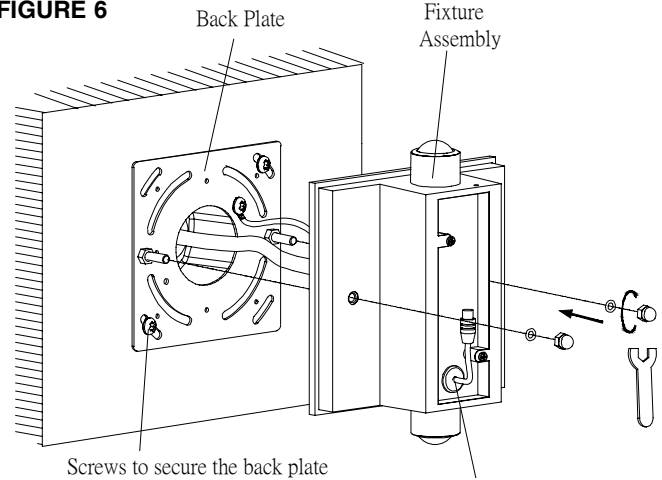
## LED Low Profile Wall Sconce

### E-S2AL Series

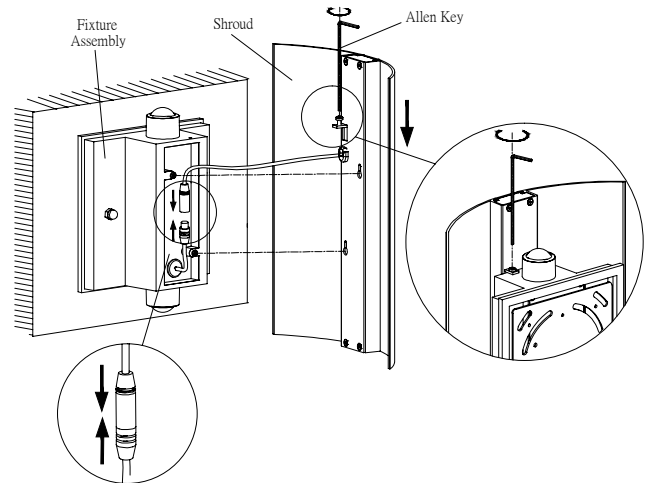
Document:	LPN00341X0001_A	Date	2016-3-03
Created By:	TMT	ECO#	005830

4. Pass the supply leads through the center hole in the back plate. Attach the back plate to a recessed 4" square or octagonal junction box using the supplied screws. See **Figure 4**.
5. Connect the black fixture lead to the voltage supply lead. Connect the white fixture lead to the neutral supply lead. Connect the green fixture lead AND the green lead attached to the back plate to the ground supply lead. See **Figure 5**.
6. Push all leads into junction box. Pass threaded studs on back plate through holes in fixture base. Make sure fixture base is positioned such that wire lead exits near the bottom edge. See **Figure 6**.
7. Replace O-ring and nuts on studs and tighten fixture base to mounting surface. Be careful not pinch leads. See Figure 6.  
**NOTE:** For wet locations, a high grade caulking material, such as silicone rubber, should be used between rear gasket and mounting surface.
8. Carefully reconnect the male and female ends of the water proof connector. Insert screws in fixture base into keyholes in shroud. Push shroud down to lock the two halves together. Tighten screw on the top of the fixture using Allen wrench. See **Figure 7**.

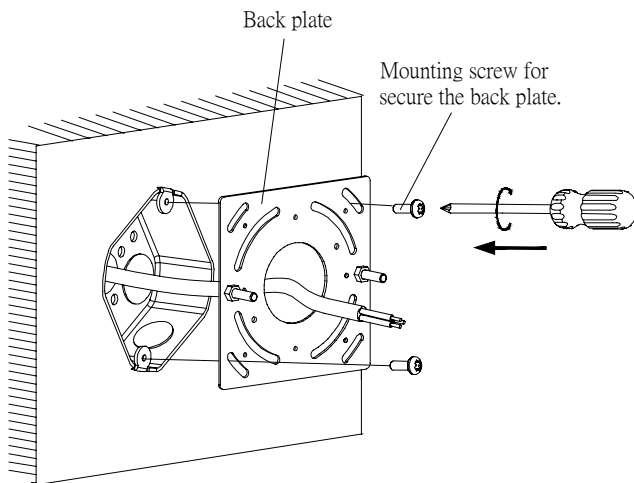
**FIGURE 6**



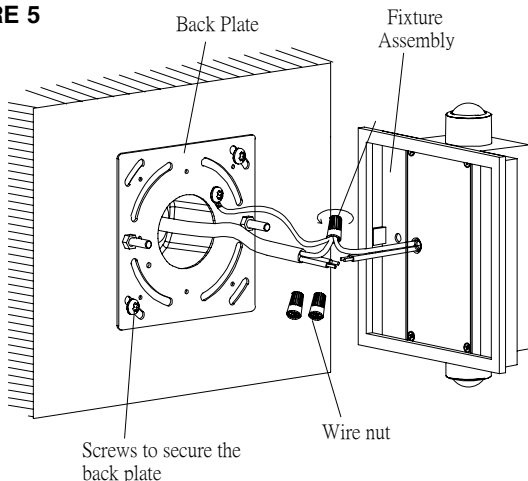
**FIGURE 7**



**FIGURE 4**



**FIGURE 5**



### FCC NOTICE

**CAUTION:** Changes or modifications not expressly approved could void your authority to use this equipment.

This device complies with part 15 of the FCC Rules. Operation is subject to the following two conditions: (1) This device may not cause harmful interference, and (2) this device must accept any interference received, including interference that may cause undesired operation.

This equipment has been tested and found to comply with the limits for a Class A digital device, pursuant to part 15 of the FCC Rules. These limits are designed to provide reasonable protection against harmful interference when the equipment is operated in a commercial environment. This equipment generates, uses, and can radiate radio frequency energy and, if not installed and used in accordance with the instruction manual, may cause harmful interference to radio communications. Operation of this equipment in a residential area is likely to cause harmful interference in which case the user will be required to correct the interference at his own expense.

CAN ICES-003 (A)/NMB-003 (A)