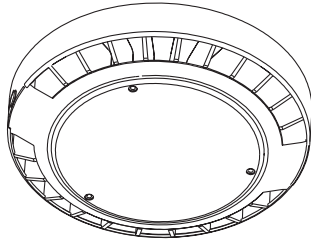


INSTALLATION INSTRUCTIONS

E-CRB Series

Document:	LPN00343X0001A0	Date	2016-03-21
Created By:	TMT	ECO#	005910



5. Make wire connections as follows:
 - a. Connect black fixture lead to voltage supply lead.
 - b. Connect white fixture lead to the neutral supply lead
 - c. Connect the green fixture lead to the supply ground lead.Carefully push all wires through hole in mounting plate into junction box.
6. Lift fixture to ceiling with wireform still engaged,. Slide housing as far away from the "L" bracket as possible.
7. Slide fixture along ceiling towards "L" bracket, engaging the four mounting tabs.
8. Insert screw removed in Step 1 through hole in "L" bracket and thread into hole in housing to retain housing.
9. Turn power on and confirm that fixture operates properly.

CAUTIONS

IMPORTANT SAFEGUARDS

When using electrical equipment, basic safety precautions should always be followed including the following:

READ AND FOLLOW ALL SAFETY INSTRUCTIONS

1. **DANGER-** Risk of shock- Disconnect power before installation.
DANGER – Risque de choc – Couper l'alimentation avant l'installation.
2. This luminaire must be installed in accordance with the NEC or your local electrical code. If you are not familiar with these codes and requirements, consult a qualified electrician.
Ce produit doit être installé conformément à NEC ou votre code électrique local. Si vous n'êtes pas familier avec ces codes et ces exigences, veuillez contacter un électricien qualifié.
3. SUITABLE FOR WET LOCATIONS.
CONVIENT AUX EMPLACEMENTS MOUILLES

SAVE THESE INSTRUCTIONS FOR FUTURE REFERENCE

FIXTURE INSTALLATION OVER RECESSED JUNCTION BOX

NOTE: All LEDs are pre installed and ready to operate. Do Not remove the bottom lens to access the optical chamber.

NOTE: Fixture is only to be mounted over a 4" square or 4" octagonal junction box. Fixture can NOT be powered using surface conduit.

1. Remove the junction box mounting plate from the top of fixture by removing the screw from the "L" bracket and sliding the mounting plate to the side of the fixture. This will disengage the plate from the four mounting tabs on top of the fixture.
2. Lift mounting plate away from housing and disengage plate from wireform retainer.
3. Route supply wires from junction box through hole in mounting plate. Attach mounting plate to the junction box with (2) customer supplied screws. See **Figure 1**.
4. Hang the fixture from the mounting plate by engaging the support wireform located on the top of the fixture on the retaining tab on the mounting plate. See **Figure 2**.

FIGURE 1

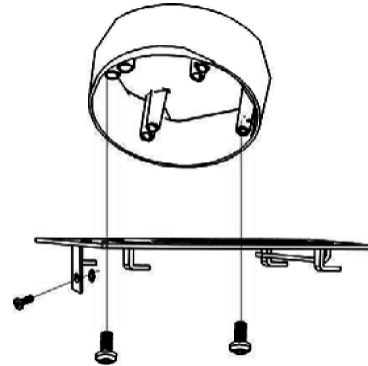
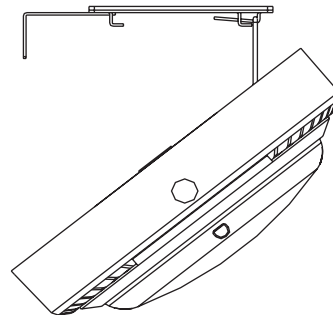


FIGURE 2



FCC NOTICE

CAUTION: Changes or modifications not expressly approved could void your authority to use this equipment.

This device complies with part 15 of the FCC Rules. Operation is subject to the following two conditions: (1) This device may not cause harmful interference, and (2) this device must accept any interference received, including interference that may cause undesired operation.

This equipment has been tested and found to comply with the limits for a Class A digital device, pursuant to part 15 of the FCC Rules. These limits are designed to provide reasonable protection against harmful interference when the equipment is operated in a commercial environment. This equipment generates, uses, and can radiate radio frequency energy and, if not installed and used in accordance with the instruction manual, may cause harmful interference to radio communications. Operation of this equipment in a residential area is likely to cause harmful interference in which case the user will be required to correct the interference at his own expense.
CAN ICES-003 (A)/NMB-003 (A)