

# INSTALLATION INSTRUCTIONS

## C-HB-B-RD Series

Document LPN00617X0001A2\_A Date: 06-24-2021  
 Created By: TMT



### CAUTIONS

## IMPORTANT SAFEGUARDS

When using electrical equipment, basic safety precautions should always be followed including the following:

## READ AND FOLLOW ALL SAFETY INSTRUCTIONS

- DANGER**- Risk of shock- Disconnect power before installation.  
**DANGER – Risque de choc – Couper l'alimentation avant l'installation.**
- This luminaire must be installed in accordance with the NEC or your local electrical code. If you are not familiar with these codes and requirements, consult a qualified electrician.  
*Ce produit doit être installé conformément à NEC ou votre code électrique local. Si vous n'êtes pas familier avec ces codes et ces exigences, veuillez contacter un électricien qualifié.*
- Suitable for Wet Locations.  
*Adapte pour les Endroits Mouilles.*

## SAVE THESE INSTRUCTIONS FOR FUTURE REFERENCE

### INSTALLATION OF LENS ACCESSORY

Requires use of Drop Lens or Conical Lens Accessory Kit

- Position lens below reflector, aligning attachment molded-in-place threaded inserts in lens with holes in reflector. See **Figure 1**.
- Thread (4) M4x8 mm round head screws through holes in reflector and into threaded inserts in lens. Tighten screws to retain lens.  
**NOTE:** Do NOT overtighten screws to prevent damage to lens or reflector.

### INSTALLATION OF WIRE GUARD ACCESSORY

Requires use of Wire Guard Accessory Kit

- NOTE:** Wire guard accessory requires use of reflector for mounting.  
**NOTE:** Wire guard accessory can not be used in combination with a lens accessory.
- Position wire guard below reflector, aligning attachment nuts on wire guard with holes in reflector. See Figure 1.
  - Thread (4) supplied M4x8 mm round head screws through holes in reflector and into threaded nuts in wire guard. Tighten screws to retain wire guard.  
**NOTE:** Do NOT overtighten screws to prevent damage to reflector.

### REFLECTOR ATTACHMENT

Requires use of Aluminum or Prismatic Reflector Accessory Kit

#### 100/200W Reflector Installation

- Position reflector under housing with (4) supplied M4x16 mm round head screws located between straight fins on the top of the housing. See **Figure 1**.
- Tighten (4) M4x16 mm round head screws against the top of the housing to retain reflector. Make sure the reflector is centered under the housing.

#### 150/240W Reflector Installation

- Remove adapter plate from top of reflector by removing (4) M4x8 mm flat head screws holding adapter plate to reflector. Retain screws. Discard adapter plate See **Figure 2**.
- Install (2) supplied mounting brackets onto upper edge of reflector using (4) flat head screws removed in Step 1.  
**NOTE:** For installation of prismatic reflector, be careful not to overtighten screws to prevent damage to reflector.
- Position reflector under housing with (4) supplied M4x16 mm round head screws located between straight fins on the top of the housing. See **Figure 1**.
- Tighten (4) M4x16 mm round head screws against the top of the housing to retain reflector. Make sure the reflector is centered under the housing.

FIGURE 1

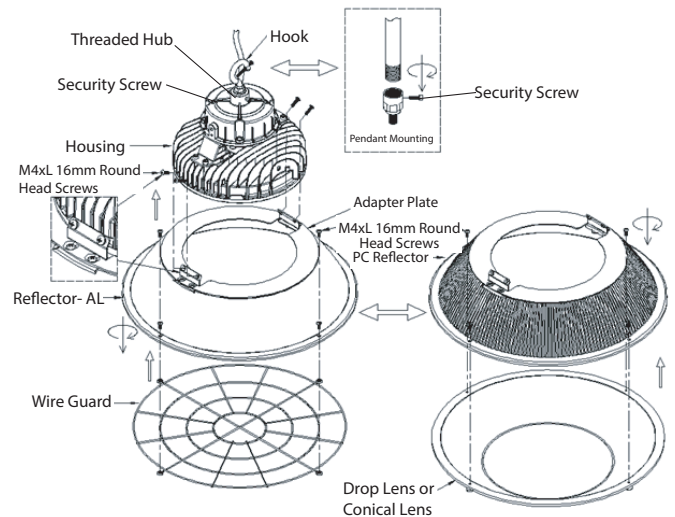
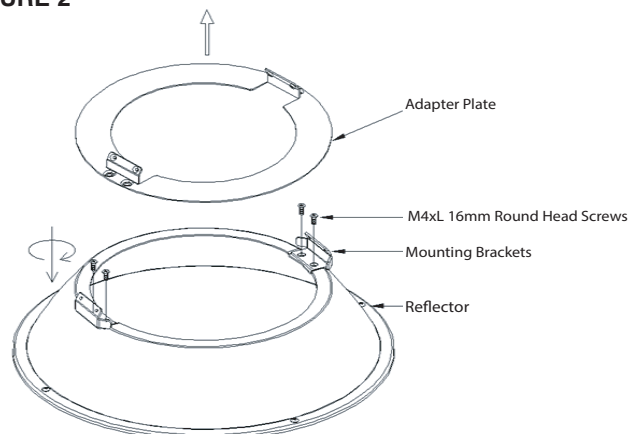


FIGURE 2



# INSTALLATION INSTRUCTIONS

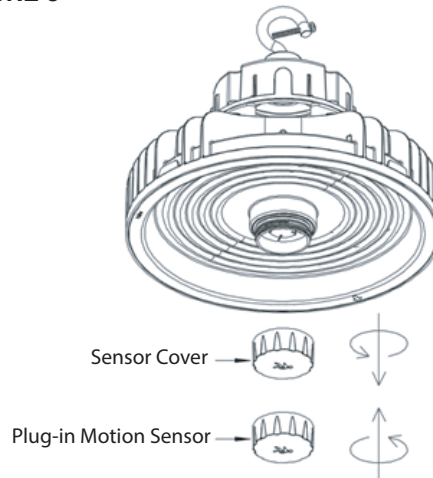
## C-HB-B-RD Series

### INSTALLATION OF MOTION SENSOR (Requires use of Motion Sensor Kit)

**NOTE:** Motion sensor accessory will control dimming. Cap off dimming leads exiting top of fixture housing.

1. Unscrew existing sensor cover counterclockwise to remove it from fixture. Discard sensor cover. See **Figure 3**.
2. Screw new motion sensor module, supplied in accessory kit, onto threaded base in center of housing.
3. After fixture is mounted and power has been supplied, program sensor with sensor remote as detailed in instructions included with motion sensor remote kit.

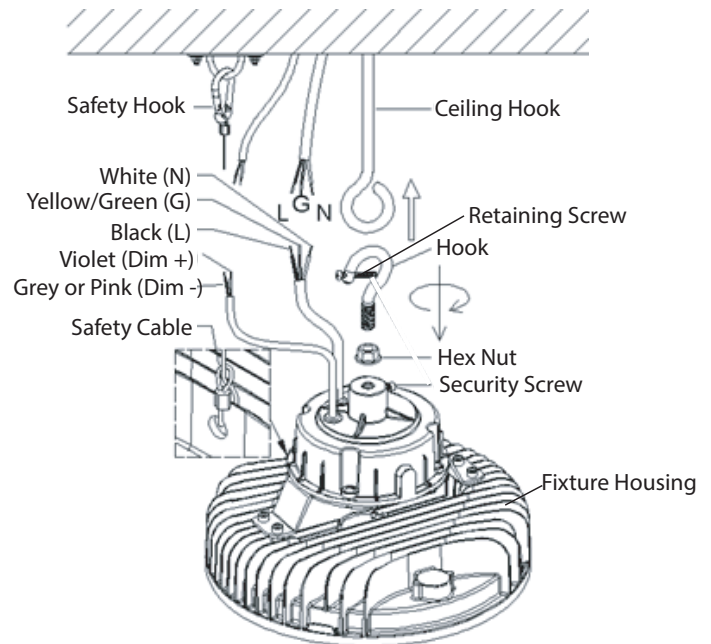
FIGURE 3



### HOOK AND CORD MOUNTING- NON-EMERGENCY UNITS

1. Thread the supplied hex nut onto the threaded shaft of the hook. See **Figure 4**.
2. Thread the hook into the tapped hole on top of the fixture housing.
3. Tighten the hex nut against the top of the housing.
4. Tighten security screw on the hub of housing against the hook to lock hook in place.
5. Attach supplied safety cable to fixture and to mounting surface using safety hook. See **Figure 4**.
6. Loosen retaining screw on hook to allow hook to engage eye bolt (supplied by others) attached to mounting surface. After engaging hook onto eye bolt, retighten retaining screw to prevent hook from coming off eye bolt. See **Figure 4**.  
**NOTE:** Make sure eye bolt and supporting structure have appropriate weight ratings to support weight of fixture (50 lbs).
7. Splice fixture cord leads to supply leads in junction box per **Electrical Connections** section. For dimming applications, second cord with grey and violet leads will also be used.
8. Supply power to fixture.

FIGURE 4



### HOOK AND CORD MOUNTING- EMERGENCY EQUIPPED UNITS

1. Thread the supplied hook into the threaded hub on the top of the emergency converter. See **Figure 5**.
2. Tighten security screw on the top hub of the emergency converter against the hook to lock hook in place.
3. Engage hook on the fixture with ceiling hook. See **Figure 5**.  
**NOTE:** Make sure ceiling hook and supporting structure have appropriate weight ratings to support weight of fixture (75 lbs).
4. Attach supplied safety cable to fixture and to mounting surface using safety hook. See **Figure 5**.
5. Splice fixture cord leads to supply leads in junction box per **Electrical Connections** section. For dimming applications, second cord with grey and violet leads will also be used.
6. Supply power to fixture.

# INSTALLATION INSTRUCTIONS

## C-HB-B-RD Series

Document	LPN00617X0001A2_A	Date:	06-24-2021
Created By:	TMT		

### PENDANT MOUNTING- NON-EMERGENCY UNITS (Requires use of Pendant Mount Accessory)

1. Thread the pendant mount accessory into the tapped hole on top of the fixture. See **Figure 1**.
2. Tighten security screw on the hub of housing against the pendant mount to lock it in place.
3. Thread pendant mount accessory onto threaded end of 3/4" pendant.
4. Tighten security screw on the pendant mount accessory to secure fixture to pendant.
5. Attach supplied safety cable to fixture and to mounting surface using safety hook. See **Figure 3**.
6. Splice fixture cord leads to supply leads in junction box per **Electrical Connections** section. For dimming applications, second cord with grey and violet leads will also be used.

### PENDANT MOUNTING- EMERGENCY EQUIPPED UNITS (Requires use of Pendant Mount Accessory)

1. Screw threaded hub of emergency converter onto the threaded end of a 3/4" pendant.  
**NOTE:** Make sure pendant and attachment point to structure have the appropriate weight ratings to support the weight of the fixture (75 lbs). See **Figure 5**.
2. Tighten security screw on the top threaded hub of the emergency converter against the pendant to lock pendant in place.
3. Attach supplied safety cable to fixture and to mounting surface using safety hook. See **Figure 5**.
4. Splice fixture cord leads to supply leads in junction box per **Electrical Connections** section. For dimming applications, second cord with grey and violet leads will also be used.
5. Supply power to fixture.

### EMERGENCY DRIVER CHECK (For Fixtures Equipped With Emergency Driver)

**NOTE:** For short-term testing of the emergency function, the battery must be charged for at least one hour. The emergency driver must be charged for at least 24 hours before conducting a long-term test.

#### MANUAL TESTING:

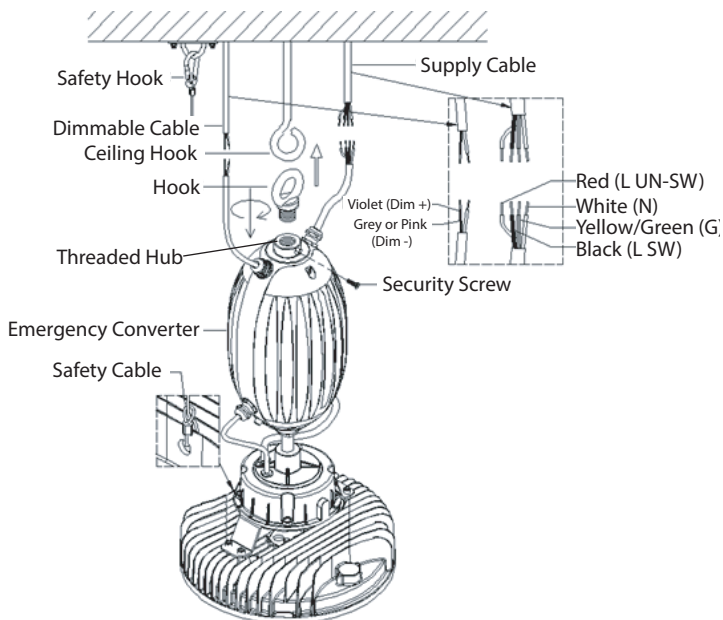
Press the test button to cut the power to the AC driver and switch the system to emergency mode. Release the test button to return to normal mode. Switch off the circuit breaker to simulate a full power outage.

#### SELF DIAGNOSTIC FEATURE:

The integrated self-diagnostic circuitry will automatically conduct monthly 30-second and annual 90-minute tests to verify proper emergency capability per Life Safety Code requirements.

REFER ANY SERVICING INDICATED BY THESE CHECKS TO QUALIFIED PERSONNEL  
EMERGENCY DRIVER AND AC DRIVER MUST BE FED FROM THE SAME BRANCH CIRCUIT.

**FIGURE 5**



# INSTALLATION INSTRUCTIONS

## C-HB-B-RD Series

### ELECTRICAL CONNECTIONS- NON-EMERGENCY UNITS

Fixture is equipped with universal volt driver 120-277V or a 347-480V driver

**NOTE:** Make sure voltage range of fixture is compatible with supply voltage.

Make the following Electrical Connections:

1. Connect the black fixture lead to the voltage supply lead.
2. Connect the white fixture lead to the neutral supply lead (Hot 2 for 208/240/480V wiring).
3. Connect the bare or green ground fixture lead to the supply ground lead.

### DIMMING

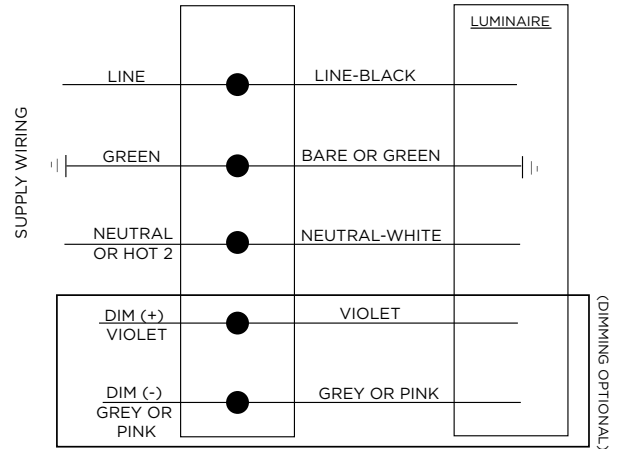
Requires use of Dimming Accessory Kit to extend dimming leads.

**NOTE:** Dimming is only available for fixtures equipped with a universal volt driver 120-277V. Dimming is not available for 347-480V products.

**NOTE:** If the motion sensor accessory is being used, dimming will be controlled by the motion sensor. Make sure violet and grey or pink dimming leads are capped off.

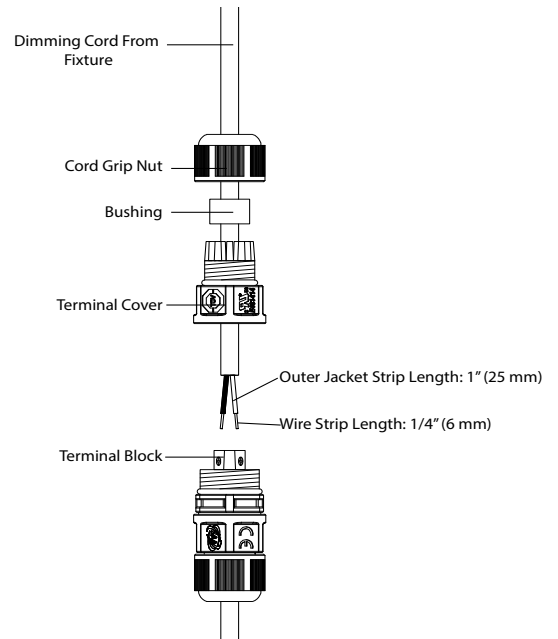
**NOTE:** If dimming is not being used, cap off the grey or pink and violet leads from cord exiting top of fixture.

1. Unscrew the cord grip nut and remove cord grip nut and bushing from the end of the watertight connector that does not have a cord exiting it. See **Figure 6**.
2. Unscrew the exposed terminal cover to expose the terminal block.
3. Feed the dimming cord (cord with grey or pink and violet inner wires) exiting the top of the fixture through the cord grip nut, bushing, and terminal cover in the direction shown in **Figure 6**.
4. Strip the outer jacket insulation on the dimming cord back 1" (25 mm).
5. Strip the ends of the grey or pink and violet leads back 1/4" (6 mm).
6. Insert the stripped ends of the violet and grey or pink leads into the terminal block. Insert the violet lead into terminal 1 and the grey or pink lead into terminal 2. See **Figure 7**.
7. Tighten terminal screw to 8 in-lbs (0.9 N·m).
8. Screw terminal cover over terminals. Do not overtighten to avoid damage to connector.
9. Push the bushing back into the terminal cover.
10. Tighten the cord grip nut onto the terminal cover. Do not overtighten to avoid damage to terminal cover.
11. Connect the violet lead on the opposite end of the dimming cord to the supply positive dimming lead.
12. Connect the grey or pink lead on the opposite end of the dimming cord to the supply negative dimming lead.

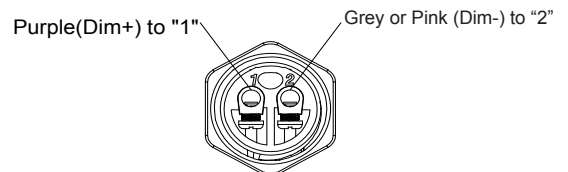


- \*\* **NOTE:** If motion sensor accessory is being used, dimming will be controlled by motion sensor. Cap off dimming leads.
- \*\* **NOTE:** Dimming is not available for 347-480V products

**FIGURE 6**



**FIGURE 7**



# INSTALLATION INSTRUCTIONS

## C-HB-B-RD Series

Document	LPN00617X0001A2_A	Date:	06-24-2021
Created By:	TMT		

### FCC NOTICE

### ELECTRICAL CONNECTIONS- EMERGENCY UNITS

**NOTE:** The emergency driver and AC driver must be fed from the same branch circuit..

**CAUTION:** Changes or modifications not expressly approved could void your authority to use this equipment.

This device complies with part 15 of the FCC Rules. Operation is subject to the following two conditions: (1) This device may not cause harmful interference, and (2) this device must accept any interference received, including interference that may cause undesired operation.

This equipment has been tested and found to comply with the limits for a Class A digital device, pursuant to part 15 of the FCC Rules. These limits are designed to provide reasonable protection against harmful interference when the equipment is operated in a commercial environment. This equipment generates, uses, and can radiate radio frequency energy and, if not installed and used in accordance with the instruction manual, may cause harmful interference to radio communications. Operation of this equipment in a residential area is likely to cause harmful interference in which case the user will be required to correct the interference at his own expense.  
CAN ICES-005 (A)/NMB-005 (A)

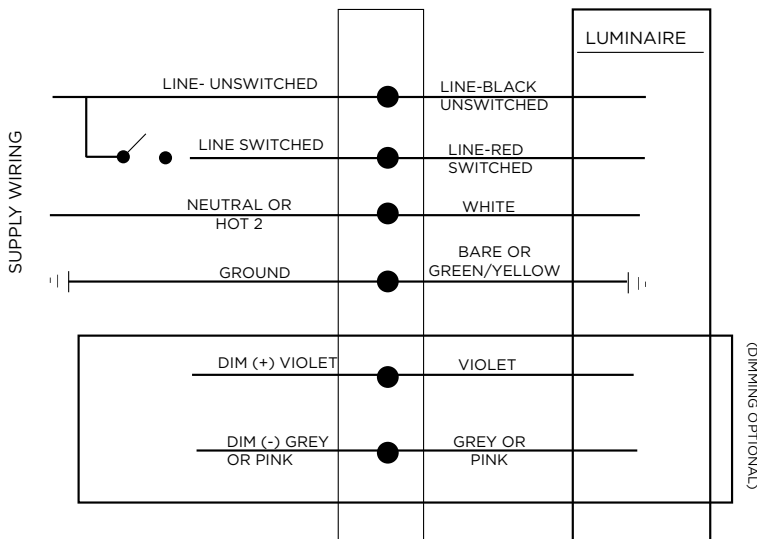
Make the following Electrical Connections:

1. Connect the black fixture lead to the unswitched voltage supply lead.
2. Connect the red fixture lead to the switched voltage supply lead.
3. Connect the white fixture lead to the neutral supply lead (Hot 2 for 208/240/480V wiring).
4. Connect the bare or green ground fixture lead to the supply ground lead.
5. If 0/1-10V Dimming is used, connect the violet lead to the supply positive dimming lead. For dimming, use Class 1 wiring methods only. If dimming is not being used ensure to cap off the violet lead and coil dimming cord on top of the emergency driver enclosure.

**NOTE:** If the motion sensor accessory is being used, dimming will be controlled by the motion sensor. Cap off violet lead and coil dimming cord on top of the emergency driver enclosure.

If 0/1-10V Dimming is used, connect the grey or pink lead to the supply negative dimming lead. For dimming, use Class 1 wiring methods only. If dimming is not being used ensure to cap off the grey or pink lead and coil dimming cord on top of the emergency driver enclosure.

**NOTE:** If the motion sensor accessory is being used, dimming will be controlled by the motion sensor. Cap off grey or pink lead and coil dimming cord on top of the emergency driver enclosure.



**\*\* NOTE:** If motion sensor accessory is being used, dimming will be controlled by motion sensor. Cap off dimming leads.

**\*\* NOTE:** Dimming is not available for 347-480V products



# INSTRUCCIONES DE INSTALACIÓN

## Serie C-HB-B-RD

Documento LPN00617X0001A2\_A Fecha: 24-06-2021  
Creado por: TMT

# E-LITE

LED LIGHTING



**PRECAUCIONES**

## MEDIDAS DE SEGURIDAD IMPORTANTES

Al usar aparatos eléctricos, siempre deben seguirse ciertas medidas básicas de seguridad, incluidas las siguientes:

### LEA Y SIGA TODAS LAS INSTRUCCIONES DE SEGURIDAD

- PELIGRO:** Riesgo de descarga eléctrica. Desconecte la alimentación eléctrica antes de la instalación.  
**DANGER – Risque de choc – Couper l'alimentation avant l'installation.**
- Esta luminaria debe instalarse de acuerdo con el Código Nacional Eléctrico de los Estados Unidos (NEC, por sus siglas en inglés) o con el código eléctrico local. Si no está familiarizado con estos códigos y requisitos, consulte a un electricista calificado.  
*Ce produit doit être installé conformément à NEC ou votre code électrique local. Si vous n'êtes pas familier avec ces codes et ces exigences, veuillez contacter un électricien qualifié.*
- Este producto es adecuado para uso en lugares húmedos.  
*Adapte pour les Endroits Mouilles.*

**CONSERVE ESTAS INSTRUCCIONES PARA CONSULTAS POSTERIORES**

### INSTALACIÓN DEL LENTE

Requiere el uso de un kit de accesorios para lentes cónicos o en forma de gota

- Coloque la lente debajo del reflector, alineando los insertos roscados moldeados en el lugar del accesorio en la lente con los orificios en el reflector. Consulte la **Figura 1**.
- Enrosque (4) tornillos M4x8 mm de cabeza redonda a través de los orificios del reflector y en los insertos roscados de la lente. Apriete los tornillos para retener la lente.  
**NOTA:** NO apriete excesivamente los tornillos del lente para evitar daños a la lente o al reflector.

### INSTALACIÓN DE UN KIT DE ACCESORIOS PARA PROTECTORES DE CABLEADO

Requiere el uso de un kit de accesorios para protectores de cableado

**NOTA:** El accesorio de protección de cables requiere el uso del reflector para el montaje.

**NOTA:** El accesorio de protección del cableado no se puede usar en combinación con un accesorio de lente.

- Coloque el protector de cables debajo del reflector, alineando las tuercas de fijación del protector de cables con los orificios del reflector. Consulte la **Figura 1**.
- Enrosque (4) tornillos M4x8 mm de cabeza redonda a través de los orificios del reflector y en los insertos roscados del protector del cableado.  
**NOTA:** NO apriete excesivamente los tornillos para evitar daños al reflector.

## ACCESORIO DEL REFLECTOR

Requiere el uso de un kit de accesorios para el reflector prismático o de aluminio

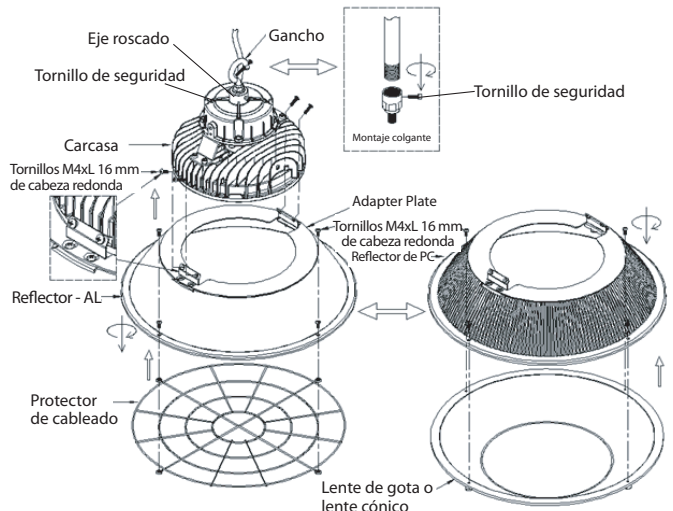
### Instalación del reflector de 100/200 W

- Coloque el reflector debajo de la carcasa con los (4) tornillos M4x16 mm de cabeza redonda suministrados ubicados entre las aletas rectas en la parte superior de la carcasa. Consulte la **Figura 1**.
- Apriete los (4) tornillos M4x16 mm de cabeza redonda contra la parte superior de la carcasa para retener el reflector. Asegúrese de que el reflector esté centrado debajo de la carcasa.

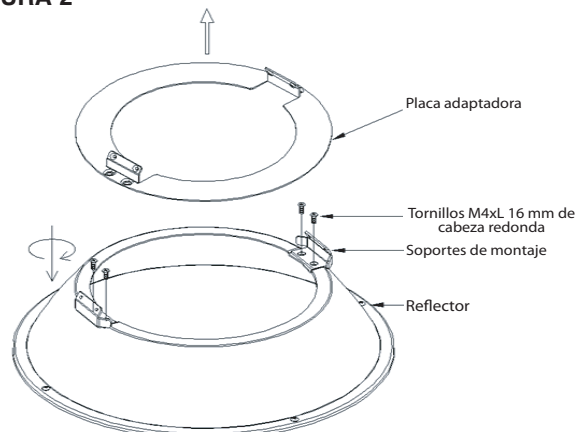
### Instalación del reflector de 150/240 W

- Retire la placa adaptadora de la parte superior del reflector removiendo los (4) tornillos M4x8 mm de cabeza plana que sujetan la placa adaptadora al reflector. Tornillos de retención. Descarte la placa adaptadora. Consulte la **Figura 2**.
- Instale (2) soportes de montaje suministrados en el borde superior del reflector usando los (4) tornillos de cabeza plana que retiró en el Paso 1.  
**NOTA:** Para la instalación del reflector prismático, tenga cuidado de no apretar demasiado los tornillos para evitar dañar el reflector.
- Coloque el reflector debajo de la carcasa con los (4) tornillos M4x16 mm de cabeza redonda suministrados ubicados entre las aletas rectas en la parte superior de la carcasa. Consulte la **Figura 1**.
- Apriete los (4) tornillos M4x16 mm de cabeza redonda contra la parte superior de la carcasa para retener el reflector. Asegúrese de que el reflector esté centrado debajo de la carcasa.

**FIGURA 1**



**FIGURA 2**



## INSTRUCCIONES DE INSTALACIÓN Serie C-HB-B-RD

Documento	LPN00617X0001A2_A	Fecha:	24-06-2021
Creado por:	TMT		

### INSTALACIÓN DEL SENSOR DE MOVIMIENTO (Requiere el uso del kit de sensor de movimiento)

**NOTA:** El accesorio del sensor de movimiento controlará la atenuación. Cubra los cables de atenuación que salen de la parte superior de la carcasa de la luminaria.

1. Desatornille la cubierta del sensor en sentido antihorario para quitarla del accesorio. Descarte la cubierta del sensor. Consulte la **Figura 3**.
2. Atornille el nuevo módulo de sensor de movimiento, incluido en el juego de accesorios, en la base roscada en el centro de la carcasa.
3. Después de que la luminaria esté montada y se haya suministrado energía, programe el sensor con el control remoto del sensor como se detalla en las instrucciones incluidas con el kit de control remoto del sensor de movimiento.

### MONTAJE CON GANCHO Y CORDÓN: UNIDADES QUE NO SON DE EMERGENCIA

1. Enrosque la tuerca hexagonal suministrada en el eje roscado del gancho. Consulte la **Figura 4**.
2. Enrosque el gancho en el orificio roscado en la parte superior de la carcasa del accesorio.
3. Apriete la tuerca hexagonal contra la parte superior de la carcasa.
4. Apriete el tornillo de seguridad en el eje de la carcasa contra el gancho para asegurar el gancho en su lugar.
5. Conecte el cable de seguridad suministrado a la luminaria y a la superficie de montaje con el gancho de seguridad. Consulte la **Figura 4**.
6. Afloje el tornillo de retención del gancho para permitir que este encaje en la argolla (suministrada por terceros) montada en las superficies de soporte. Luego de colocar el gancho en la argolla, vuelva a apretar el tornillo de retención para evitar que el gancho se salga de la argolla. Consulte la **Figura 4**.  
**NOTA:** Asegúrese de que la argolla y la estructura de soporte tengan la capacidad suficiente para soportar el peso de la luminaria (50 lb/22,67 kg).
7. Empalme los cables de la luminaria con los cables de suministro en la caja de conexiones de acuerdo con la sección **Conexiones eléctricas**. Para las aplicaciones con atenuador, también se usará un segundo cable con alambres grises y morados.
8. Suministre alimentación a la luminaria.

### MONTAJE CON GANCHO Y CORDÓN: UNIDADES EQUIPADAS PARA EMERGENCIA

1. Enrosque el gancho suministrado en el eje roscado en la parte superior del convertidor de emergencia. Consulte la **Figura 5**.
2. Apriete el tornillo de seguridad en el eje superior del convertidor de emergencia contra el gancho para asegurar el gancho en su lugar.
3. Enganche el gancho en la luminaria con el gancho de techo. Consulte la **Figura 5**.  
**NOTA:** Asegúrese de que el gancho del techo y la estructura de soporte tengan las clasificaciones de peso apropiadas para soportar el peso del accesorio (75 lb/34 kg).
4. Conecte el cable de seguridad suministrado a la luminaria y a la superficie de montaje con el gancho de seguridad. Consulte la **Figura 5**.
5. Empalme los cables de la luminaria con los cables de suministro en la caja de conexiones de acuerdo con la sección **Conexiones eléctricas**. Para las aplicaciones con atenuador, también se usará un segundo cable con alambres grises y morados.
6. Suministre alimentación a la luminaria.

FIGURA 3

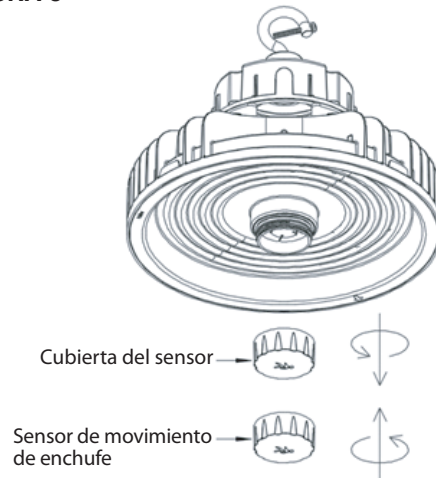
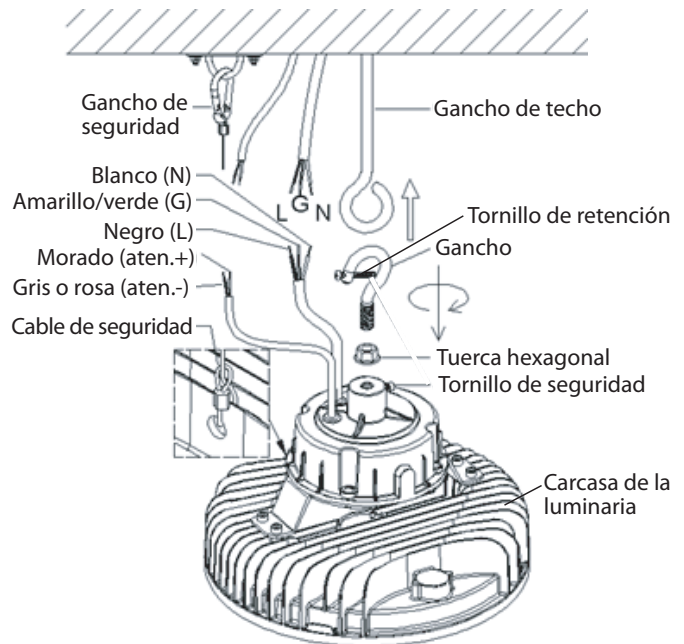


FIGURA 4



# INSTRUCCIONES DE INSTALACIÓN

## Serie C-HB-B-RD

Documento	LPN00617X0001A2_A	Fecha:	24-06-2021
Creado por:	TMT		

### MONTAJE COLGANTE: UNIDADES QUE NO SON DE EMERGENCIA (Requiere el uso de un accesorio de montaje colgante)

1. Enrosque el accesorio de montaje colgante en el orificio roscado en la parte superior de la luminaria. Consulte la **Figura 1**.
2. Apriete el tornillo de seguridad en el eje de la carcasa contra el montaje colgante para asegurarlo en su lugar.
3. Enrosque el accesorio de montaje colgante en el extremo roscado del colgante de 3/4".
4. Apriete los tornillos de fijación en el accesorio de montaje colgante para fijar la luminaria al colgante.
5. Conecte el cable de seguridad suministrado a la luminaria y a la superficie de montaje con el gancho de seguridad. Consulte la **Figura 3**.
6. Empalme los cables de la luminaria con los cables de suministro en la caja de conexiones de acuerdo con la sección **Conexiones eléctricas**. Para las aplicaciones con atenuador, también se usará un segundo cable con alambres grises y morados.

### MONTAJE COLGANTE: UNIDADES EQUIPADAS PARA EMERGENCIA (Requiere el uso de un accesorio de montaje colgante)

1. Atornille el eje roscado del convertidor de emergencia en el extremo roscado de un colgante de 3/4".  
**NOTA:** Asegúrese de que el colgante y el punto de enganche en la estructura sean de una categoría de peso apropiada para soportar el peso de la luminaria (75 lb/34 kg). Consulte la **Figura 5**.
2. Apriete el tornillo de seguridad en el eje roscado superior del convertidor de emergencia contra el colgante para asegurarlo en su lugar.
3. Conecte el cable de seguridad suministrado a la luminaria y a la superficie de montaje con el gancho de seguridad. Consulte la **Figura 5**.
4. Empalme los cables de la luminaria con los cables de suministro en la caja de conexiones de acuerdo con la sección **Conexiones eléctricas**. Para las aplicaciones con atenuador, también se usará un segundo cable con alambres grises y morados.
5. Suministre alimentación a la luminaria.

### VERIFICACIÓN DEL CONTROLADOR DE EMERGENCIA

(Para luminarias equipadas con controlador de emergencia)

**NOTA:** Para una prueba a corto plazo de la función de emergencia, la batería se deberá cargar durante una hora como mínimo. El controlador de emergencia se deberá cargar durante 24 horas como mínimo antes de llevar a cabo una prueba a largo plazo.

#### PRUEBA MANUAL:

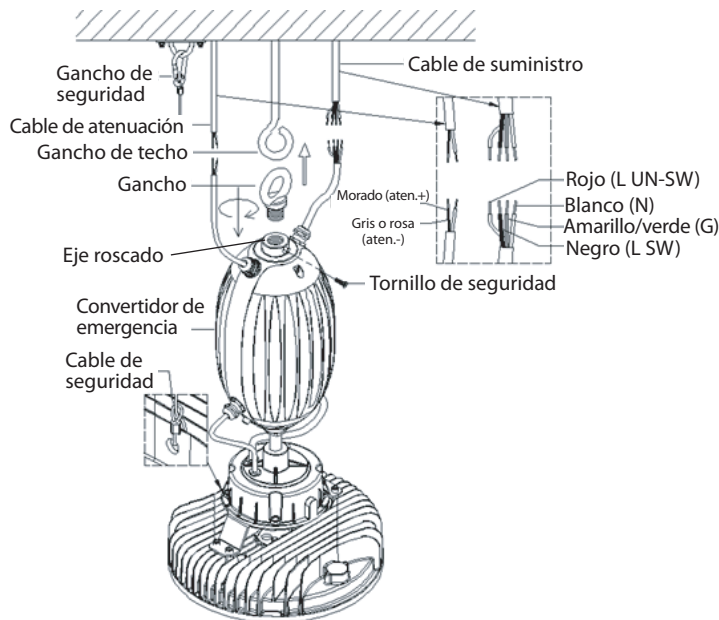
Presione el botón de prueba para cortar la energía al controlador de CA y cambiar el sistema al modo de emergencia. Suelte el botón de prueba para volver al modo normal. Apague el disyuntor para simular un corte de energía total.

#### FUNCIÓN DE AUTODIAGNÓSTICO:

El circuito de autodiagnóstico integrado realizará automáticamente pruebas mensuales de 30 segundos y anuales de 90 minutos para verificar la capacidad de emergencia adecuada según los requisitos del Código de seguridad humana.

CUALQUIER SERVICIO INDICADO POR ESTAS VERIFICACIONES DEBERÁ REALIZARLO EL PERSONAL CALIFICADO EL CONTROLADOR DE EMERGENCIA Y EL CONTROLADOR DE CA DEBEN ALIMENTARSE DEL MISMO CIRCUITO DERIVADO.

**FIGURA 5**





# INSTRUCCIONES DE INSTALACIÓN

## Serie C-HB-B-RD

Documento LPN00617X0001A2\_A Fecha: 24-06-2021  
Creado por: TMT

### CONEXIONES ELÉCTRICAS: UNIDADES QUE NO SON DE EMERGENCIA

La luminaria está equipada con un controlador universal de voltaje de 120-277 V o un controlador de 347-480 V.  
**NOTA:** Asegúrese de que el rango del voltaje es compatible con el voltaje de suministro.

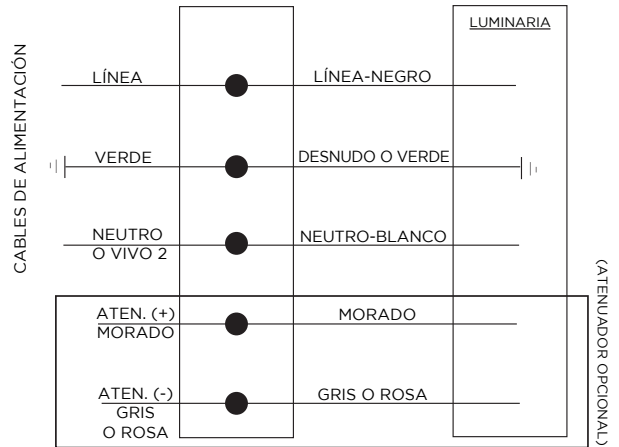
Realice las siguientes conexiones eléctricas:

1. Conecte el cable negro de la luminaria al cable de suministro de voltaje.
2. Conecte el cable blanco de la luminaria al cable neutro del suministro (vivo 2 para cableado de 208/240/480 V).
3. Conecte el cable expuesto o verde de tierra de la luminaria al cable de conexión a tierra del suministro.

#### ATENUACIÓN

Requiere el uso de un kit de accesorios de atenuación para extender los cables de atenuación.  
**NOTA:** La atenuación solo está disponible para luminarias equipadas con un controlador de voltaje universal de 120-277 V. La atenuación no está disponible para productos de 347-480 V.  
**NOTA:** Si se utiliza el accesorio del sensor de movimiento, la atenuación será controlada por el sensor de movimiento. Asegúrese de que los cables de atenuación morado y gris o rosa estén cubiertos.  
**NOTA:** Si no se utiliza atenuación, cubra los cables gris o rosa y morado del cable que sale de la parte superior de la luminaria.

1. Desatornille la tuerca de sujeción del cable y retire la mordaza de cableado y el buje del extremo del conector impermeable que no tiene un cable. Consulte la **Figura 6**.
2. Desatornille la cubierta de terminales expuesta para exponer el bloque de terminales.
3. Pase el cable de atenuación (cable con cables internos gris o rosa y morado) que sale de la parte superior de la luminaria a través de la tuerca de la mordaza de cableado, el buje y la cubierta del terminal en la dirección que se muestra en la **Figura 6**.
4. Desprenda 1" (25 mm) el aislamiento exterior del cable de atenuación.
5. Desprenda 1/4" (6 mm) los extremos de los cables gris o rosa y morado.
6. Inserte los extremos expuestos de los cables morado y gris o rosa en el bloque de terminales. Inserte el cable morado en el terminal 1 y el cable gris o rosa en el terminal 2. Consulte la **Figura 7**.
7. Apriete los tornillos del terminal a 8 in-lb (0,9 N·m).
8. Atornille la cubierta de terminales sobre los terminales. No apriete excesivamente el conjunto para evitar daños al conector.
9. Empuje el buje hacia atrás en la cubierta del terminal.
10. Apriete la tuerca de la mordaza de cableado en la cubierta del terminal. No apriete excesivamente para evitar daños a la cubierta del terminal.
11. Conecte el cable morado del extremo opuesto del cable de atenuación al cable de atenuación positivo de suministro.
12. Conecte el cable morado del extremo opuesto del cable de atenuación al cable de negativo de suministro del atenuador.



- \*\* NOTA:** Si se utiliza el accesorio del sensor de movimiento, la atenuación será controlada por el sensor de movimiento. Cubra los cables de atenuación.
- \*\* NOTA:** La atenuación no está disponible para productos de 347-480 V

FIGURA 6

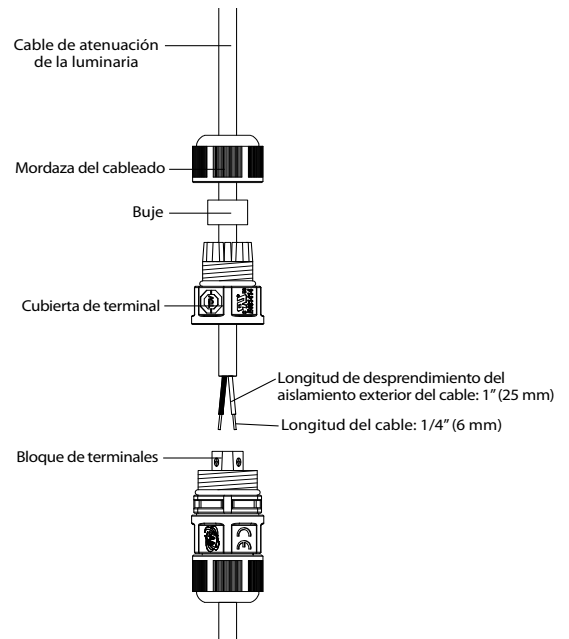
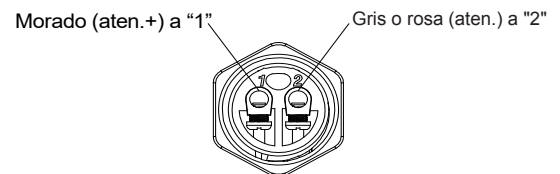


FIGURA 7



# INSTRUCCIONES DE INSTALACIÓN

## Serie C-HB-B-RD

Documento	LPN00617X0001A2_A	Fecha:	24-06-2021
Creado por:	TMT		

### CONEXIONES ELÉCTRICAS: UNIDADES DE EMERGENCIA

**NOTA:** El controlador de emergencia y el controlador de CA deben alimentarse del mismo circuito derivado.

Realice las siguientes conexiones eléctricas:

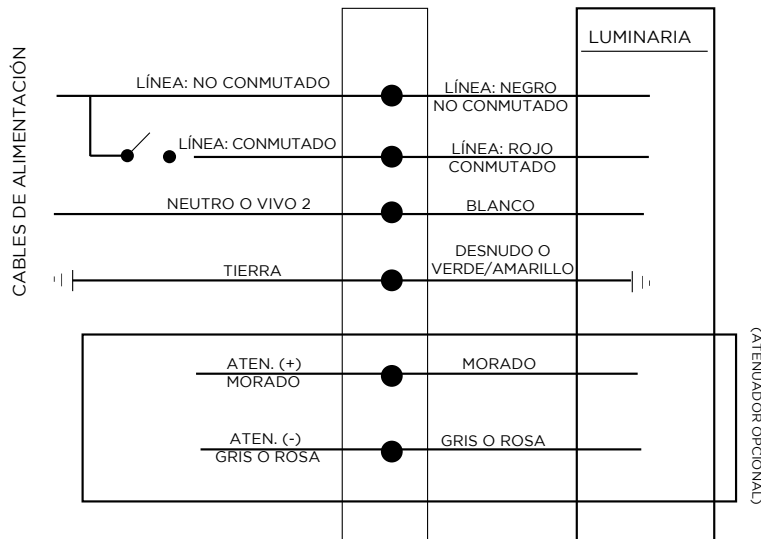
1. Conecte el cable negro de la luminaria al cable no conmutado del suministro.
2. Conecte el cable rojo de la luminaria al cable conmutado del suministro de voltaje.
3. Conecte el cable blanco de la luminaria al cable neutro del suministro (vivo 2 para cableado de 208/240/480 V).
4. Conecte el cable expuesto o verde de tierra de la luminaria al cable de conexión a tierra del suministro.
5. Si se utiliza atenuación de 0/1-10 V, conecte el cable morado al cable positivo de atenuación del suministro. Para la atenuación, use métodos de cableado de clase 1 únicamente. Si no se utiliza atenuación, asegúrese de cubrir el cable morado y el cable de atenuación en espiral en la parte superior del gabinete del recinto de emergencia.  
**NOTA:** Si se utiliza el accesorio del sensor de movimiento, la atenuación será controlada por el sensor de movimiento. Cubra el cable morado y el cable de atenuación en espiral de la parte superior del recinto del controlador de emergencia.
6. Si se utiliza atenuación de 0/1-10 V, conecte el cable gris o rosa al cable negativo de atenuación del suministro. Para la atenuación, use métodos de cableado de clase 1 únicamente. Si no se utiliza atenuación, asegúrese de cubrir el cable gris o rosa y el cable de atenuación en espiral de la parte superior del recinto del controlador de emergencia.  
**NOTA:** Si se utiliza el accesorio del sensor de movimiento, la atenuación será controlada por el sensor de movimiento. Cubra el cable gris o rosa y el cable de atenuación en espiral de la parte superior del recinto del controlador de emergencia.

### AVISO DE LA FCC

**PRECAUCIÓN:** Los cambios o modificaciones que no se autoricen expresamente podrían invalidar su autoridad para usar este equipo.

Este dispositivo cumple con la Sección 15 de las normativas de la FCC. El uso está sujeto a las dos condiciones siguientes: (1) Este dispositivo no debe causar interferencias dañinas y (2) este dispositivo debe aceptar cualquier interferencia recibida, incluyendo aquellas que puedan causar un uso indeseado.

Este equipo ha sido sometido a pruebas y cumple con los límites de un dispositivo digital Clase A, de acuerdo con el apartado 15 de las normas de la FCC. Estos límites están diseñados para ofrecer protección razonable contra interferencias dañinas cuando el equipo se opera en un entorno comercial. Este equipo genera, usa y puede irradiar energía de radiofrecuencia y, si no se le instala y usa de acuerdo con el manual de instrucciones, puede causar interferencias dañinas a las comunicaciones de radio. Es probable que el uso de este equipo en un área residencial cause interferencias perjudiciales, en cuyo caso el usuario deberá corregir dicha interferencia por su propia cuenta.  
CAN ICES-005 (A)/NMB-005 (A)



**\*\* NOTA:** Si se utiliza el accesorio del sensor de movimiento, la atenuación será controlada por el sensor de movimiento. Cubra los cables de atenuación.

**\*\* NOTA:** La atenuación no está disponible para productos de 347-480 V

# INSTRUCTIONS D'INSTALLATION

## Série C-HB-B-RD

# C-LITE

LED LIGHTING



MISES EN GARDE

## MESURES DE SÉCURITÉ IMPORTANTES

Lors de toute utilisation d'appareils électriques, les consignes de sécurité de base doivent toujours être respectées, dont les suivantes :

## LISEZ ET SUIVEZ TOUTES LES CONSIGNES DE SÉCURITÉ

- DANGER**- Risque de choc – Couper l'alimentation avant l'installation.  
**DANGER**- Risk of shock- Disconnect power before installation.
- Ce produit doit être installé conformément au NEC ou votre code électrique local. Si vous n'êtes pas familier avec ces codes et ces exigences, veuillez communiquer avec un électricien qualifié.  
*This luminaire must be installed in accordance with the NEC or your local electrical code. If you are not familiar with these codes and requirements, consult a qualified electrician.*
- Adapté aux emplacements mouillés.  
*Suitable for Wet Locations.*

## VEUILLEZ GARDER CES INSTRUCTIONS POUR RÉFÉRENCE ULTÉRIEURE

### INSTALLATION DES ACCESSOIRES POUR LENTILLE

#### Nécessite l'utilisation d'un jeu d'accessoires pour lentille tombante ou conique

- Positionnez la lentille sous le réflecteur, en alignant les inserts filetés moulés dans la lentille avec les trous dans le réflecteur. Voir **Figure 1**.
- Vissez les (4) vis à tête ronde M4x8 mm dans les trous du réflecteur et dans les inserts filetés dans la lentille. Serrez les vis pour retenir la lentille.  
**REMARQUE** : NE serrez PAS trop les vis pour éviter d'endommager la lentille ou le réflecteur.

### INSTALLATION DE L'ACCESSOIRE PROTÈGE-FILS

#### Nécessite l'utilisation du jeu d'accessoires protège-fils

**REMARQUE** : L'accessoire protège-fils nécessite l'utilisation d'un réflecteur pour le montage.

**REMARQUE** : L'accessoire protège-fils ne peut pas être utilisé en conjonction avec un accessoire de lentille.

- Placez le protège-fils sous le réflecteur, en alignant les écrous de fixation du protège-fils avec les trous du réflecteur. Voir **Figure 1**.
- Vissez les (4) vis à tête ronde M4x8 mm dans les trous du réflecteur et dans les écrous filetés du protège-fils. Serrez les vis pour retenir le protège-fils.  
**REMARQUE** : NE serrez PAS trop les vis pour éviter d'endommager le réflecteur.

Document	LPN00617X0001A2_A	Date :	24-06-2021
Créé par :	TMT		

### FIXATION DU RÉFLECTEUR

#### Nécessite l'utilisation d'un jeu d'accessoires pour réflecteur en aluminium ou prismatique

#### INSTALLATION DU RÉFLECTEUR 100/200 W

- Positionnez le réflecteur sous le boîtier à l'aide des (4) vis à tête ronde M4x16 mm fournies, situées entre les ailettes droites sur le dessus du boîtier. Voir **Figure 1**.
- Serrez les (4) vis à tête ronde M4x16 mm contre le haut du boîtier pour retenir le réflecteur. Assurez-vous que le réflecteur est centré sous le boîtier.

#### Installation du réflecteur 150/240 W

- Retirez la plaque d'adaptation du haut du réflecteur en enlevant les (4) vis à tête plate M4x8 mm qui maintiennent la plaque d'adaptation au réflecteur. Gardez les vis. Mettez de côté la plaque d'adaptation. Voir **Figure 2**.
- Installez les (2) supports de montage fournis sur le bord supérieur du réflecteur à l'aide des (4) vis à tête plate retirées à l'étape 1.  
**REMARQUE** : Pour l'installation du réflecteur prismatique, veillez à ne pas trop serrer les vis pour éviter d'endommager le réflecteur.
- Positionnez le réflecteur sous le boîtier à l'aide des (4) vis à tête ronde M4x16 mm fournies, situées entre les ailettes droites sur le dessus du boîtier. Voir **Figure 1**.
- Serrez les (4) vis à tête ronde M4x16 mm contre le haut du boîtier pour retenir le réflecteur. Assurez-vous que le réflecteur est centré sous le boîtier.

FIGURE 1

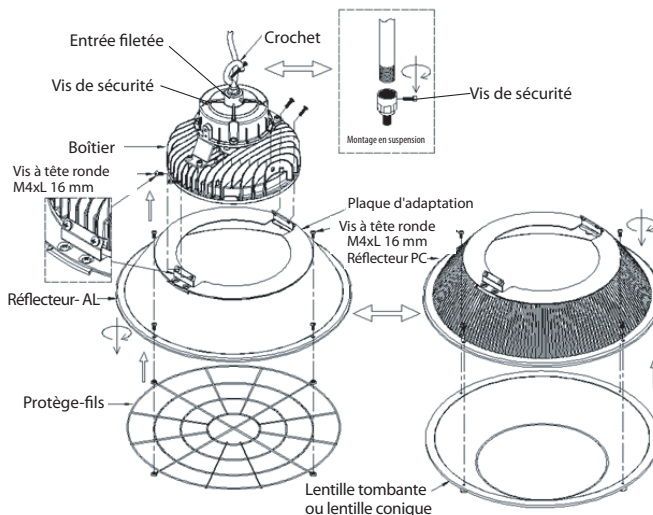
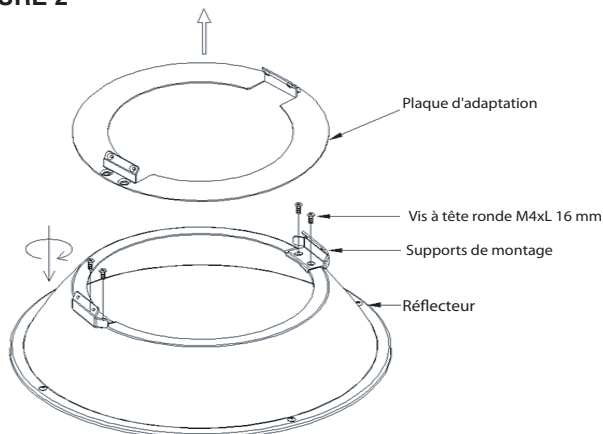


FIGURE 2



# INSTRUCTIONS D'INSTALLATION

## Série C-HB-B-RD

Document LPN00617X0001A2\_A Date : 24-06-2021  
Créé par : TMT

### INSTALLATION DU DÉTECTEUR DE MOUVEMENT (Nécessite l'utilisation du jeu détecteur de mouvement)

**REMARQUE :** L'accessoire détecteur de mouvement contrôlera la gradation. Bouchez les fils de gradation qui sortent par le haut du boîtier du luminaire.

- Dévissez le couvercle du détecteur existant dans le sens antihoraire pour le retirer du luminaire. Mettez de côté le couvercle du détecteur. Voir **Figure 3**.
- Vissez le nouveau module de détection de mouvement, fourni dans le jeu d'accessoires, sur la base filetée au centre du boîtier.
- Après avoir installé le luminaire et l'avoir mis sous tension, programmez le détecteur à l'aide de la télécommande en suivant les instructions fournies avec le jeu de télécommande pour détecteur de mouvement.

### MONTAGE DU CROCHET ET DU CORDON - UNITÉS SANS DISPOSITIF DE SECOURS

- Enfilez l'écrou hexagonal fourni sur l'arbre fileté du crochet. Voir **Figure 4**.
  - Rentrez le crochet dans le trou taraudé sur le dessus du boîtier du luminaire.
  - Serrez l'écrou hexagonal contre le haut du boîtier.
  - Serrez la vis de sécurité sur l'entrée du boîtier contre le crochet pour verrouiller le crochet en place.
  - Fixez le câble de sécurité fourni au luminaire et à la surface de montage à l'aide du crochet de sécurité. Voir **Figure 4**.
  - Desserrez la vis de retenue sur le crochet pour permettre au crochet de passer par le boulon à œil (non fourni) fixé à la surface de montage. Après avoir engagé le crochet dans le boulon à œil, resserrez la vis de retenue pour empêcher le crochet de se détacher du boulon à œil. Voir **Figure 4**.
- REMARQUE :** Assurez-vous que le boulon à œil et la structure de support ont un poids nominal approprié pour supporter le poids du luminaire [23 kg (50 lb)].
- Épissez les fils du cordon de l'appareil aux fils d'alimentation de la boîte de dérivation selon la section **Raccordements électriques**. Pour les applications avec gradation, un deuxième cordon avec des fils gris et violet sera de plus utilisé.
  - Fournissez l'alimentation au luminaire.

### MONTAGE DU CROCHET ET DU CORDON - UNITÉS AVEC DISPOSITIF DE SECOURS

- Rentrez le crochet fourni dans l'entrée filetée sur le dessus du convertisseur de secours. Voir **Figure 5**.
  - Serrez la vis de sécurité sur l'entrée supérieure du convertisseur de secours contre le crochet pour verrouiller le crochet en place.
  - Passez le crochet du luminaire dans le crochet du plafond. Voir **Figure 5**.
- REMARQUE :** Assurez-vous que le crochet de plafond et la structure de support ont un poids nominal approprié pour supporter le poids du luminaire [34 kg (75 lb)].
- Fixez le câble de sécurité fourni au luminaire et à la surface de montage à l'aide du crochet de sécurité. Voir **Figure 5**.
  - Épissez les fils du cordon de l'appareil aux fils d'alimentation de la boîte de dérivation selon la section **Raccordements électriques**. Pour les applications avec gradation, un deuxième cordon avec des fils gris et violet sera de plus utilisé.
  - Fournissez l'alimentation au luminaire.

FIGURE 3

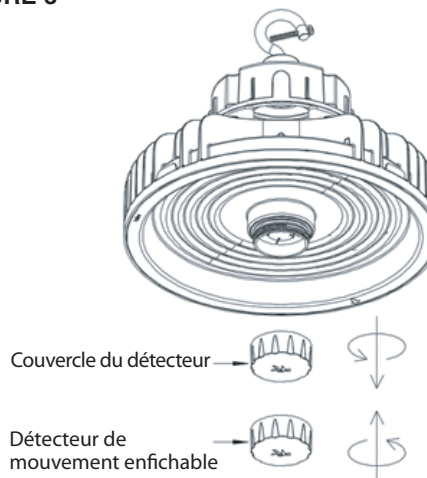
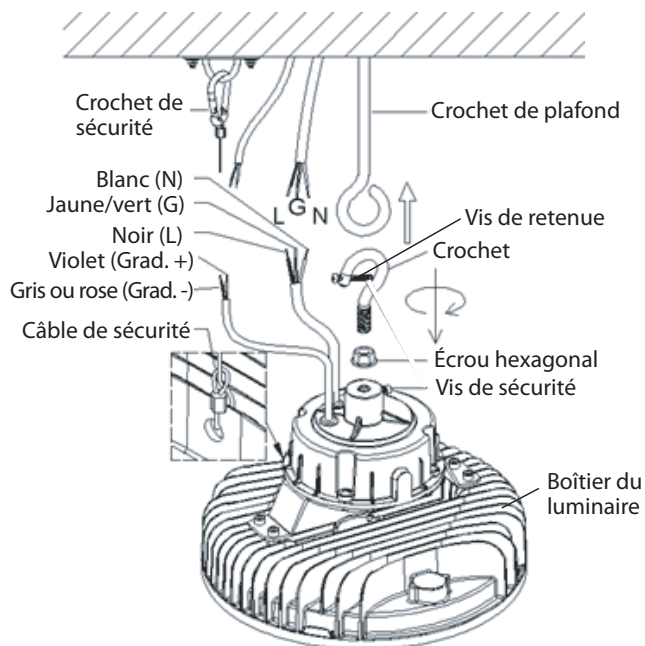


FIGURE 4



# INSTRUCTIONS D'INSTALLATION

## Série C-HB-B-RD

Document LPN00617X0001A2\_A Date : 24-06-2021  
Créé par : TMT

### MONTAGE EN SUSPENSION - UNITÉS SANS DISPOSITIF DE SECOURS (Nécessite l'utilisation de l'accessoire de montage en suspension)

1. Passez l'accessoire de montage en suspension dans le trou taraudé sur le dessus du luminaire. Voir **Figure 1**.
2. Serrez la vis de sécurité sur l'entrée du boîtier contre l'assemblage suspendu pour la bloquer en place.
3. Enfilez l'assemblage suspendu sur l'extrémité fileté 19 mm (3/4 po) de la suspension.
4. Serrez la vis de sécurité sur l'assemblage suspendu pour fixer le luminaire à la suspension.
5. Fixez le câble de sécurité fourni au luminaire et à la surface de montage à l'aide du crochet de sécurité. Voir **Figure 3**.
6. Épissez les fils du cordon de l'appareil aux fils d'alimentation de la boîte de dérivation selon la section **Raccordements électriques**. Pour les applications avec gradation, un deuxième cordon avec des fils gris et violet sera de plus utilisé.

### MONTAGE EN SUSPENSION - UNITÉS AVEC DISPOSITIF DE SECOURS (Nécessite l'utilisation de l'accessoire de montage en suspension)

1. Vissez l'entrée fileté du convertisseur de secours sur l'extrémité fileté 19 mm (3/4 po) de la suspension.  
**REMARQUE** : Assurez-vous que la suspension et le point de fixation à la structure ont le poids nominal approprié pour supporter le poids du luminaire [34 kg (75 lb)]. Voir **Figure 5**.
2. Serrez la vis de sécurité sur l'entrée fileté supérieure du convertisseur de secours contre la suspension pour verrouiller la suspension en place.
3. Fixez le câble de sécurité fourni au luminaire et à la surface de montage à l'aide du crochet de sécurité. Voir **Figure 5**.
4. Épissez les fils du cordon de l'appareil aux fils d'alimentation de la boîte de dérivation selon la section **Raccordements électriques**. Pour les applications avec gradation, un deuxième cordon avec des fils gris et violet sera de plus utilisé.
5. Fournissez l'alimentation au luminaire.

### VÉRIFICATION DU PILOTE DE SECOURS (Pour les luminaires équipés d'un pilote de secours)

**REMARQUE** : Pour effectuer un bref essai de la fonction d'urgence, la batterie doit être rechargée pendant au moins une heure. Le pilote de secours doit être chargé pendant au moins 24 heures avant d'effectuer un essai de longue durée.

#### TEST MANUEL :

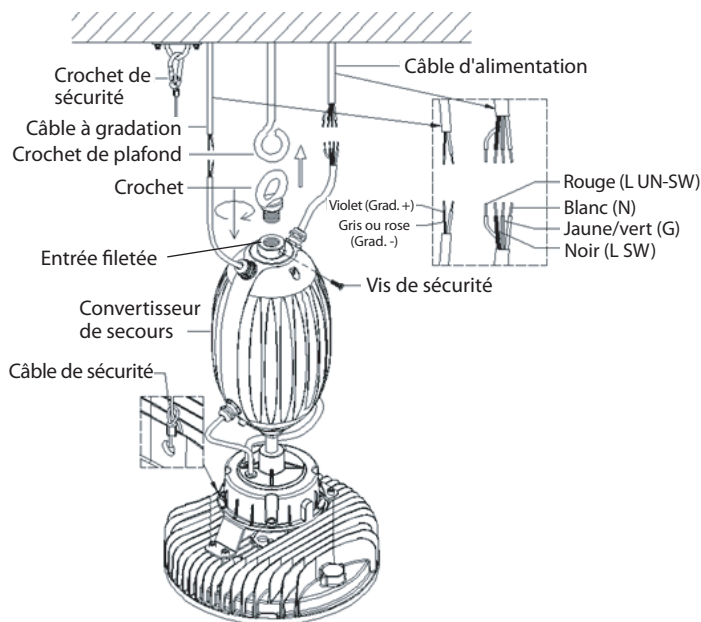
Appuyez sur le bouton test pour couper l'alimentation du pilote CA et faire passer le système en mode urgence. Relâchez le bouton test pour revenir au mode normal. Coupez le disjoncteur pour simuler une panne de courant générale.

#### FONCTIONNALITÉ AUTODIAGNOSTIC :

Les circuits d'autodiagnostic intégrés effectuent automatiquement des tests mensuels de 30 secondes et des tests annuels de 90 minutes pour vérifier la capacité de secours conformément aux exigences du Code de sécurité des personnes.

RAPPORTEZ TOUTE DÉFAILLANCE INDIQUÉE PAR CES CONTRÔLES À DU PERSONNEL DE RÉPARATION QUALIFIÉ LE PILOTE DE SECOURS ET LE PILOTE CA DOIVENT ÊTRE ALIMENTÉS DEPUIS LE MÊME CIRCUIT DE DÉRIVATION.

FIGURE 5





# INSTRUCTIONS D'INSTALLATION

## Série C-HB-B-RD

Document LPN00617X0001A2\_A Date : 24-06-2021  
Créé par : TMT

### RACCORDEMENTS ÉLECTRIQUES - UNITÉS SANS DISPOSITIFS DE SECOURS

Le luminaire est équipé d'un pilote de tension universelle 120-277 V ou d'un pilote 347-480 V.

**REMARQUE :** Assurez-vous que la plage de tension du luminaire est compatible avec la tension d'alimentation.

Effectuez les raccordements électriques suivants :

1. Raccordez le fil noir du luminaire au fil d'alimentation en tension.
2. Raccordez le fil blanc du luminaire au fil d'alimentation neutre (Phase 2 pour câblage 208/240/480 V).
3. Raccordez le fil de terre nu ou vert du luminaire au fil de terre de l'alimentation.

#### GRADATION

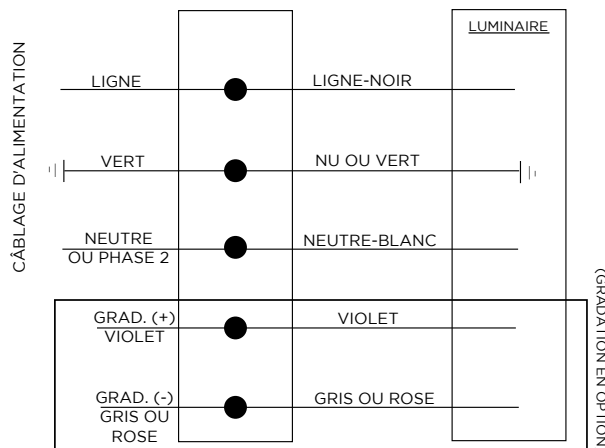
Nécessite l'utilisation du jeu d'accessoires de gradation pour prolonger les câbles de gradation.

**REMARQUE :** La gradation n'est disponible que pour les luminaires équipés d'un pilote de tension universelle 120-277 V. La gradation n'est pas disponible pour les appareils 347-480 V.

**REMARQUE :** Si l'accessoire détecteur de mouvement est utilisé, la gradation sera contrôlée par le détecteur de mouvement. Assurez-vous que les fils de gradation violet et gris ou rose sont bouchés.

**REMARQUE :** Si la gradation n'est pas utilisée, bouchez les fils gris ou rose et violet du cordon sortant du haut du luminaire.

1. Dévissez l'écrou de bride du cordon et retirez l'écrou de bride du cordon et la douille de l'extrémité du connecteur étanche qui n'a pas de cordon qui en sort. Voir **Figure 6**.
2. Dévissez le couvre-bornes exposé pour faire apparaître le bornier.
3. Acheminez le cordon de gradation (cordon avec fils internes gris ou rose et violet) sortant du haut du luminaire à travers l'écrou de bride du cordon, la douille et le couvre-bornes dans la direction indiquée dans la **Figure 6**.
4. Dénudez l'isolation sur la gaine extérieure du cordon de gradation sur 25 mm (1 po).
5. Dénudez les extrémités des fils gris ou rose et violet sur 6 mm (1/4 po).
6. Insérez les extrémités dénudées des fils violet et gris ou rose dans le bornier. Insérez le fil violet dans la borne 1 et le fil gris ou rose dans la borne 2. Voir **Figure 7**.
7. Serrez la vis de borne à 0,9 N·m (8 po-lb).
8. Vissez le couvre-bornes sur les bornes. Ne pas trop serrer pour éviter d'endommager le connecteur.
9. Repoussez la douille dans le couvre-bornes.
10. Serrez l'écrou de bride du cordon sur le couvre-bornes. Ne pas trop serrer pour éviter d'endommager le couvre-bornes.
11. Raccordez le fil violet sur l'extrémité opposée du cordon de gradation au fil positif de gradation de l'alimentation.
12. Raccordez le fil gris ou rose sur l'extrémité opposée du cordon de gradation au fil négatif de gradation de l'alimentation.



- \*\* REMARQUE :** Si l'accessoire détecteur de mouvement est utilisé, la gradation sera contrôlée par le détecteur de mouvement. Bouchez les fils de gradation.
- \*\* REMARQUE :** La gradation n'est pas disponible pour les appareils 347-480 V.

FIGURE 6

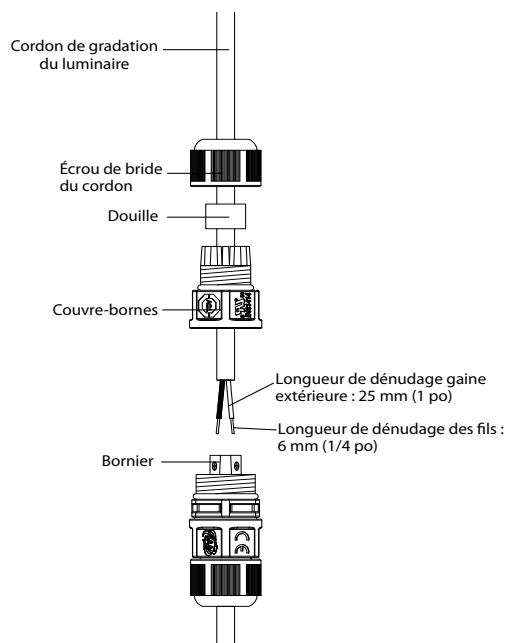
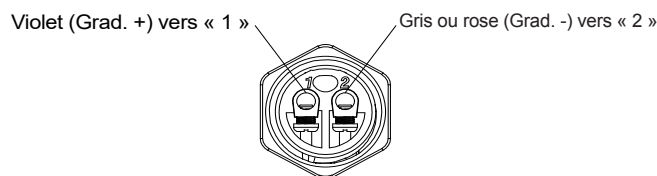


FIGURE 7



# INSTRUCTIONS D'INSTALLATION

## Série C-HB-B-RD

Document LPN00617X0001A2\_A Date : 24-06-2021  
Créé par : TMT

### RACCORDEMENTS ÉLECTRIQUES - UNITÉS DE SECOURS

### AVIS DE LA FCC

**REMARQUE :** Le pilote de secours et le pilote CA doivent être alimentés par le même circuit de dérivation.

**MISE EN GARDE :** Les changements ou modifications non expressément approuvés peuvent annuler votre droit à utiliser cet équipement.

Effectuez les raccordements électriques suivants :

Cet appareil est conforme avec la Partie 15 des Règlements de la FCC. L'utilisation est soumise aux deux conditions suivantes : (1) Cet appareil ne peut pas causer d'interférences nuisibles, et (2) cet appareil doit accepter toute interférence reçue, y compris les interférences pouvant causer un fonctionnement non désiré.

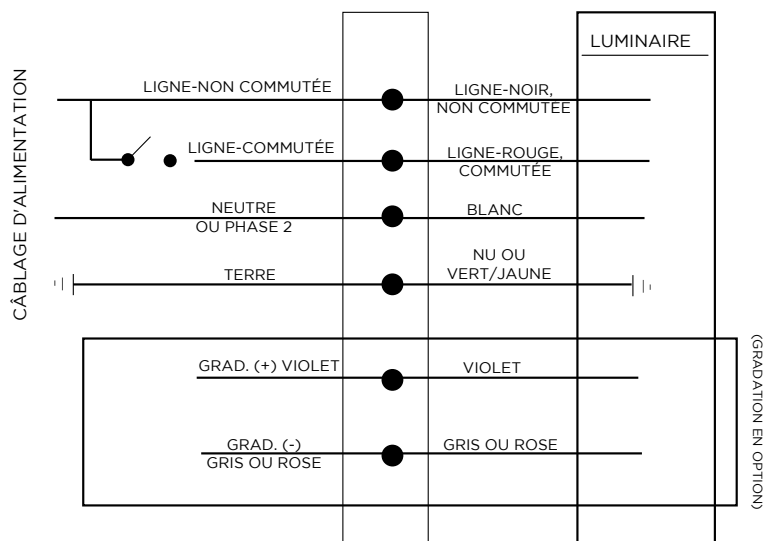
- Raccordez le fil noir du luminaire au fil d'alimentation en tension non commutée.
- Raccordez le fil rouge du luminaire au fil d'alimentation en tension commutée.
- Raccordez le fil blanc du luminaire au fil d'alimentation neutre (Phase 2 pour câblage 208/240/480 V).
- Raccordez le fil de terre nu ou vert du luminaire au fil de terre de l'alimentation.
- Si une gradation 0/1 à 10 V est utilisée, branchez le fil violet au fil de gradation positif de l'alimentation. Pour la gradation, utilisez seulement les méthodes de câblage de la classe 1. Si la gradation n'est pas utilisée, assurez-vous de boucher le fil violet et le cordon de gradation enroulé situé sur le dessus du boîtier du pilote de secours.

Cet équipement a été testé et déclaré conforme aux limitations applicables à un appareil numérique de classe A, conformément à la section 15 des règles de la FCC. Ces limites sont établies afin de fournir une protection raisonnable contre les interférences dommageables lorsque l'appareil est utilisé dans un environnement commercial. Cet équipement génère, utilise et peut émettre une énergie de fréquence radio et, si installé et utilisé non conformément aux instructions du manuel, peut causer une interférence nuisible aux communications radio. L'utilisation de cet équipement dans une zone résidentielle va sans doute causer une interférence nuisible où il sera requis que l'utilisateur corrige l'interférence à ses propres frais. CAN ICES-005 (A)/NMB-005 (A)

**REMARQUE :** Si l'accessoire détecteur de mouvement est utilisé, la gradation sera contrôlée par le détecteur de mouvement. Bouchez le fil violet et le cordon de gradation enroulé situé sur le dessus du boîtier du pilote de secours.

- Si la gradation 0/1 à 10 V est utilisée, raccordez le fil gris ou rose au fil de gradation négatif de l'alimentation. Pour la gradation, utilisez seulement les méthodes de câblage de la classe 1. Si la gradation n'est pas utilisée, assurez-vous de boucher le fil gris ou rose et le cordon de gradation enroulé situé sur le dessus du boîtier du pilote de secours.

**REMARQUE :** Si l'accessoire détecteur de mouvement est utilisé, la gradation sera contrôlée par le détecteur de mouvement. Bouchez le fil gris ou rose et le cordon de gradation enroulé situé sur le dessus du boîtier du pilote de secours.



**\*\* REMARQUE :** Si l'accessoire détecteur de mouvement est utilisé, la gradation sera contrôlée par le détecteur de mouvement. Bouchez les fils de gradation.

**\*\* REMARQUE :** La gradation n'est pas disponible pour les appareils 347-480 V.