

C-BD-A-BLD Series

LED Pathway Lights

Replaces 100W PSMH



LIGHT UP THE NIGHT

Designed to help increase security along perimeters and pathways, the C-Lite LED Pathway Light delivers 2450 lumens and features durable die-cast housing and a 5-year limited warranty. It's available in 36-inches or 42-inches and a medium bronze or black finish.



PRODUCT SPECIFICATIONS

OVERVIEW

- Initial Delivered Lumens: 2450 Lumens
- CRI: ≥ 70
- CCT: 4000K, 5000K
- Mounting height: Ground level
- Input Power: 20W
- Recommended Spacing: Up to 46-feet
- Operating Temperature Range: -40°F to 104°F (-40°C to 40°C)
- Estimated L_{70} Lifetime @ 25°C: > 100,000 hours
- Power Factor: >0.9
- Total Harmonic Distortion: <20%
- Limited Warranty: 5 Years*
- Replaces 100W PSMH

FEATURES	RECOMMENDED USE	INPUT VOLTAGE
<ul style="list-style-type: none"> • Replaces 100-watt Pulse Start Metal Halide (PSMH) • 36-inch or 42-inch LED Pathway Light with 2450 delivered lumens • 5-year limited warranty • Features quick connect for easy install 	<ul style="list-style-type: none"> • Security • Perimeter • Commercial 	<ul style="list-style-type: none"> • Universal (120V through 277V Operation)

ORDERING INFORMATION

Example SKU: C-BD-A-BLD-2L-40K-T5-36-MB

PRODUCT	SERIES	TYPE	LUMEN PACKAGE	CCT (COLOR TEMP)	DISTRIBUTION	HEIGHT	HOUSING COLOR
C-BD	A	BLD	2L	40K Neutral White (4000K) 20W 50K Cool White (5000K) 20W	T5 Type V Distribution	36 36-inches 42 42-inches	MB Medium Bronze BK Black

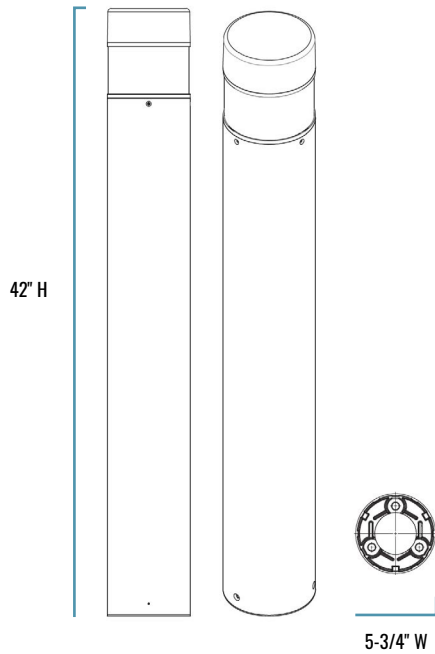
CERTIFICATIONS:



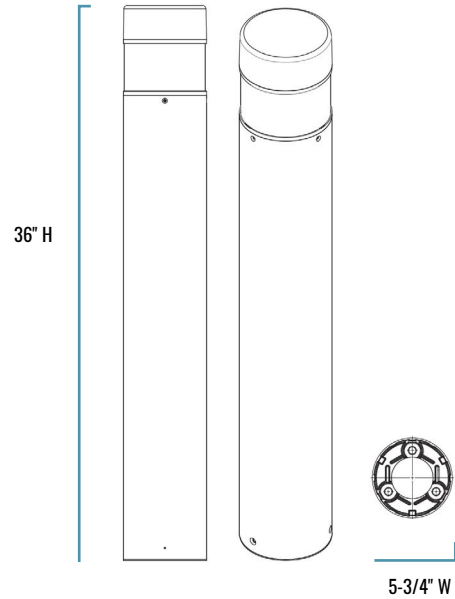
CA RESIDENTS WARNING: Cancer and Reproductive Harm – www.p65warnings.ca.gov

C-BD-A-BLD Series

42 INCH



36 INCH



SERIES OVERVIEW

DIMENSIONS	PRODUCT WEIGHT	MOUNTING HEIGHT	SPACING
C-BD-A-BLD-2L-40K-T5-36 C-BD-A-BLD-2L-50K-T5-36 36" H x 5-3/4" Dia	C-BD-A-BLD-2L-40K-T5-36 C-BD-A-BLD-2L-50K-T5-36 9.22 lbs.	Ground Level	Recommended spacing to achieve minimum security light levels: 36-inch can be spaced 40-feet apart 42-inch can be spaced 46-feet apart
C-BD-A-BLD-2L-40K-T5-42 C-BD-A-BLD-2L-50K-T5-42 42" H x 5-3/4" Dia	C-BD-A-BLD-2L-40K-T5-42 C-BD-A-BLD-2L-50K-T5-42 10.1 lbs.		

FIXTURE SPECIFICATIONS

HOUSING	Highly durable die-cast aluminum with a medium bronze or black powder coat finish
LENS ASSEMBLY	UV stabilized polycarbonate lens
MOUNTING	Mounts using included anchor bolts, 3 bolt system

C-BD-A-BLD Series

LUMINAIRE AND ELECTRICAL PERFORMANCE

OPERATING TEMPERATURE RANGE	ESTIMATED L ₇₀ LIFETIME @ 25°C (77°F)	POWER FACTOR	TOTAL HARMONIC DISTORTION
-40°F to 104°F (-40°C to 40°C)	>100,000 Hours	>0.9	<20%

SYSTEM WATTS (120-227V)	CURRENT DRAW (AMPS)			
	120V	208V	240V	277V
20W	0.158	0.091	0.079	0.069

WARRANTY AND CERTIFICATIONS

WARRANTY	UL LISTED	DLC	DIMMABLE
5 Year Limited*	Wet Locations	—	No

© 2023 Cree Lighting, A company of IDEAL INDUSTRIES. All rights reserved. For informational purposes only. Content is subject to change. Patent www.creelighting.com/patents. C-Lite and the C-Lite logo are registered trademarks of Cree Lighting. The UL logo is a registered trademark of UL LLC.