

C-EE-A-CHI-EX-REC-EL Series

Chicago-Approved LED Recessed Edgelit Exit/Stair Sign with Battery Backup Option



Exit This Way

Our C-Lite Chicago-Approved LED Recessed Edgelit Exit/Stair Sign with battery backup option features a UL listing, included mounting hardware, and a 5-year limited warranty. It's compatible with drywall or drop-through ceilings.



PRODUCT SPECIFICATIONS

OVERVIEW

- Input Power: 4.7W
- Plate (flush to ceiling): Silver
- Operating Temperature Range: 32°F to 122°F (0°C to 50°C)
- Limited Warranty: 5 Years*
- UL Listed
- 6" Red Letters
- Meets UL924, NFPA 101 Life Safety Code, NEC & OSHA codes

FEATURES	RECOMMENDED USE	INPUT VOLTAGE
<ul style="list-style-type: none"> • Chicago-Approved 	<ul style="list-style-type: none"> • Exit identification • Indoor commercial, retail & industrial applications 	<ul style="list-style-type: none"> • 120V or 277V Operation

ORDERING INFORMATION

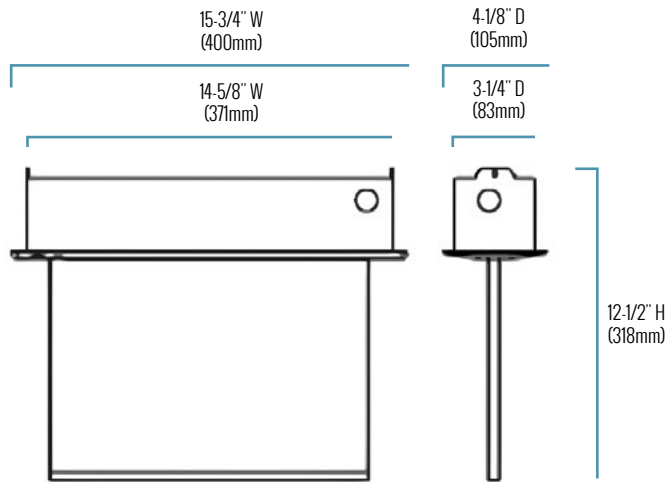
Example: C-EE-A-CHI-EX-REC-ELSF-RED-AC

C-EE	A	CHI		REC		RED		SV
PRODUCT	SERIES	CITY	TYPE	RECESSED	SINGLE/DOUBLE FACE	LETTER COLOR	BATTERY BACKUP	HOUSING FINISH COLOR
C-EE	A	CHI Chicago-Approved	EX LED Edgelit Exit Sign STR LED Edgelit Stair Sign	REC Recessed	ELSF Single Face ELDF Double Face	RED Red Letters	BB Battery Backup AC AC Only	SV Silver

CERTIFICATIONS:



C-EE-A-CHI-EX-REC-EL Series



SERIES OVERVIEW

DIMENSIONS	PRODUCT WEIGHT
15-3/4" W x 12-1/2" H x 4-1/8" D	7.2 lbs. (Without Battery Backup) 7.7 lbs. (With Battery Backup)

FIXTURE SPECIFICATIONS

HOUSING	Housing constructed with premium grade, extruded aluminum
MOUNTING	Compatible with drywall or drop ceilings (bar hangars included) Mounting hardware included
INCLUDES	Sealed 4.8 V maintenance-free nickel cadmium battery backup (90 min.) Charge/Power on indicator LED (battery recharges within 24 hours via internal solid-state, two-rate charger) Push-to-test switch

ELECTRICAL PERFORMANCE

OPERATING TEMPERATURE RANGE		DIMMABLE
32°F to 122°F (0°C to 50°C)		No
INPUT VOLTAGE	120V	277V
CURRENT DRAW (Amps):	0.042A	0.02A

WARRANTY AND CERTIFICATIONS

WARRANTY	UL LISTED
5-Year Limited (Housing & Electronics) 5-Year Pro-Rated (Battery)	Damp Locations

CA RESIDENTS WARNING: Cancer and Reproductive Harm - www.p65warnings.ca.gov

©2021 Cree Lighting, A company of IDEAL INDUSTRIES. All rights reserved. For informational purposes only. Content is subject to change. Patent www.creelighting.com/patents. C-Lite and the C-Lite logo are registered trademarks of Cree Lighting. The UL logo is a registered trademark of UL LLC.

US: creelighting.com, e-conolight.com

Distribution/Sales: 855-617-2733 Customer Service: 888-243-9445

Rev. Date: 02/01/2021

For informational purposes only. Content is subject to change. *See lighting.cree.com/warranty for details

C-LITE
LED LIGHTING