

C-EE-A-NYC-EX-SFC-3L Series

New York City-Approved Incandescent Single Face Exit & Emergency Combo
3 Adjustable Incandescent Heads | 6V Battery Backup



Make a Quick Exit

Our C-Lite New York City-Approved Incandescent Exit & Emergency Combo features a 5-year limited warranty on electronics and housing, as well as a 2-year warranty on the battery. It's durable and white powder-coated, for the ultimate in reliability. And, as a bonus, it's easy to install.



PRODUCT SPECIFICATIONS

OVERVIEW

- Input Power: Up to 14.3W
- Finish Color: White
- Operating Temperature Range: 68°F to 122°F (20°C to 50°C)
- Limited Warranty: 5 Year Limited (Housing & Electronics) 2-Year Pro-Rated (Battery)*
- UL Listed
- 8" Red Letters
- Meets UL924, NFPA 101 Life Safety Code, NEC & OSHA codes

FEATURES	RECOMMENDED USE	INPUT VOLTAGE
<ul style="list-style-type: none"> • New York City-Approved 	<ul style="list-style-type: none"> • Exit Identification & Emergency Lighting • Indoor Commercial, Retail & Industrial Applications in New York City 	<ul style="list-style-type: none"> • 120V or 277V Operation

ORDERING INFORMATION

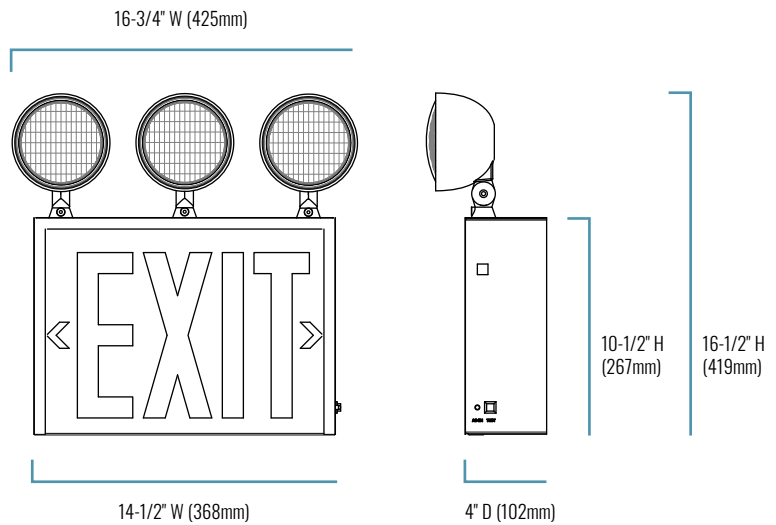
SKU: C-EE-A-NYC-EX-SFC-3LSF-BB-WH

C-EE	A	NYC	EX	SFC	3L	SF	BB	WH
PRODUCT	SERIES	CITY	IDENTIFICATION	MOUNTING	LAMPS	FACE	BATTERY BACKUP	COLOR
C-EE	A	NYC New York City-Approved	EX Incandescent Exit Sign	SFC Surface Mount	3L 3 Incandescent Lamp Heads	SF Single Face	BB Battery Backup	WH White Housing

CERTIFICATIONS:



C-EE-A-NYC-EX-SFC-3L Series



SERIES OVERVIEW

DIMENSIONS	PRODUCT WEIGHT
16-3/4" W x 16-1/2" H x 4-7/8" D	15.6 lbs.

FIXTURE SPECIFICATIONS

HOUSING	Housing constructed with premium grade, extruded aluminum
MOUNTING	Surface Mount Mounting hardware included
INCLUDES	Sealed 4.8V maintenance-free nickel cadmium battery backup (90 min.) Charge/Power on indicator LED (battery recharges within 24 hours via internal solid-state, two-rate charger) Push-to-test switch

ELECTRICAL PERFORMANCE

OPERATING TEMPERATURE RANGE		
68°F to 122°F (20°C to 50°C)		
INPUT VOLTAGE	120V	277V
CURRENT DRAW (Amps):	0.115A	0.056A

WARRANTY AND CERTIFICATIONS

WARRANTY	UL LISTED
5-Year Limited (Housing & Electronics) 2-Year Pro-Rated (Battery)*	Dry Locations

CA RESIDENTS WARNING: Cancer and Reproductive Harm –
www.p65warnings.ca.gov

©2023 Cree Lighting, A company of IDEAL INDUSTRIES. All rights reserved. For informational purposes only. Content is subject to change. Patent www.creelighting.com/patents. C-Lite and the C-Lite logo are registered trademarks of Cree Lighting. The UL logo is a registered trademark of UL LLC.

US: creelighting.com, e-conolight.com

Distribution/Sales: 855-617-2733 Customer Service: 888-243-9445

Rev. Date: 03/27/2023

For informational purposes only. Content is subject to change. *See lighting.cree.com/warranty for details

C-LITE
LED LIGHTING