

C-EE-A-NYC-EX-SFC Series

New York City-Approved LED Exit Sign | Single/Double Face

First-Class Exit Lighting

Our New York City-Approved C-Lite LED Exit Sign comes ready for single/double face application, with white housing. It's UL listed and features a 5-year limited warranty.



PRODUCT SPECIFICATIONS

OVERVIEW

- Input Power: 5W
- Finish Color: White
- Operating Temperature Range: 68°F to 122°F (20°C to 50°C)
- Limited Warranty: 5 Years*
- UL Listed
- 8" Red Letters
- Meets UL924, NFPA 101 Life Safety Code, NEC & OSHA codes

FEATURES	RECOMMENDED USE	INPUT VOLTAGE
<ul style="list-style-type: none"> • New York City-Approved 	<ul style="list-style-type: none"> • Exit identification • Indoor Commercial, Retail & Industrial Applications in New York City 	<ul style="list-style-type: none"> • 120V or 277V Operation

ORDERING INFORMATION

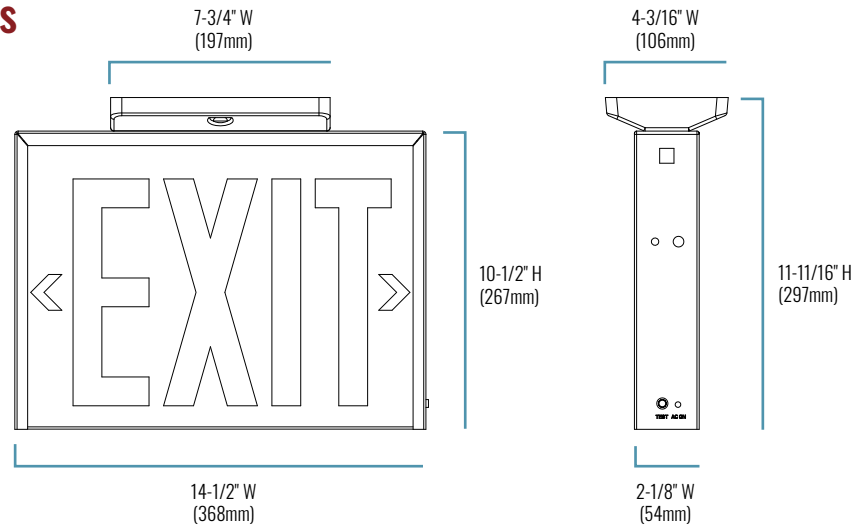
Example: C-EE-A-NYC-EX-SFC-DF-RED-BB-WH

C-EE	A	NYC	EX	SFC	DF	RED		WH
PRODUCT	SERIES	CITY	IDENTIFICATION	MOUNTING	FACE	COLOR	BATTERY BACKUP	HOUSING COLOR
C-EE	A	NYC New York City Approved	EX LED Exit Sign	SFC Surface Mount	DF Single/Double Face	RED Red Letters	BB Battery Backup AC AC Only	WH White

CERTIFICATIONS:



C-EE-A-NYC-EX-SFC Series



SERIES OVERVIEW

DIMENSIONS	PRODUCT WEIGHT
Sign Dimensions: 14-1/2" W x 10-1/2" H x 2-1/8" D	8 lbs.

FIXTURE SPECIFICATIONS

HOUSING	White powder-coated 20-gauge steel Field removable steel knockout Chevron directional indicators Unique design allows double face conversion in the field
MOUNTING	Aluminum mounting canopy included for top or end mount Universal knockout pattern on back plate for wall mount Knockout provided for conduit feed applications
INCLUDES	Charge/Power on indicator LED (battery recharges within 24 hours via internal solid-state, two-rate charger) Sealed 3.6V maintenance-free nickel cadmium battery backup (120 min.) Push-to-test switch (for BB models only)

ELECTRICAL PERFORMANCE

OPERATING TEMPERATURE RANGE		DIMMABLE
68°F to 122°F (20°C to 50°C)		No
INPUT VOLTAGE	120V	277V
CURRENT DRAW (Amps):	0.041A	0.018A

WARRANTY AND CERTIFICATIONS

WARRANTY	UL LISTED
5-Year Limited	Dry Locations

CA RESIDENTS WARNING: Cancer and Reproductive Harm –
www.p65warnings.ca.gov

©2021 Cree Lighting, A company of IDEAL INDUSTRIES. All rights reserved. For informational purposes only. Content is subject to change. Patent www.creelighting.com/patents. C-Lite and the C-Lite logo are registered trademarks of Cree Lighting. The UL logo is a registered trademark of UL LLC.

US: creelighting.com, e-conolight.com

Distribution/Sales: 855-617-2733 Customer Service: 888-243-9445

Rev. Date: 02/01/2021

For informational purposes only. Content is subject to change. *See lighting.cree.com/warranty for details

C-LITE
LED LIGHTING