

C-FL-A-RDM/RDW-7L/8L Series LED Bullet Flood Light - Large

Replaces 250W MH



SLEEK, ENERGY-EFFICIENT DESIGN

Our C-FL-A-RDM/RDW-7L/8L series LED Bullet Flood Light - Large, features a durable design and uses 75% less energy than a 250W MH. It's estimated to last over 100,000 hours and is a perfect option for flagpole illumination, added security around perimeters or highlighting displays.



Wide



Medium

PRODUCT SPECIFICATIONS

OVERVIEW

- Initial Delivered Lumens: 6900 - 7800 Lumens
- CRI: ≥ 70
- CCT: Neutral White (4000K), Cool White (5000K)
- Input Power: 72W
- Dimmable: No
- Distribution: 50° Beam Spread, 100° Beam Spread
- Operating Minimum: -40°F (-40°C)
- Lifespan: Estimated >100,000 Hours
- Power Factor: > 0.9
- Total Harmonic Distortion: < 20%
- Limited Warranty: 5 Years*
- Replaces 250W MH

EFFICIENT	VERSATILE	RECOMMENDED USE		INPUT VOLTAGE
<ul style="list-style-type: none"> • Uses 75% less energy than 250W MH 	<ul style="list-style-type: none"> • Medium (50°) and Wide (100°) distribution patterns for a variety of applications 	<ul style="list-style-type: none"> • Building facades • Security • Architectural Landscaping 	<ul style="list-style-type: none"> • Highlighting Signs & Displays • Flagpole Illumination 	<ul style="list-style-type: none"> • Universal (120V through 277V Operation)

ORDERING INFORMATION

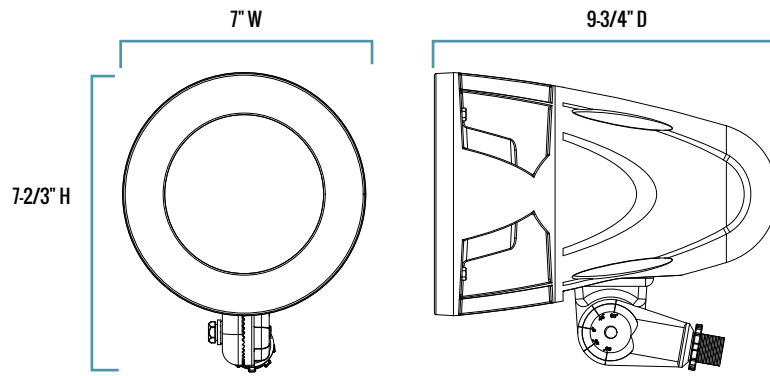
Example: C-FL-A-RDW-7L-40K-DB

PRODUCT	STYLE	LUMEN PACKAGE	CCT	COLOR
C-FL-A				DB
C-FL-A	RDW Directional Wide, 100° Beam Spread	7L 6900 Lumens, 40K, 72W 7000 Lumens, 50K, 72W	40K Neutral White (4000K) 50K Cool White (5000K)	DB Dark Bronze
	RDM Directional Medium, 50° Beam Spread	8L 7800 Lumens, 40K, 72W 7800 Lumens, 50K, 72W		

CERTIFICATIONS:



C-FL-A-RDW/RDM -7L/8L Series



SERIES OVERVIEW

DIMENSIONS	PRODUCT WEIGHT	MOUNTING HEIGHT	SPACING
9-3/4' D x 7' W x 7-2/3' H* *Height dimension includes 1/2-inch fitter	7.4 lbs.	N/A	N/A

FIXTURE SPECIFICATIONS

HOUSING	Low-copper, die-cast aluminum housing and lens frame Dark bronze polyester powder-coat finish
LENS ASSEMBLY	Tempered glass lens is thermal, shock and impact resistant
MOUNTING	1/2" NPS aluminum die-cast swivel fitter attaches to standard junction box

ELECTRICAL PERFORMANCE

OPERATING TEMPERATURE MINIMUM	LIFESPAN L ₇₀ AT 25°C (77°F)	POWER FACTOR	TOTAL HARMONIC DISTORTION	DIMMABLE
-40°F (-40°C)	Estimated >100,000 Hours	> 0.9	< 20%	No
INPUT VOLTAGE	120V	208V	240V	277V
CURRENT DRAW (Amps)	0.60A	0.34A	0.30A	0.26A

WARRANTY AND CERTIFICATIONS

WARRANTY	cULus LISTED	DLC
5 Year Limited*	Wet Locations	Standard* Select SKUs. See below:

*The following SKUs are DLC Standard: C-FL-A-RDM-8L-50K-DB, C-FL-A-RDM-8L-40K-DB

CA RESIDENTS WARNING: Cancer and Reproductive Harm -
www.p65warnings.ca.gov

© 2021 Cree Lighting, A company of IDEAL INDUSTRIES. All rights reserved. For informational purposes only. Content is subject to change. Patent www.creelighting.com/patents. C-Lite and the C-Lite logo are registered trademarks of Cree Lighting. The cULus logo is a registered trademark of UL LLC. The DLC QPL logo and the DLC QPL Premium logo are registered trademarks of Northeast Efficiency Partnerships, Inc.

US: creelighting.com, e-conolight.com

Distribution/Sales: 855-617-2733 Customer Services: 888-243-9445

Rev. Date: 02/22/2021

For informational purposes only. Content is subject to change. *See lighting.cree.com/warranty for details

C-LITE
LED LIGHTING