

C-WP-B-RDC Series

Cutoff LED Wall Pack

Replaces up to 400W PSMH



OFF THE WALL SAVINGS

Our cULus listed C-Lite Cutoff LED Wall Pack delivers up to 21,100 lumens and is available in 4000K and 5000K. It's dimmable, for maximum energy savings, and comes with a 5-year limited warranty. It also comes with a DLC Premium 5.1 Listing.



PRODUCT SPECIFICATIONS

OVERVIEW

- Initial Delivered Lumens: 1500 - 21,000 Lumens
- CRI: ≥ 70
- CCT: 4000K, 5000K
- Mounting height: 12 - 25 feet
- Input Power: 12W/22W/47W/77W/144W
- Dimmable: Yes, 0-10V
- Operating Temperature Range: -40°F to 104°F (-40°C to 40°C)
- Estimated L70 Lifetime @ 25°C: > 100,000 hours
- Power Factor: > 0.9
- Total Harmonic Distortion: < 20%
- Limited Warranty: 5 Years*
- Replaces up to 400 PSMH

FEATURES	RECOMMENDED USE	INPUT VOLTAGE
<ul style="list-style-type: none"> • Replaces up to 400W PSMH • 4kV Surge suppression • Contractor friendly install 	<ul style="list-style-type: none"> • Security • Perimeter • Commercial 	<ul style="list-style-type: none"> • Universal (120V through 277V Operation)

ORDERING INFORMATION

Example: C-WP-B-RDC-1L-40K-DB

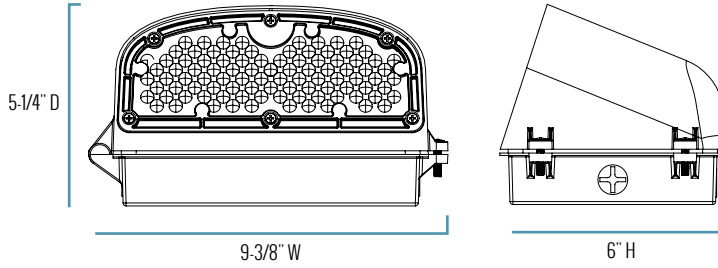
C-WP	B	RDC	LUMEN PACKAGE		CCT	DB
PRODUCT	SERIES	TYPE				COLOR
C-WP	B	RDC Round Cutoff	1L 1500L 12W 3L 3000L (4000K), 3100L (5000K) 22W 6L 6200L (4000K), 6300L (5000K) 47W	10L 10,600L 77W 20L 20,900L (4000K), 21,100L (5000K) 144W	40K 4000K (Neutral White) 50K 5000K (Cool White)	DB Dark Bronze

CERTIFICATIONS

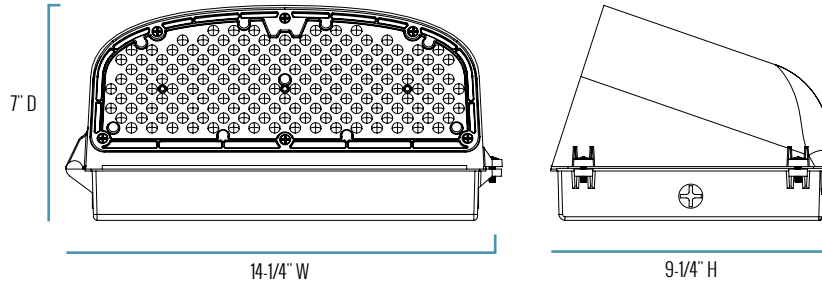


C-WP-B-RDC Series

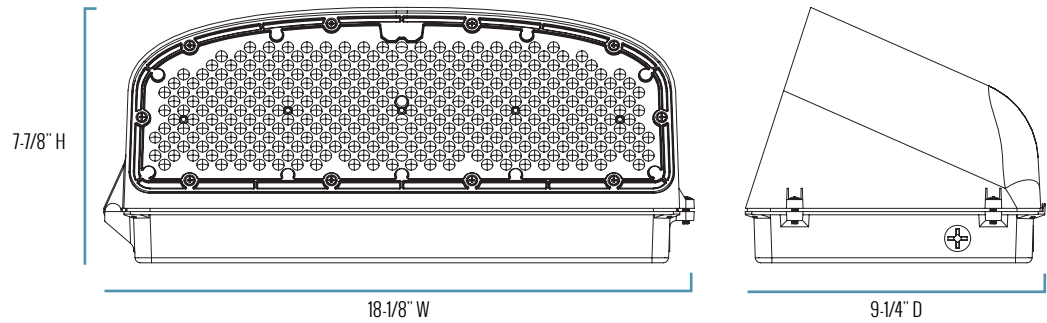
C-WP-B-RDC-1L, 3L



C-WP-B-RDC-6L, 10L



C-WP-B-RDC-20L



SERIES OVERVIEW

DIMENSIONS	PRODUCT WEIGHT	MOUNTING HEIGHT	RECOMMENDED SPACING
(C-WP-B-RDC-1L) 9-3/8" W x 6" H x 5-1/4" D	2.41 lbs.	12-20 feet	2-3x mounting height
(C-WP-B-RDC-3L) 9-3/8" W x 6" H x 5-1/4" D	2.58 lbs.	12-20 feet	
(C-WP-B-RDC-6L) 14-1/4" W x 9-1/4" H x 7" D	5.65 lbs.	12-20 feet	
(C-WP-B-RDC-10L) 14-1/4" W x 9-1/4" H x 7" D	6.07 lbs.	12-20 feet	
(C-WP-B-RDC-20L) 18-1/8" W x 9-1/4" H x 7-7/8" D	13.60 lbs.	12-25 feet	

C-WP-B-RDC Series

FIXTURE SPECIFICATIONS

HOUSING	Heavy duty die-cast aluminum with a durable powder coat dark bronze finish
LENS ASSEMBLY	Integrated UV stabilized polycarbonate lens, designed to control the light and offer the most efficiency on the product
MOUNTING	1/2-inch threaded knockouts provided for conduit entry or mount over a recessed j-box. Knockouts are located on both sides and the top of the back box

ELECTRICAL PERFORMANCE


OPERATING TEMPERATURE RANGE	ESTIMATED L70 LIFETIME @ 25°C (77°F)	POWER FACTOR	TOTAL HARMONIC DISTORTION
-40°F to 104°F (-40°C to 40°C)	>100,000 Hours	>0.9	< 20%

SKU	LUMEN OUTPUT	BUG RATINGS*	SYSTEM WATTS	CURRENT DRAW (AMPS)			
				120V	208V	240V	277V
C-WP-B-RDC-20L-50K-DB	21,100	B4-U3-G4	144W	1.8	1.3	1	0.8
C-WP-B-RDC-20L-40K-DB	20,900	B4-U3-G3					
C-WP-B-RDC-10L-50K-DB	10,600	B3-U2-G3	77W	0.9	0.6	0.5	0.35
C-WP-B-RDC-10L-40K-DB		B3-U3-G3					
C-WP-B-RDC-6L-50K-DB	6300	B2-U2-G2	47W	0.8	0.5	0.4	0.25
C-WP-B-RDC-6L-40K-DB	6200	B2-U2-G1					
C-WP-B-RDC-3L-50K-DB	3100	B1-U2-G1	22W	0.25	0.18	0.16	0.15
C-WP-B-RDC-3L-40K-DB	3000	B1-U2-G1					
C-WP-B-RDC-1L-50K-DB	1500	B1-U2-G1	12W	0.2	0.12	0.11	0.1
C-WP-B-RDC-1L-40K-DB		B1-U2-G1					

WARRANTY AND CERTIFICATIONS

WARRANTY	cULus LISTED	DLC	DIMMABLE
5 Year Limited*	Wet Locations	Premium 5.1	Yes. 0-10V Dimmable

ACCESSORIES

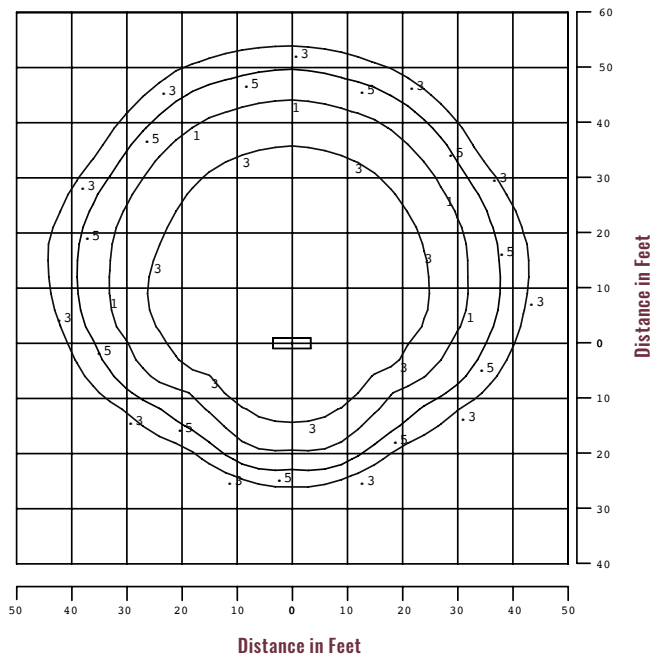
	UNIVERSAL BUTTON PHOTOCELL (120V-277V)
	SKU: JL-423CZ USE: Photocell is field installed and drilling of the back box is required.

C-WP-B-RDC Series

ISO PLOT CHART

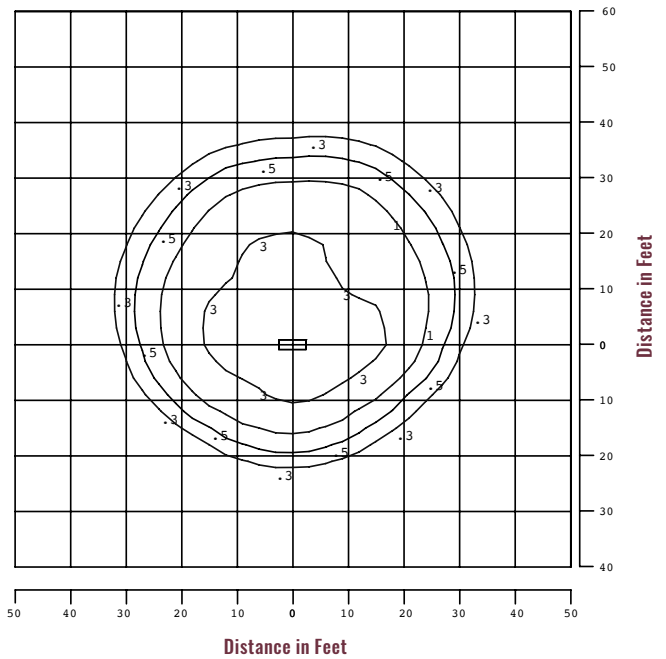
C-WP-B-RDC-20L-50K

Mounting height: 15'



C-WP-B-RDC-6L-50K

Mounting height: 15'



Note: All published photometric testing performed to IES LM-79-08 standards. Fixture photometry was completed on a single representative fixture. Foot candle levels are noted inside graph. **Visit e-conolight.com for the latest EPA data.**

© 2022 Cree Lighting, A company of IDEAL INDUSTRIES. All rights reserved. For informational purposes only. Content is subject to change. Patent www.creelighting.com/patents. C-Lite and the C-Lite logo are registered trademarks of Cree Lighting. Due to continuous product improvement, information in this document is subject to change. The cULus logo is a registered trademark of UL LLC. The DLC QPL logo and the DLC QPL Premium logo are registered trademarks of Northeast Efficiency Partnerships, Inc.

US- creelighting.com, e-conolight.com

Distribution/Sales: 855-617-2733 Customer Services: 888-243-9445

Rev. Date: 05/12/2022

For informational purposes only. Content is subject to change. *See lighting.cree.com/warranty for details

C-LITE
LED LIGHTING