

# E-CSA02 Series

LED Square Canopy Light  
Replaces 70W PSMH



**Extremely durable design and an efficacy up to 110 lumens per watt.**

## Performance

- Uses 67% less energy than comparable PSMH fixtures
- Type VS distribution pattern

## Recommended Use

- Security
- Perimeter Lighting
- Entryways
- Exterior canopies

## Durable

- Polyester powder-coat finish provides corrosion protection for long-lasting color
- UV-stabilized lens designed to last

## Input Voltage

- Universal (120V through 277V Operation)

## Certifications

**5 YEAR**  
WARRANTY

SUITABLE FOR  
**WET**  
LOCATIONS

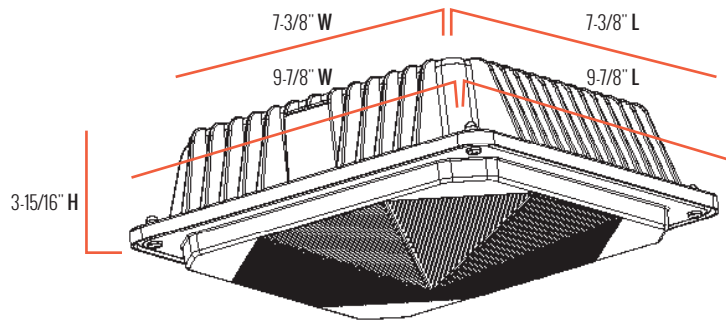
**UL**  
LISTED

**DLC**  
LISTED

e-conolight®

Quality Products, Affordably Priced.

## E-CSA02 Series



### Series Overview

DIMENSIONS	PRODUCT WEIGHT	MOUNTING HEIGHT	SPACING
7-3/8" L x 7-3/8" W x 3-15/16" H 9-7/8" L x 9-7/8" W (Outer Edge)	5.0 lbs.	8 to 15 feet	1 to 2 times the mounting height

### Fixture Specifications

<b>HOUSING</b>	Low-copper, die-cast aluminum housing Dark bronze or white polyester powder-coat finish
<b>LENS ASSEMBLY</b>	UV-stabilized acrylic prismatic refractor with self-retaining screws
<b>MOUNTING</b>	3/4" conduit entry on top for pendant mounting 1/2" conduit entries on two sides

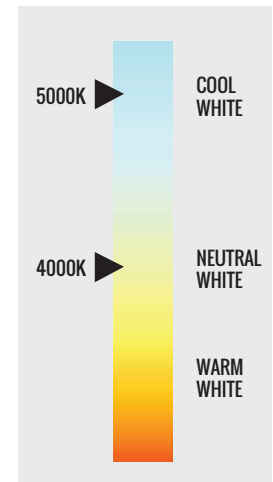
### Electrical Performance

OPERATING MINIMUM	LIFESPAN <small>L<sub>70</sub> AT 25°C (77°F)</small>	POWER FACTOR	TOTAL HARMONIC DISTORTION	DIMMABLE
-40°C (-40°F) - 40°C (140°F)	Estimated >100,000 Hours	> 0.9	< 15%	No
<b>INPUT VOLTAGE</b>	<b>120V</b>	<b>208V</b>	<b>240V</b>	<b>277V</b>
<b>Current Draw (Amps)</b>	0.23A	0.14A	0.12A	0.10A

### Warranty & Certifications

WARRANTY	UL LISTED	DLC	ENERGY STAR
5-Year Limited	Wet Locations - covered ceiling mount only. Not intended for use with direct exposure to high-pressure water.	Yes, Standard	---

### CORRELATED COLOR TEMPERATURE (CCT)



### Output Specifications

SKU	LIGHT OUTPUT	COLOR TEMP (See chart)	POWER CONSUMPTION	COLOR ACCURACY	REPLACES
<b>E-CSA02A-W50Z</b> (Dark Bronze)	3000 Lumens	Cool White (5000K)	28W	≥ 70 CRI	70W PSMH
<b>E-CSA02A-W40Z</b> (Dark Bronze)	3000 Lumens	Neutral White (4000K)	28W	≥ 70 CRI	70W PSMH
<b>E-CSA02A-W50W</b> (White)	3000 Lumens	Cool White (5000K)	28W	≥ 70 CRI	70W PSMH
<b>E-CSA02A-W40W</b> (White)	3000 Lumens	Neutral White (4000K)	28W	≥ 70 CRI	70W PSMH

Due to continuous product improvement, information in this document is subject to change.

Revision Date: 08/15/19

1501 96<sup>th</sup> Street, Sturtevant, WI 53177 | Phone (888) 243-9445 | Fax (262) 504-5409 | [www.e-conolight.com](http://www.e-conolight.com)

## E-CSA02 Series

### Photometric Diagrams

