

E-CSA04 Series

LED Square Canopy Light
Replaces 100W PSMH



Extremely durable design and an efficacy up to 115 lumens per watt.

Performance

- Uses 66% less energy than comparable PSMH fixtures
- Delivers 25% more light than comparable PSMH fixtures
- Type VS distribution pattern

Recommended Use

- Security
- Perimeter Lighting
- Entryways
- Exterior canopies

Durable

- Polyester powder-coat finish provides corrosion protection for long-lasting color
- UV-stabilized lens designed to last

Input Voltage

- Universal (120V through 277V Operation)

Certifications

5 YEAR
WARRANTY

SUITABLE FOR
WET
LOCATIONS

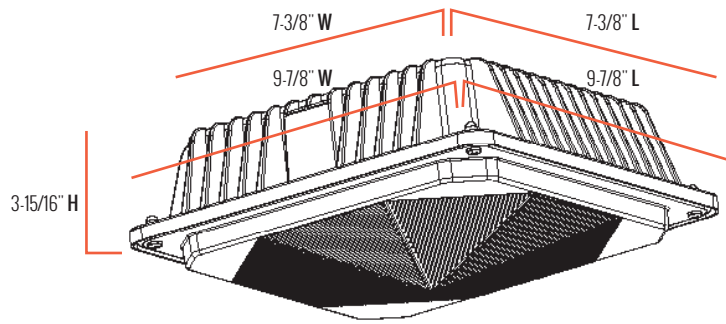
UL
LISTED

DLC
LISTED

e-conolight®

Quality Products, Affordably Priced.

E-CSA04 Series



Series Overview

DIMENSIONS	PRODUCT WEIGHT	MOUNTING HEIGHT	SPACING
7-3/8" L x 7-3/8" W x 3-15/16" H 9-7/8" L x 9-7/8" W (Outer Edge)	5.0 lbs.	8 to 15 feet	1 to 2 times the mounting height

Fixture Specifications

HOUSING	Low-copper, die-cast aluminum housing Dark bronze or white polyester powder-coat finish
LENS ASSEMBLY	UV-stabilized acrylic prismatic refractor with self-retaining screws
MOUNTING	3/4" conduit entry on top for pendant mounting 1/2" conduit entries on two sides

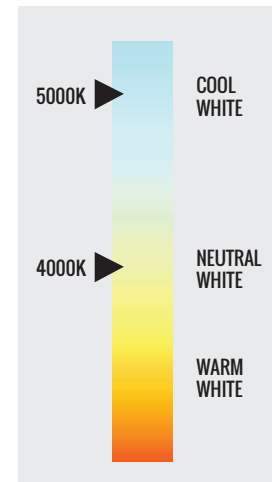
Electrical Performance

OPERATING MINIMUM	LIFESPAN <small>L₇₀ AT 25°C (77°F)</small>	POWER FACTOR	TOTAL HARMONIC DISTORTION	DIMMABLE
-40°C (-40°F) - 40°C (140°F)	Estimated >100,000 Hours	> 0.9	< 20%	No
INPUT VOLTAGE	120V	208V	240V	277V
Current Draw (Amps)	0.37A	0.22A	0.18A	0.16A

Warranty & Certifications

WARRANTY	UL LISTED	DLC	ENERGY STAR
5-Year Limited	Wet Locations - covered ceiling mount only. Not intended for use with direct exposure to high-pressure water.	Yes, Standard	---

CORRELATED COLOR TEMPERATURE (CCT)



Output Specifications

SKU	LIGHT OUTPUT	COLOR TEMP (See chart)	POWER CONSUMPTION	COLOR ACCURACY	REPLACES
E-CSA04A-W50Z (Dark Bronze)	4900 Lumens	Cool White (5000K)	44W	≥ 70 CRI	100W PSMH
E-CSA04A-W40Z (Dark Bronze)	4900 Lumens	Neutral White (4000K)	44W	≥ 70 CRI	100W PSMH
E-CSA04A-W50W (White)	4900 Lumens	Cool White (5000K)	44W	≥ 70 CRI	100W PSMH
E-CSA04A-W40W (White)	4900 Lumens	Neutral White (4000K)	44W	≥ 70 CRI	100W PSMH

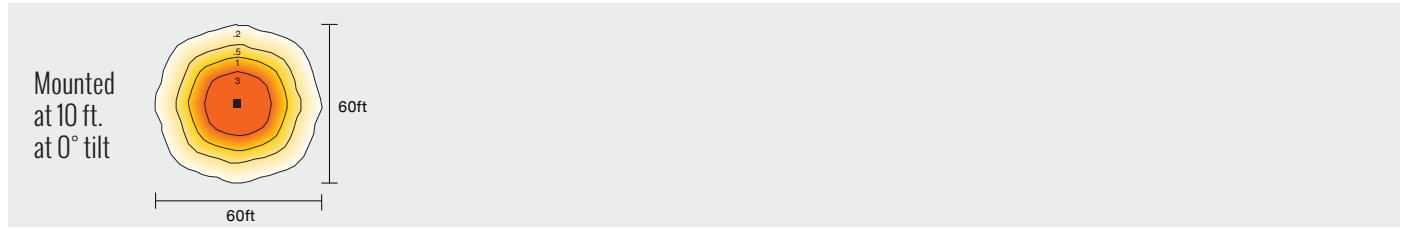
Due to continuous product improvement, information in this document is subject to change.

Revision Date: 08/15/19

1501 96th Street, Sturtevant, WI 53177 | Phone (888) 243-9445 | Fax (262) 504-5409 | www.e-conolight.com

E-CSA04 Series

Photometric Diagrams



Generational Chart

OLD SERIES	NEW SERIES
E-CC5 Series	E-CSA04 Series