

E-XCL2 Series

LED Exit Sign / Emergency Light with Battery Backup



Adaptability

- Remote Capable*
- Adjustable lighting heads
- 90 minute battery backup

* See page 3 for remote capable units

Input Voltage

- 120V or 277V Operation

Recommended Use

- Exit identification & emergency lighting
- Indoor commercial, retail & industrial applications

Certifications

5 YEAR
WARRANTY

DAMP
LOCATION SUITABLE

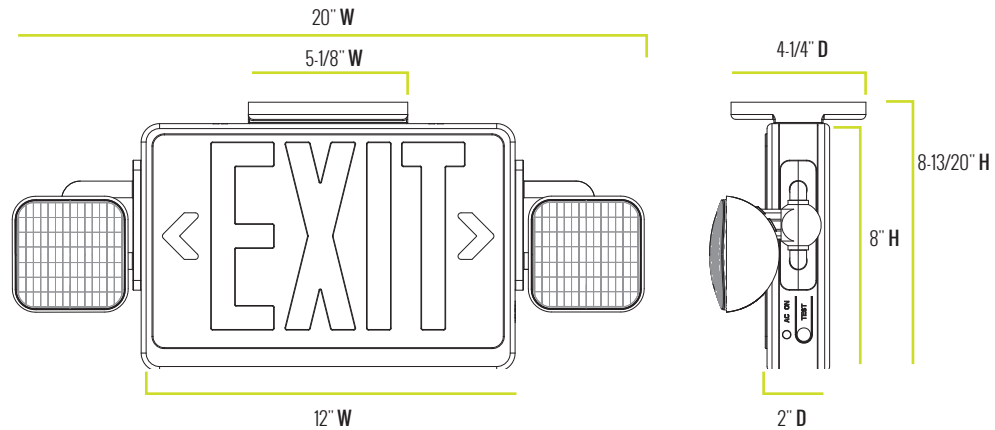
UL
LISTED

NON-DIMMABLE

On all Exit & Emergency fixtures with nickel cadmium batteries

e-conolight®

E-XCL2 Series



Series Overview

DIMENSIONS	PRODUCT WEIGHT	MOUNTING HEIGHT	SPACING
4-1/4" D x 20" W x 8-13/20" H Width includes heads fully extended Depth includes mounting plate	4.1 lbs. 4.2 lbs. (with battery backup)	8.5 ft (maximum)	---

Fixture Specifications

FEATURES	6" Letters Remote-capable units can accommodate 3W
HOUSING	Injection-molded, 5VA flame retardant thermoplastic housing Easy to remove and replace chevrons
MOUNTING	Easy-snap mounting canopy included for top mounting Universal knockout pattern on back plate for wall mount Mounting hardware included
INCLUDES	Two adjustable 1W LED lighting heads Sealed 9.6V maintenance-free nickel cadmium battery backup (Minimum 90 minute emergency illumination) Charge/Power on LED light indicator (battery recharges within 24 hours via internal solid-state, two-rate charger) Push-to-test switch
CERTIFICATIONS	Meets UL924, NFPA 101 Life Safety Code, NEC & OSHA codes

Electrical Performance

OPERATING MINIMUM	LIFESPAN <small>L₇₀ AT 25°C (77°F)</small>	POWER FACTOR	TOTAL HARMONIC DISTORTION	DIMMABLE
0°C (32°F) - 40°C (104°F)	---	---	---	No
INPUT VOLTAGE	120V	208V	240V	277V
Current Draw (Amps)	0.04A (E-XCL2RW)	---	---	0.02A (E-XCL2RW)
	0.03A (E-XCL2GW)			0.014A (E-XCL2GW)
	0.033A (E-XCL2RRCW)			0.015A (E-XCL2RRCW)
	0.038A (E-XCL2GRCW)			0.014A (E-XCL2GRCW)

Due to continuous product improvement, information in this document is subject to change.

Revision Date: 01/28/19

1501 96th Street, Sturtevant, WI 53177 | Phone (888) 243-9445 | Fax (262) 504-5409 | www.e-conolight.com

E-XCL2 Series

Warranty & Certifications





WARRANTY	UL LISTED
5-Year Limited (Housing & Electronics) 5-Year Pro-Rated (Batteries)	Damp Locations

Output Specifications

SKU	LIGHT OUTPUT	DESCRIPTION	POWER CONSUMPTION
E-XCL2RW	45 Lumens/Head	Red Letters Single / Double Face	3.7W at 120V 3.8W at 277V
E-XCL2GW		Green Letters Single / Double Face	
E-XCL2RRCW		Red Letters with Remote Capability* Single / Double Face	3.4W at 120V 3.6W at 277V
E-XCL2GRCW		Green Letters with Remote Capability* Single / Double Face	3.0W at 120V 3.2W at 277V

* Remote unit will run up to 3W remote load.

Remote Heads

SINGLE REMOTE HEAD	SKU/ DESCRIPTION	DOUBLE REMOTE HEAD	SKU/ DESCRIPTION
	E-XHL1DW 1W Single Remote Head - (White)		E-XHL2DW 1W Double Remote Head - 2W Total (White)
	E-XHL1WG 1W Single Remote Head - Wet-Listed (Gray)		E-XHL2WG 1W Double Remote Head - 2W Total, Wet-Listed (Gray)

Due to continuous product improvement, information in this document is subject to change.

Revision Date: 01/28/19

1501 96th Street, Sturtevant, WI 53177 | Phone (888) 243-9445 | Fax (262) 504-5409 | www.e-conolight.com

e-conolight®