

# E-SBA7 Series

LED Shoebox-Style Floodlight  
Replaces 320W PSMH/ 400W MH



Shown with 2" slip fitter  
(sold separately)

## The Traditional Style You Love, Paired with the Energy Savings You Desire (up to 65%)

### Efficient

- Over 75% energy savings compared to HID
- LED technology for reduced maintenance cycles

### Recommended Use

- Parking lots
- Perimeter lighting for storage areas
- General area lighting

### Flexible

- NEMA 7 beam angle for 110° flood (wide) distribution

### Input Voltage

- Universal (120V through 277V Operation)

### Certifications

**CREE** LEDs

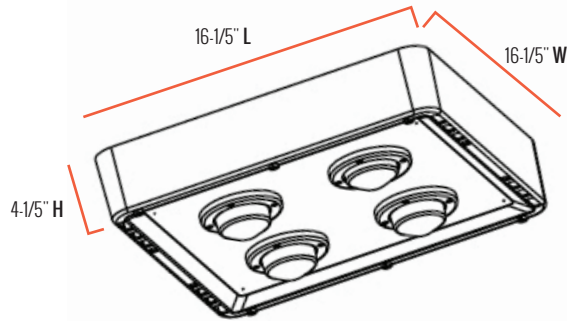
**5 YEAR** WARRANTY

SUITABLE FOR  
**WET**  
LOCATIONS

**UL**  
LISTED

**e-conolight**<sup>®</sup>

## E-SBA7 Series



### Series Overview

DIMENSIONS	PRODUCT WEIGHT	MOUNTING HEIGHT	SPACING
16-1/5" L x 16-1/5" W x 4-1/5" H	18 lbs.	15 to 25 feet	---

### Fixture Specifications

<b>HOUSING</b>	Durable, die-cast aluminum housing with heat dissipating fins Dark bronze polyester powder-coat finish
<b>LENS ASSEMBLY</b>	NEMA 7 optics for uniform light distribution
<b>MOUNTING</b>	Fixture comes without mounting (sold separately) Can be tilted from 0° (downlight) through 180° (uplight) Additional mounting accessories available on page 3

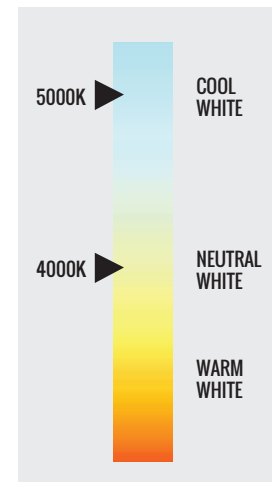
### Electrical Performance

OPERATING MINIMUM	LIFESPAN <small>L<sub>70</sub> AT 25°C (77°F)</small>	POWER FACTOR	TOTAL HARMONIC DISTORTION	DIMMABLE
-40°C (-40°F)	Estimated 127,000 Hours	> 0.9	< 20%	No
<b>INPUT VOLTAGE</b>	<b>120V</b>	<b>208V</b>	<b>240V</b>	<b>277V</b>
<b>Current Draw (Amps)</b>	1.10A	0.63A	0.55A	0.47A

### Warranty & Certifications

WARRANTY	UL LISTED	DLC	ENERGY STAR
5-Year Limited	Wet Locations	---	---

### CORRELATED COLOR TEMPERATURE (CCT)



### Output Specifications

SKU	LIGHT OUTPUT	COLOR TEMP (See chart)	POWER CONSUMPTION	COLOR ACCURACY	DISTRIBUTION	REPLACES
<b>E-SBA7L110CZ</b>	16,900 Lumens	Cool White (5000K)	119W	≥ 70 CRI	110° Flood (Wide)	320W PSMH / 400W MH
<b>E-SBA7L110NZ</b>		Neutral White (4000K)				

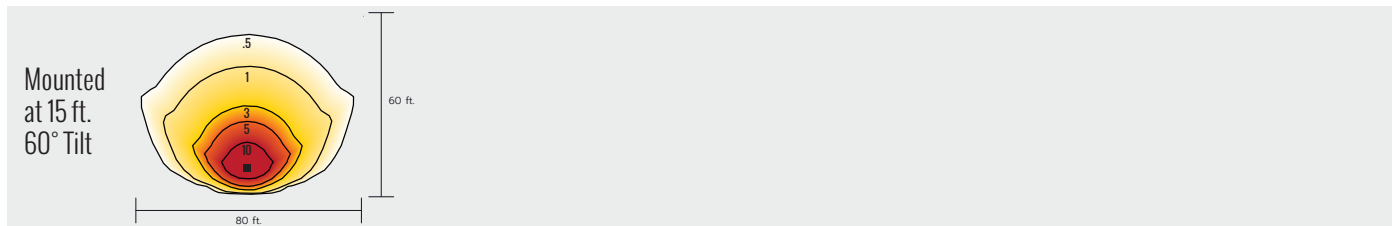
Due to continuous product improvement, information in this document is subject to change. The UL logo is a registered trademark of UL LLC. The DLC QPL logo and the DLC QPL Premium logo are registered trademarks of Northeast Efficiency Partnerships, Inc.

Revision Date: 07/19/18

1501 96<sup>th</sup> Street, Sturtevant, WI 53177 | Phone (888) 243-9445 | Fax (262) 504-5409 | [www.e-conolight.com](http://www.e-conolight.com)

## E-SBA7 Series

### Photometric Diagrams



All published photometric testing performed to IESNA LM-79-08 standards by a NVLAP certified laboratory. Fixture photometry was completed on a single representative fixture.

### Accessories



**Photocell - Button, 120V/208V/240V/277V**  
**SKU: E-ACP1 (120V)**  
**E-ACP2 (208V/240V/277V)**  
**USE:** Photocell is field installed  
 For use with 2" adjustable slip fitter only.  
 (Drilling of the back box in the field is required.)

### Mounting Options (Use only when mounting E-SBA7 Series Floodlights)



**2" Slip Fitter**  
**SKU: E-ACS**  
**USE:** For pole mounting  
 Fits over 2-3/8" O.D. pipe



**Adjustable U-Bracket**  
**SKU: E-ACUSB**  
**USE:** For wall mounting  
 For use with E-SBA only



**6" Mounting Arm**  
**SKU: E-ACESB**  
**USE:** For pole mounting  
 For use with E-SBA only

### Additional Mounting Options (Varies depending on application)

WALL MOUNT • Attaches to any flat surface • Provides wiring access		POLE MOUNT • For mounting one fixture on an existing pole	
	<b>Wall Mount Box with 2-3/8" O.D. Tenon</b> <b>SKU: E-ACWM1DB</b>		<b>4" Square Pole Mount with 2-3/8" O.D. Tenon</b> <b>SKU: E-ACPB1A4Z</b> <b>USE:</b> Fits over 3-1/2" O.D. square
	<b>Wall Mount Bracket with 2-3/8" O.D. Tenon</b> <b>SKU: E-ACWM2DB</b> <b>USE:</b> Allows fixture to be adjusted vertically	<b>GROUND MOUNT</b> • Provides wiring or conduit feed access through post base	
	<b>90° Wall Mount Bracket with 2-3/8" O.D. Tenon</b> <b>SKU: E-ACWM4DB</b> <b>USE:</b> Allows fixture to be adjusted vertically and horizontally		<b>Ground Mount Post</b> <b>SKU: E-ACGM1DB</b> <b>USE:</b> For ground mounted floodlight fixtures

Due to continuous product improvement, information in this document is subject to change. The UL logo is a registered trademark of UL LLC. The DLC QPL logo and the DLC QPL Premium logo are registered trademarks of Northeast Efficiency Partnerships, Inc.

Revision Date: 07/19/18