

# E-HLD30 Series

Premium LED Linear High Bay  
Replaces 6-Lamp - T5HO 54W



## Demand more with Premium LED Linear High Bays:

- Over 130 lumens per watt - plus, dimming and surge protection come standard
- Motion sensor, wireguard, pendant mount kit, and more accessories
- A footprint that's 60% smaller than comparable technology

### Premium Design

- Vented steel design for optimal thermal management
- 10kA surge protection included

### Recommended Use

- Warehouses
- Industrial
- Retail

### High Performance

- Up to 57% energy savings compared to linear fluorescent fixtures
- High-powered, discrete LEDs are engineered for consistent coverage

### Input Voltage

- Universal (120V through 277V Operation)

### Certifications

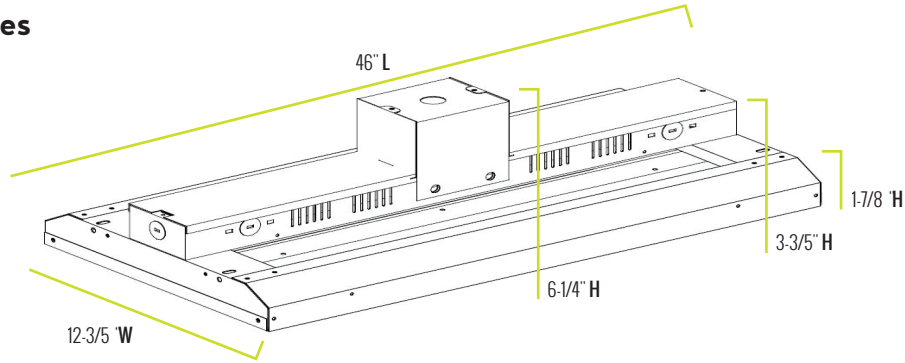
**5 YEAR**  
WARRANTY



"WARNING - Cancer and Reproductive Harm -  
[www.p65warnings.ca.gov](http://www.p65warnings.ca.gov)"



## E-HLD30 Series



### Series Overview

DIMENSIONS	PRODUCT WEIGHT	MOUNTING HEIGHT	SPACING
46" L x 12-3/5" W x 3-3/5" H	20.0 lbs.	25 to 40 feet	1 to 1-1/2 times the mounting height

### Fixture Specifications

<b>HOUSING</b>	Vented steel housing provides thermal management through natural convection
<b>LENS ASSEMBLY</b>	Clear acrylic lens
<b>WIRING</b>	Fixture can be wired in parallel, but not in series (daisy chained)
<b>MOUNTING</b>	Included v-hook and 39' chain Optional pendant mount kit (sold separately) Fixture must be a minimum of 7' below ceiling

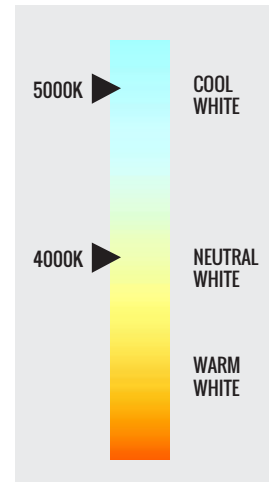
### Electrical Performance

OPERATING RANGE	LIFESPAN <small>L<sub>70</sub> AT 25°C (77°F)</small>	POWER FACTOR	TOTAL HARMONIC DISTORTION	DIMMABLE
-18°C -40°C (0°F - 104°F)	Estimated >100,000 Hours	> 0.98	< 10%	YES (0-10V)
<b>INPUT VOLTAGE</b>	<b>120V</b>	<b>208V</b>	<b>240V</b>	<b>277V</b>
<b>Current Draw (Amps)</b>	1.86A	1.1A	0.93A	0.81A

### Warranty & Certifications

WARRANTY	UL LISTED	DLC	ENERGY STAR
5-Year Limited	Damp Locations	Premium	---

### CORRELATED COLOR TEMPERATURE (CCT)



### Output Specifications

SKU	LIGHT OUTPUT	COLOR TEMP (See chart)	POWER CONSUMPTION	COLOR ACCURACY	REPLACES
<b>E-HLD30B-HK40UW</b>	30,000 Lumens (Clear)	Neutral White (4000K)	223W	80 CRI	6 Lamp - T5HO 54W
<b>E-HLD30B-HK50UW</b>	30,000 Lumens (Clear)	Cool White (5000K)	223W	80 CRI	6 Lamp - T5HO 54W

Due to continuous product improvement, information in this document is subject to change. The UL logo is a registered trademark of UL LLC. The DLC QPL logo and the DLC QPL Premium logo are registered trademarks of Northeast Efficiency Partnerships, Inc.

Revision Date: 12/07/18

1501 96<sup>th</sup> Street, Sturtevant, WI 53177 | Phone (888) 243-9445 | Fax (262) 504-5409 | [www.e-conolight.com](http://www.e-conolight.com)

## E-HLD30 Series

### Accessories (available with fixture purchase only)



**PIR Motion Sensor**  
On/Off functionality (no dim setting)  
SKU: **E-HLD-MS-PIR**



**6' Cord with Twist-Lock Plug**  
SKU: **E-1CP61** (120V)  
**E-1CP62** (277V)  
**E-1CP64** (208V or 240V)



**Pendant Mount Kit**  
SKU: **E-HLD-MT-PD**



**Locking Type Receptacle**  
(3-Blade Twist-Lock)  
SKU: **E-ACRCPT31** (120V, 3-Wire, NEMA L5-15R)  
**E-ACRCPT32** (277V, 3-Wire, NEMA L7-15R)  
**E-ACRCPT34** (208V/240V, 3-Wire, NEMA L6-15R)



**6' Cord with Straight Blade Plug**  
Strain relief included  
SKU: **E-1CP61S** (120V)

### Size Comparison (LED vs. Fluorescent)



### Recommended Dimmers

- Lutron Diva DVSTV
- Lutron ID710-LFZ
- Cooper/Eaton WBSD-010SLD
- Lutron Nova-T
- Pass & Seymour CD4FBL

Due to continuous product improvement, information in this document is subject to change. The UL logo is a registered trademark of UL LLC. The DLC QPL logo and the DLC QPL Premium logo are registered trademarks of Northeast Efficiency Partnerships, Inc.

Revision Date: 12/07/18

1501 96<sup>th</sup> Street, Sturtevant, WI 53177 | Phone (888) 243-9445 | Fax (262) 504-5409 | [www.e-conolight.com](http://www.e-conolight.com)