

E-WFC03 Series

Premium LED Wall Pack - Small
Replaces 100W PSMH



Replace up to 100W PSMH

Eliminate glare and uplight with e-conolight's Premium LED Wall Pack.

Premium | Full Cutoff

- Stylish modern design
- High-quality aluminum construction
- Full cutoff design for direct downlight

Efficient

- Uses up to 60% less energy than previous models
- Long estimated lifetime and low energy usage
- Optional photocell

Recommended Use

- Security
- Pathways
- Perimeter lighting
- When control of spill light is important

Input Voltage

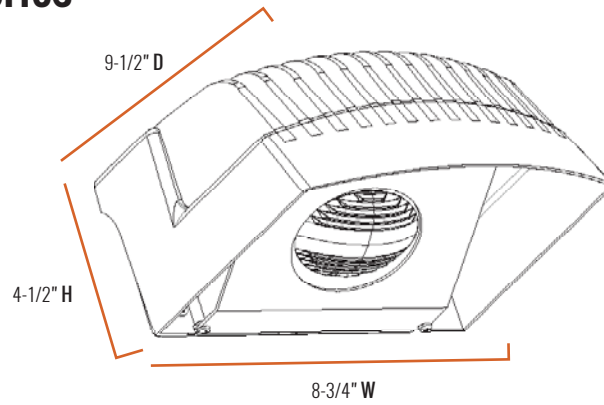
- Universal (120V through 277V Operation)

Certifications



Quality Products, Affordably Priced.

E-WFC03 Series



Series Overview

DIMENSIONS	PRODUCT WEIGHT	MOUNTING HEIGHT	SPACING
9-1/2" D x 8-3/4" W x 4-1/2" H	7.0 lbs.	8 to 15 feet	1 to 2 times the mounting height

Fixture Specifications

HOUSING	Low-copper, die-cast aluminum housing and lens frame Dark bronze polyester powder-coat finish Heat dissipating fins
LENS ASSEMBLY	Fixed cutoff glare shield to reduce light pollution Tempered glass lens is thermal, shock & impact resistant Patented lens design delivers true IES Type III distribution
MOUNTING	1/2" threaded conduit entries on two sides and bottom or mount over recessed junction box Die-cast detachable back box for easy mounting

Electrical Performance

OPERATING MINIMUM	LIFESPAN <small>L₇₀ AT 25°C (77°F)</small>	POWER FACTOR	TOTAL HARMONIC DISTORTION	DIMMABLE
-40°C (-40°F)	Estimated 50,000 Hours	> 0.9	< 20%	No
INPUT VOLTAGE	120V	208V	240V	277V
Current Draw (Amps)	0.28A	0.16A	0.14A	0.12A

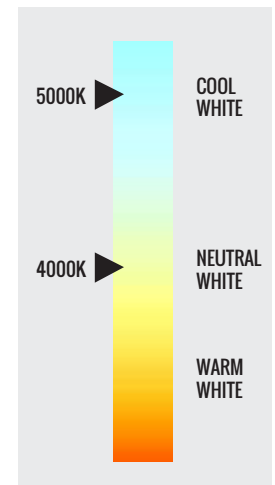
Warranty & Certifications

WARRANTY	UL LISTED	DLC
5-Year Limited	Wet Locations	Yes

Output Specifications

SKU	LIGHT OUTPUT	COLOR TEMP <small>(See chart)</small>	POWER CONSUMPTION	COLOR ACCURACY	REPLACES
E-WFC03A-F50Z	3600 Lumens	Cool White (5000K)	33W	≥ 70 CRI	100W PSMH
E-WFC03A-F40Z	3500 Lumens	Neutral White (4000K)	33W	≥ 70 CRI	100W PSMH

CORRELATED COLOR TEMPERATURE (CCT)



Due to continuous product improvement, information in this document is subject to change.
Revision Date: 08/15/19

E-WFC03 Series

Accessories

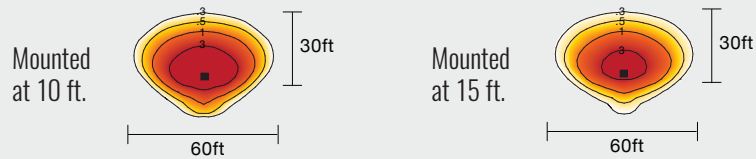


Photocell - Button, 120V/208V/240V/277V

SKU: **E-ACP1** (120V)
E-ACP2 (208V/240V/277V)

USE: Photocell is field installed.
Drilling of the back box in the field is required.

Photometric Diagrams



All published photometric testing performed to IESNA LM-79-08 standards by a NVLAP certified laboratory. Fixture photometry was completed on a single representative fixture.

WALL PACKS

Due to continuous product improvement, information in this document is subject to change. The UL logo is a registered trademark of UL LLC, information in this document is subject to change. The DLC QPL logo and the DLC QPL Premium logo are registered trademarks of Northeast Efficiency Partnerships, Inc.

Revision Date: 08/15/19

1501 96th Street, Sturtevant, WI 53177 | Phone (888) 243-9445 | Fax (262) 504-5409 | www.e-conolight.com

