

E-WFT13 Series

LED High-Output Traditional Style Wall Pack
Replaces 250W PSMH



The traditional look you love - in LED!

Efficient

- Uses 55% less energy compared to 250W PSMH

Durable

- Sturdy die-cast aluminum housing that will last as long as the LEDs inside

Recommended Use

- Security
- Pathways
- Perimeter lighting

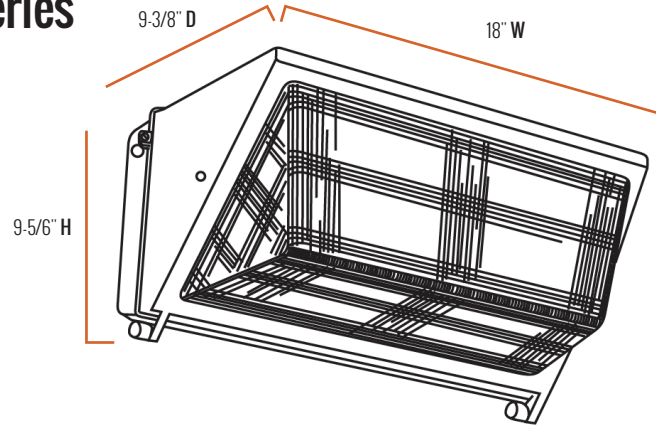
Input Voltage

- Universal (120V through 277V Operation)

Certifications



E-WFT13 Series



Series Overview

DIMENSIONS	PRODUCT WEIGHT	MOUNTING HEIGHT	SPACING
9-3/8" D x 18" W x 9-5/6" H	14.3 lbs.	12 to 20 feet	2 to 3 times the mounting height

Fixture Specifications

HOUSING	Heavy duty, die-cast aluminum housing with hinged door frame Dark bronze polyester powder-coat finish
LENS ASSEMBLY	Heat and shock-resistant borosilicate glass prismatic lens
MOUNTING	1/2" NPS knockouts on top and sides or rear mounting plate for conduit entry

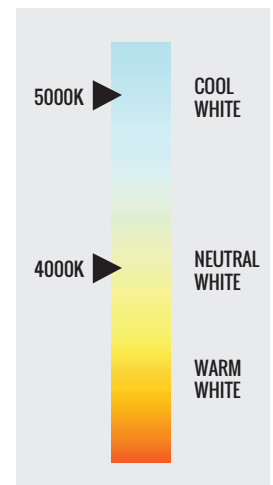
Electrical Performance

OPERATING MINIMUM	LIFESPAN <small>L₇₀ AT 25°C (77°F)</small>	POWER FACTOR	TOTAL HARMONIC DISTORTION	DIMMABLE
-40°C (-40°F)	Estimated 100,000 Hours	> 0.9	< 20%	No
INPUT VOLTAGE	120V	208V	240V	277V
Current Draw (Amps)	0.9A	0.52A	0.45A	0.39A

Warranty & Certifications

WARRANTY	UL LISTED	DLC
5-Year Limited	Wet Locations	Yes

CORRELATED COLOR TEMPERATURE (CCT)



Output Specifications

SKU	LIGHT OUTPUT	COLOR TEMP <small>(See chart)</small>	POWER CONSUMPTION	COLOR ACCURACY	REPLACES
E-WFT13A-N50Z	13,100 Lumens	Cool White (5000K)	108W	≥ 70 CRI	250W PSMH
E-WFT13A-N40Z	13,000 Lumens	Neutral White (4000K)	108W	≥ 70 CRI	250W PSMH

Due to continuous product improvement, information in this document is subject to change.

Revision Date: 09/26/17

1501 96th Street, Sturtevant, WI 53177 | Phone (888) 243-9445 | Fax (262) 504-5409 | www.e-conolight.com

E-WFT13 Series

Accessories



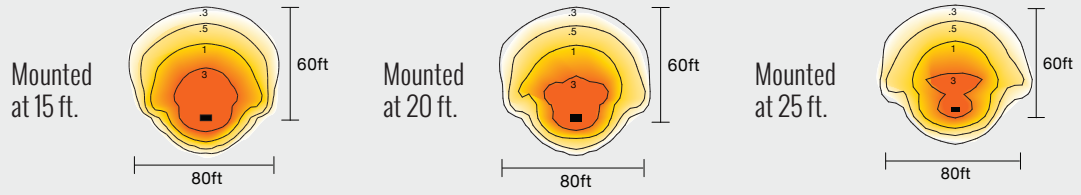
Photocell - Button, 120V/208V/240V/277V

SKU: E-ACP1 (120V)

E-ACP2 (208V/240V/277V)

USE: Photocell is field installed.
Drilling of the back box in the field is required.

Photometric Diagrams



All published photometric testing performed to IESNA LM-79-08 standards by a NVLAP certified laboratory. Fixture photometry was completed on a single representative fixture.