

E-WFT15 Series

LED High-Output Traditional Style Wall Pack
Replaces 320W PSMH / 400W MH



The traditional look you want - now in LED!

Efficient

- Unbelievable energy savings (uses 70% less than 400W MH)
- High-output, high-efficiency LED arrays

Durable

- Heat & shock-resistant borosilicate glass lens
- Heavy duty, die-cast aluminum housing

Recommended Use

- Security
- Pathways
- Perimeter lighting

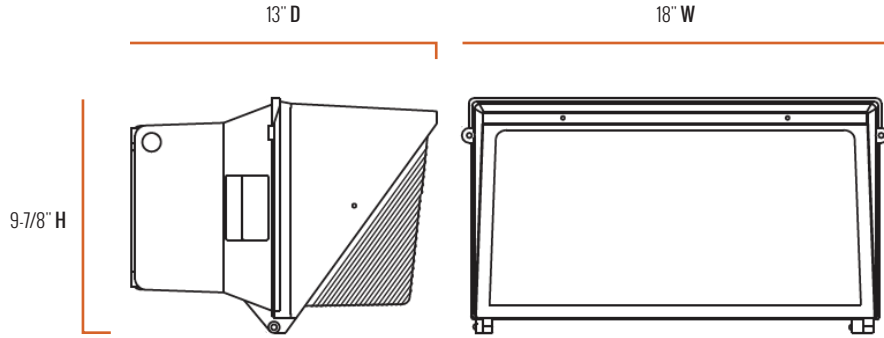
Input Voltage

- Universal (120V through 277V Operation)

Certifications



E-WFT15 Series



Series Overview

DIMENSIONS	PRODUCT WEIGHT	MOUNTING HEIGHT	SPACING
13" D x 18" W x 9-7/8" H	19.8 lbs.	18 to 30 feet	3 to 4 times the mounting height

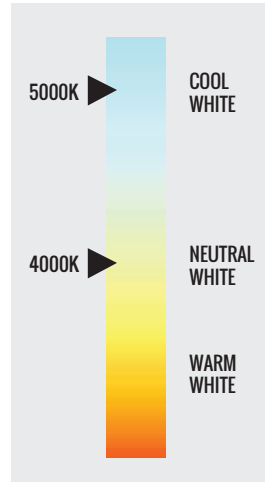
Fixture Specifications

HOUSING	Heavy duty, die-cast aluminum housing with hinged door frame Dark bronze polyester powder-coat finish
LENS ASSEMBLY	Heat and shock-resistant borosilicate glass prismatic lens
MOUNTING	1/2" NPS knockouts on top and sides or rear mounting plate for conduit entry

Electrical Performance

OPERATING MINIMUM	LIFESPAN <small>L₇₀ AT 25°C (77°F)</small>	POWER FACTOR	TOTAL HARMONIC DISTORTION	DIMMABLE
-40°C (-40°F)	Estimated 100,000 Hours	> 0.9	< 20%	No
INPUT VOLTAGE	120V	208V	240V	277V
Current Draw (Amps)	1.0A	0.63A	0.55A	0.47A

CORRELATED COLOR TEMPERATURE (CCT)



Warranty & Certifications

WARRANTY	UL LISTED	DLC
5-Year Limited	Wet Locations	Yes

Output Specifications

SKU	LIGHT OUTPUT	COLOR TEMP <small>(See chart)</small>	POWER CONSUMPTION	COLOR ACCURACY	REPLACES
E-WFT15A-N50Z	15,300 Lumens	Cool White (5000K)	120W	≥ 70 CRI	320W PSMH 400W MH
E-WFT15A-N40Z	15,000 Lumens	Neutral White (4000K)	120W	≥ 70 CRI	320W PSMH 400W MH

Due to continuous product improvement, information in this document is subject to change.

Revision Date: 10/03/17

1501 96th Street, Sturtevant, WI 53177 | Phone (888) 243-9445 | Fax (262) 504-5409 | www.e-conolight.com

E-WFT15 Series

Accessories



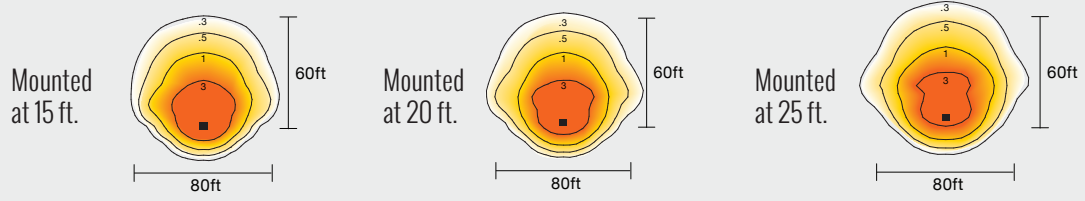
Photocell - Button, 120V/208V/240V/277V

SKU: E-ACP1 (120V)

E-ACP2 (208V/240V/277V)

USE: Photocell is field installed.
Drilling of the back box in the field is required.

Photometric Diagrams



All published photometric testing performed to IESNA LM-79-08 standards by a NVLAP certified laboratory. Fixture photometry was completed on a single representative fixture.