

E-WLT06 Series

LED Full Cutoff Wall Pack

Replaces 175W MH / 150W PSMH



Traditional Style with Increased Performance!

e-conolight's LED Full Cutoff Wall Pack outperforms traditional 150W PSMH versions by:

- Using up to 65% less energy
- Shining up to 6600 lumens
- Reducing light pollution

Efficient

- Reduced power consumption increases energy savings and decreases fixture maintenance

Recommended Use

- Building facades
- Perimeter lighting
- Parking areas & garages

Full Cutoff

- Reduced light pollution and sky glow
- Allows for control of spill light

Input Voltage

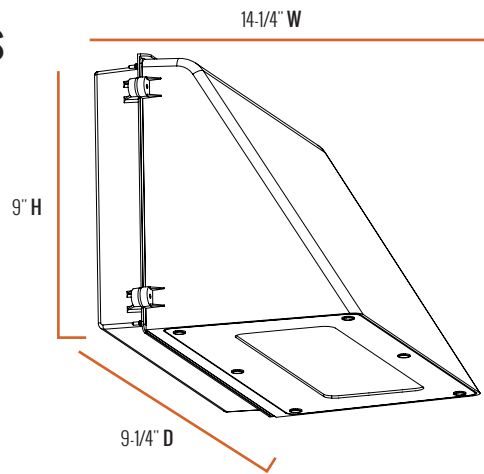
- Universal (120V through 277V Operation)

Certifications



Quality Products, Affordably Priced.

E-WLT06 Series



Series Overview

DIMENSIONS	PRODUCT WEIGHT	MOUNTING HEIGHT	SPACING
9-1/4" D x 14-1/4" W x 9" H	9.02 lbs.	10 to 15 feet	1 to 2 times the mounting height

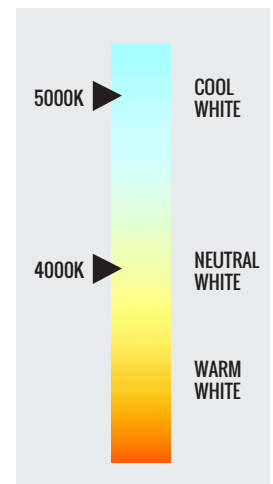
Fixture Specifications

HOUSING	Low copper, die-cast aluminum housing and door frame Dark bronze polyester powder-coat finish
LENS ASSEMBLY	Tempered glass lens is thermal, shock and impact resistant White polycarbonate reflector
MOUNTING	1/2" threaded knockouts provided for conduit entry (one on top, one on each side) or mount over recessed junction box

Electrical Performance

OPERATING MINIMUM	LIFESPAN <small>L₇₀ AT 25°C (77°F)</small>	POWER FACTOR	TOTAL HARMONIC DISTORTION	DIMMABLE
-40°C (-40°F)	Estimated >100,000 Hours	> 0.9	< 20%	No
INPUT VOLTAGE	120V	208V	240V	277V
Current Draw (Amps)	0.55A	0.32A	0.27A	0.24A

CORRELATED COLOR TEMPERATURE (CCT)



Warranty & Certifications

WARRANTY	UL LISTED	DLC
5-Year Limited	Wet Locations	Yes

Output Specifications

SKU	LIGHT OUTPUT	COLOR TEMP <small>(See chart)</small>	POWER CONSUMPTION	COLOR ACCURACY	REPLACES
E-WLT06A-F50Z	6600 Lumens	Cool White (5000K)	66W	≥ 70 CRI	175W MH / 150W PSMH
E-WLT06A-F40Z	6400 Lumens	Neutral White (4000K)	66W	≥ 70 CRI	175W MH

Due to continuous product improvement, information in this document is subject to change.

Revision Date: 08/15/19

1501 96th Street, Sturtevant, WI 53177 | Phone (888) 243-9445 | Fax (262) 504-5409 | www.e-conolight.com

E-WLT06 Series

Accessories



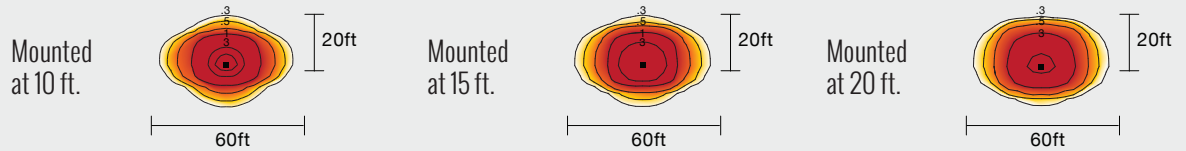
Photocell - Button, 120V/208V/240V/277V

SKU: E-ACP1 (120V)

E-ACP2 (208V/240V/277V)

USE: Photocell is field installed.
Drilling of the back box in the field is required.

Photometric Diagrams



All published photometric testing performed to IESNA LM-79-08 standards by a NVLAP certified laboratory. Fixture photometry was completed on a single representative fixture.

Generational Chart

OLD SERIES	NEW SERIES
E-WP13 Series	E-WLT06 Series

Due to continuous product improvement, information in this document is subject to change. The UL logo is a registered trademark of UL LLC. The DLC QPL logo and the DLC QPL Premium logo are registered trademarks of Northeast Efficiency Partnerships, Inc.

Revision Date: 08/15/19

1501 96th Street, Sturtevant, WI 53177 | Phone (888) 243-9445 | Fax (262) 504-5409 | www.e-conolight.com

