

# A21 3-Way Series

Cree Professional Series LED Lamps

**PRO**  
SERIES

## Product Description

At Cree®, we believe in better lighting. Better light is beautiful light. But it's more than just beautiful. It is light that makes you feel more productive, more relaxed and safer. Better light changes everything. That's why the new and improved 90+ CRI Cree Professional Series LED bulbs feature high color rendering that enhances your space and makes the colors of your decor appear vibrant, richer and more natural – true colors the way they are meant to be experienced.

The Cree® Professional Series 3-Way LED bulb delivers three distinct levels of beautiful, soft white 2700K incandescent-like light. The Cree 3-Way LED bulb looks and lights like a traditional 3-Way incandescent bulb, but uses up to 90% less energy and is designed to last 25 times longer. Delivering 450, 800, and 1,420 lumens (40W/60W/100W replacement), each step of light output is distinct and visible to the naked eye. Plus, unlike traditional incandescent 3-Ways, you can use the Cree 3-Way LED bulb in any orientation.

## Performance Summary

**Lamp Delivered Light Output:** 450 lumens/800 lumens/1,420 lumens

**Input Power:** 40/60/100 W Replacement: 5.5 watts/9 watts/17 watts

**CRI:** >90

**CCT:** 2700K

**Limited Warranty\*:** 5 years Commercial use

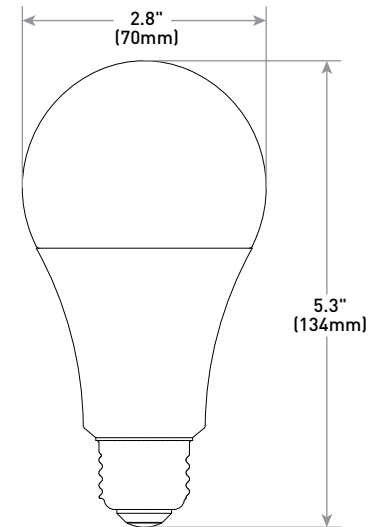
**Lifetime:** Designed to last at least 25,000 hours

**Dimming:** For use in 3-way light fixtures (non-dimmable)

ENERGY STAR® Certified, CEC California Title 20 Compliant

Can be ordered in Single Lamp Cartons (Master Carton Quantity = 12)

\*See <http://lighting.cree.com/warranty> for warranty terms



## Ordering Information

Example: A21-3WAY-P1-27K-E26-U1

A21	3WAY	P1	27K		E26		U1
Product	3-Way	Series	CCT	Voltage	Base	CRI	Packaging Options
A21	3WAY 3 Way Bulb 40/60/100W 450 Lumens/800 Lumens/1,420 Lumens	P1 Professional Series 1 <sup>st</sup> Generation	27K 2700K	Blank 120 Volt	E26 E26 Edison Base	Blank >90	U1 Single-Lamp Carton Master Carton = 12 Single-Lamp Cartons

Rev. Date: V1 10/04/2018



US: [lighting.cree.com](http://lighting.cree.com)



mercury-free



T (800) 236-6800 F (262) 504-5415

Canada: [www.cree.com/canada](http://www.cree.com/canada)



T (800) 473-1234 F (800) 890-7507

## A-21 3-Way Pro Series LED Lamps

### Product Specifications

#### CONSTRUCTION & MATERIALS

- A-type bulb design weighs 5 ounces (142g)
- Bulb meets ANSI standards for A21 dimensions
- Uses a standard E26 screw base
- Mercury free
- **Dimensions:** 5.5" H x 2.8" W x 2.8" D (Single Lamp Carton); 6.3" H x 9.1" W x 12" D (Master Carton)

#### OPTICAL SYSTEM

- Omnidirectional light distribution
- Plastic globe offers increased optical spread

#### ELECTRICAL SYSTEM

- **Power Factor:** > 0.9 nominal
- **Input Voltage:** 120V, 60Hz
- **Dimming:** For use in 3-way light fixtures (non-dimmable)
- **Operating Temperature Range:** -25°C - +45°C (-13°F - +113°F)

#### REGULATORY & VOLUNTARY QUALIFICATIONS

- cULus Listed
- Suitable for damp locations, but not for use where exposed directly to weather or water
- Do not use in enclosed fixtures or recessed cans
- Meets FCC Part 15, Subpart B, Class B standards for conducted and radiated emissions
- ENERGY STAR® certified. Please refer to <http://www.energystar.gov/productfinder/product/certified-light-bulbs/> results for most current information A21-3WAY-P1-27K-E26-U1
- RoHS compliant. Consult factory for additional details
- CEC California Title 20 JA-8 Certified
- **CA RESIDENTS WARNING:** Cancer and Reproductive Harm – [www.p65warnings.ca.gov](http://www.p65warnings.ca.gov)

### Packaging

Master Carton = 12 Single Lamp Cartons



Ordering Number	Single-Lamp Carton UPC	Description	Bulb Type	Watts	CCT	Single-Lamp Cartons per Master Carton	Master Carton ITF-14	Total Lamps per Master Carton	Master Cartons per Pallet Qty	CRI	Lumens	Rated Life (Hrs)
A21-3WAY-P1-27K-E26-U1	849665023173	40/60/100W Soft White A21 3-Way Equivalent. For use in 3-way light fixtures [non-dimmable]	A21	5/19/17	2700K	12	10849665023170	12	119	>90	450/800/1,420	25,000