

E-FFC Series

LED Flood Light

Replaces up to 1000W PSMH



Slim Design, Simple Installation

UL listed and suitable for wet locations, the E-FFC Series LED Flood Light features a slim design while delivering up to 142 lumens per watt and a ≥ 70 CRI. Choose from multiple mounting options and color temperatures (3000K, 4000K, and 5000K). And while you're at it, enjoy an easy installation.

Recommended Use

- Building Facade
- Security
- Signs/Monuments
- Commercial

Input Voltage

- Universal (120V through 277V Operation)

Benefits

- Has been put through Cree Lighting's vigorous in-house testing and we're confident this product will last
- Wet listed in the up-light position so you don't have to worry about the product taking water
- Easy installation

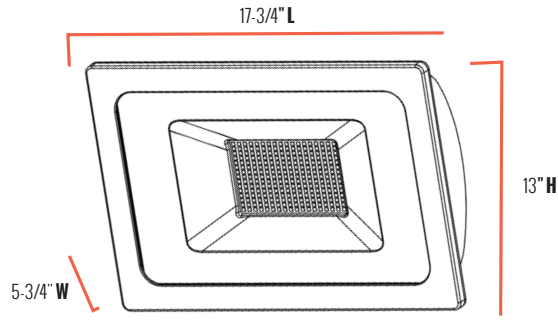
Certifications



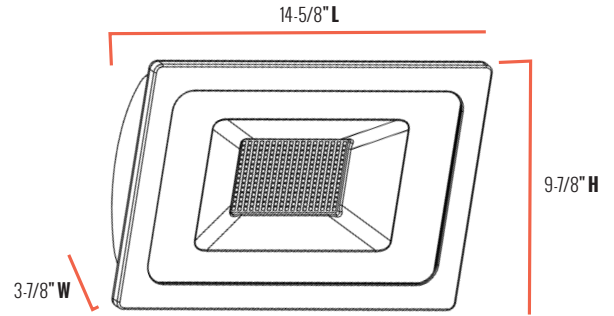
WARNING: Cancer and Reproductive Harm - www.p65warnings.ca.gov



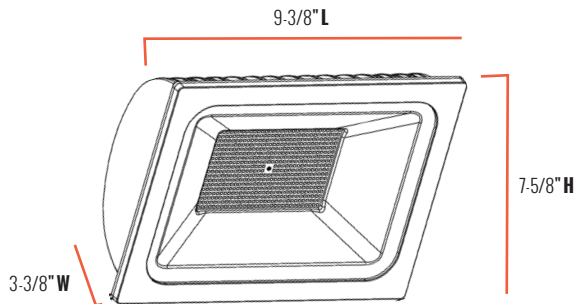
E-FFC Series



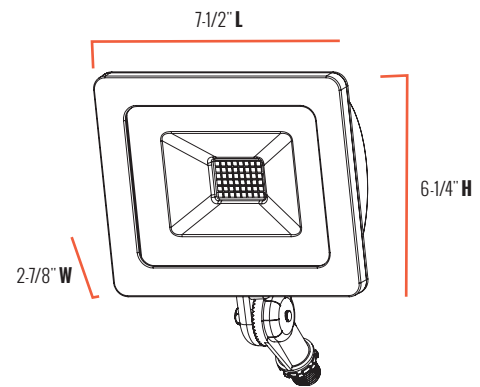
E-FFC25B, E-FFC38B (WITHOUT MOUNT)



E-FFC14B, E-FFC19B (WITHOUT MOUNT)



E-FFC05B, E-FFC08B (WITHOUT MOUNT)

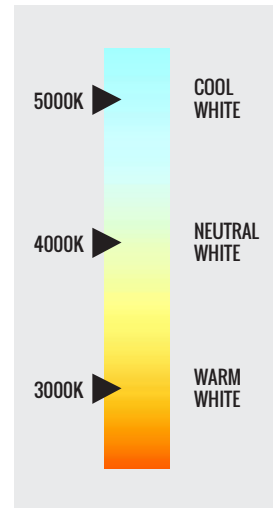


E-FFC01B, E-FFC03B (WITH 1/2-INCH ADJUSTABLE FITTER)

Series Overview

DIMENSIONS	PRODUCT WEIGHT	MOUNTING HEIGHT	SPACING
E-FFC38B (WITHOUT MOUNT) 17-3/4" L X 5-3/4" W X 13" H	17.90 lbs.	Up to 40 feet	1 to 3 times the mounting height
E-FFC25B (WITHOUT MOUNT) 17-3/4" L X 5-3/4" W X 13" H	16.36 lbs.	Up to 30 feet	
E-FFC19B (WITHOUT MOUNT) 14-5/8" L X 3-7/8" W X 9-7/8" H	9.19 lbs.	Up to 30 feet	
E-FFC14B (WITHOUT MOUNT) 14-5/8" L X 3-7/8" W X 9-7/8" H	9.04 lbs.	Up to 30 feet	
E-FFC08B (WITHOUT MOUNT) 9-3/8" L X 3-3/8" W X 7-5/8" H	4.46 lbs.	Up to 25 feet	
E-FFC05B (WITHOUT MOUNT) 9-3/8" L X 3-3/8" W X 7-5/8" H	4.45 lbs.	Up to 20 feet	
E-FFC03B (WITH 1/2-INCH ADJUSTABLE FITTER MOUNT) 7-1/2" L X 2-7/8" W X 6-1/4" H	2.84 lbs.	Up to 15 feet	
E-FFC01B (WITH 1/2-INCH ADJUSTABLE FITTER MOUNT) 7-1/2" L X 2-7/8" W X 6-1/4" H	2.72 lbs.	Up to 15 feet	

CORRELATED COLOR TEMPERATURE (CCT)



E-FFC Series

Fixture Specifications

HOUSING	Very durable die-cast aluminum to help draw heat from both the LED as well as the driver Dark Bronze or White Finish (available on select units: see: Output Specifications)
LENS ASSEMBLY	Tempered glass
MOUNTING	<p>E-FFC01B, E-FFC03B: Mounting included. 1/2-inch Adjustable Fitter included for use with 1/2-inch NPS threaded mounting.</p> <p>E-FFC05B, E-FFC08B: Mounting sold separately. For use with either the E-ACW-FFC (1/2-inch Adjustable Fitter) or the E-ACU-FFC-SML (Small U-Bracket).</p> <p>E-FFC14B, E-FFC19B: Mounting sold separately. For use with either the E-ACS-FFC (2-inch Adjustable Fitter) or the E-ACU-FFC-LRG (Large U-Bracket).</p> <p>E-FFC25B, E-FFC38B: Mounting sold separately. For use with either the E-ACS-FFC (2-inch Adjustable Fitter) or the E-ACU-FFC-LRG (Large U-Bracket).</p>

Electrical Performance

OPERATING TEMPERATURE RANGE	LIFESPAN L70 AT 25°C (77°F)	POWER FACTOR	TOTAL HARMONIC DISTORTION	DIMMABLE
E-FFC01B, E-FFC03B, E-FFC05B, E-FFC08B -22°F to 104°F (-30°C to 40°C)	50,000 Hours	> 0.9	< 20%	No
FFC14B, E-FFC19B, E-FFC25B, E-FFC38B -40°F to 104°F (-40°C to 40°C)				

INPUT VOLTAGE Current Draw (Amps)	120V	208V	240V	277V
E-FFC38B	2.33A	1.339A	1.179A	1.051A
E-FFC25B	1.582A	.908A	.799A	.707A
E-FFC19B	1.180	0.670	0.591	0.524
E-FFC14B	0.862	0.500	0.427	0.373
E-FFC08B	0.516	0.300	0.270	0.240
E-FFC05B	0.328	0.200	0.170	0.150
E-FFC03B	0.226A	.135A	.12A	.109A
E-FFC01B	0.079A	.048A	.043A	.034A

Warranty & Certifications

WARRANTY	cULus LISTED	DLC
5-Year Limited	Wet Locations	Standard

E-FFC Series

Output Specifications

SKU	REPLACES	HOUSING COLOR	LIGHT OUTPUT	COLOR TEMP	POWER CONSUMPTION	COLOR ACCURACY	DISTRIBUTION	MOUNT TYPE
E-FFC38B-TW50Z	1000W PSMH	Bronze	38,900 Lumens	Cool White (5000K)	280W LED	≥ 70 CRI	NEMA 7x7	Mounting sold separately. See: Mounting options
E-FFC38B-TW40Z		Bronze	38,000 Lumens	Neutral White (4000K)				
E-FFC25B-TW50Z	400W PSMH	Bronze	25,900 Lumens	Cool White (5000K)	184W LED			
E-FFC25B-TW40Z		Bronze	25,100 Lumens	Neutral White (4000K)				
E-FFC19B-TW50Z	400W MH	Bronze	19,500 Lumens	Cool White (5000K)	138W LED	≥ 70 CRI	NEMA 7x7	Mounting sold separately. See: Mounting options
E-FFC19B-TW40Z		Bronze	19,400 Lumens	Neutral White (4000K)				
E-FFC14B-TW50Z	320W PSMH	Bronze	14,300 Lumens	Cool White (5000K)	100W LED			
E-FFC14B-TW40Z		Bronze	14,100 Lumens	Neutral White (4000K)				
E-FFC08B-TW50Z	150W PSMH	Bronze	8200 Lumens	Cool White (5000K)	62W LED	≥ 70 CRI	NEMA 7x7	Mounting sold separately. See: Mounting options
E-FFC08B-TW40Z		Bronze	8100 Lumens	Neutral White (4000K)				
E-FFC05B-TW50Z	100W PSMH	Bronze	5300 Lumens	Cool White (5000K)	38W LED			
E-FFC05B-TW40Z		Bronze	5200 Lumens	Neutral White (4000K)				
E-FFC03B-T6W50Z	100W PSMH	Bronze	3700 Lumens	Cool White (5000K)	27W LED	≥ 70 CRI	NEMA 7x7	1/2-inch Adjustable fitter included
E-FFC03B-T6W40W		White	3700 Lumens	Neutral White (4000K)				
E-FFC03B-T6W40Z		Bronze	3700 Lumens	Neutral White (4000K)				
E-FFC03B-T6W30Z		Bronze	3700 Lumens	Warm White (3000K)				
E-FFC01B-T6W50Z	50W MH	Bronze	1700 Lumens	Cool White (5000K)	12W LED	≥ 70 CRI	NEMA 7x7	1/2-inch Adjustable fitter included
E-FFC01B-T6W40W		White	1700 Lumens	Neutral White (4000K)				
E-FFC01B-T6W40Z		Bronze	1700 Lumens	Neutral White (4000K)				
E-FFC01B-T6W30Z		Bronze	1700 Lumens	Warm White (3000K)				

E-FFC Series

Accessories



Photocell - Button, 120V/208V/240V/277V

SKU: E-ACP1 (120V)

E-ACP2 (208/240/277V)

Use: Photocell is field installed. For use with 2" adjustable fitter mount.

Mounting Options (Varies depending on application)

	<p>Large U-Bracket SKU: E-ACU-FFC-LRG For use with: E-FFC14B, E-FFC19B, E-FFC25B, E-FFC38B series Construction: Dark bronze, die-cast aluminum, with a polyester powder-coat finish. Cord included: 36" in length. Dimensions: 5-1/8" L x 7-1/8" W x 2-1/2" H</p>
	<p>2" Adjustable Fitter SKU: E-ACS-FFC For use with: E-FFC14B, E-FFC19B, E-FFC25B, E-FFC38B series Construction: Dark bronze, die-cast aluminum, with a polyester powder-coat finish. Dimensions: 7-5/8" L x 3-7/8" W x 2-7/8" H</p>
	<p>Conduit Slip Fitter SKU: E-ACMNH2DB For use with: E-FFC01B, E-FFC03B, E-FFC05B, E-FFC08B series (Fixtures with 1/2-inch adjustable fitters only) Construction: Dark Bronze cast aluminum hub provides a threaded entry for 1/2-inch adjustable fitter and slips over 2-3/8" O.D. pipe or tenon. Dimensions: 2" H</p>
	<p>Small U-Bracket SKU: E-ACU-FFC-SML For use with: E-FFC05B, E-FFC08B series Construction: Dark bronze, die-cast aluminum, with a polyester powder-coat finish. Cord included: 36" in length. Dimensions: 4-1/8" L x 4-7/8" W x 1-1/8" H</p>
	<p>1/2" Adjustable Fitter SKU: E-ACW-FFC For use with: E-FFC05B, E-FFC08B series Construction: Dark bronze, die-cast aluminum, with a polyester powder-coat finish. Dimensions: 4-3/8" L x 2-5/8" W x 1-1/2" H</p>

© 2021 Cree Lighting, a company of IDEAL INDUSTRIES. All rights reserved. For informational purposes only. Due to continuous product improvement, information in this document is subject to change. The UL logo is a registered trademark of UL LLC. The DLC QPL logo and the DLC QPL Premium logo are registered trademarks of Northeast Efficiency Partnerships, Inc.

Revision Date: 03/01/21

1501 96th Street, Sturtevant, WI 53177 | Phone (888) 243-9445 | Fax (262) 504-5409 | www.e-conolight.com

