

E-X1ES Series

Chicago Approved LED Exit / Stairs Sign

All "Chicago Approved" exit & emergency lighting offered by e-conolight are UL-listed for damp locations and meet city requirements as outlined in the City Code of Ordinances.



Applications

- For general purpose emergency lighting in indoor & outdoor commercial, retail, or industrial applications

Performance

- 5-year limited warranty on housing and electronics
- 5-year pro-rated warranty on batteries

Construction & Materials

- Single and double face configurations
- Letters on sign face are 6" tall
- Die-cast aluminum mounting canopy allows for universal top, end or back mounting
- Premium-grade extruded aluminum housing

Electrical

- Sealed, maintenance-free nickel cadmium battery backup (120 min.)
- Battery recharges within 24 hours via internal solid-state, two-rate charger

Regulatory

- UL Listed for damp locations
- Meets City of Chicago requirements
- Meets UL924, NFPA 101 Life Safety Code, NEC, OSHA codes

Certifications

5YEAR
WARRANTY

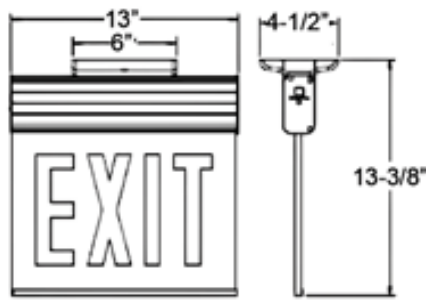


"WARNING - Cancer and Reproductive Harm -
www.p65warnings.ca.gov"

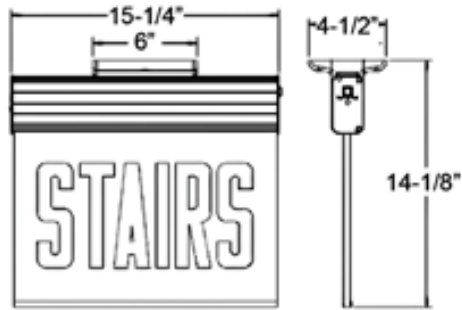


E-X1ES Series

E-X1ES1ES, E-X1ES1EBS, E-X1ES2ES, E-X1ES2EBS



E-X1ES1SS, E-X1ES1SBS, E-X1ES2SS, E-X1ES2SBS



Series Overview

DIMENSIONS	PRODUCT WEIGHT	MOUNTING HEIGHT	SPACING
EXIT SIGNS: 12-3/8" W X 11-1/4" H X 2-3/8" D	5.05 lbs.	---	---
STAIRS SIGNS: 13-3/8" W X 10-3/8" H X 2-3/8" D			

Output Specifications

SKU	DESCRIPTION	INPUT VOLTAGE	AMBIENT TEMPERATURE RATING	WEIGHT	ENERGY CONSUMPTION
E-X1ES1ES	Edgelit EXIT surface, single face, red, AC only, silver housing	120V/277V	32°F-122°F	4.6 lbs.	4.3/4.7 Watts
E-X1ES1EBS	Edgelit EXIT surface, single face, red, battery backup, silver housing	120V/277V	32°F-122°F	5.05 lbs.	4.3/4.7 Watts
E-X1ES2ES	Edgelit EXIT surface, double face, red, AC only, silver housing	120V/277V	32°F-122°F	4.6 lbs.	4.3/4.7 Watts
E-X1ES2EBS	Edgelit EXIT surface, double face, red, battery backup, silver housing	120V/277V	32°F-122°F	5.05 lbs.	4.3/4.7 Watts
E-X1ES1SS	Edgelit STAIRS surface, single face, red, AC only, silver housing	120V/277V	32°F-122°F	4.6 lbs.	4.3/4.7 Watts
E-X1ES1SBS	Edgelit STAIRS surface, single face, red, battery backup, silver housing	120V/277V	32°F-122°F	5.05 lbs.	4.3/4.7 Watts
E-X1ES2SS	Edgelit STAIRS surface double face, red, AC only, silver housing	120V/277V	32°F-122°F	4.6 lbs.	4.3/4.7 Watts
E-X1ES2SBS	Edgelit STAIRS surface, double face, red, battery backup, silver housing	120V/277V	32°F-122°F	5.05 lbs.	4.3/4.7 Watts

Due to continuous product improvement, information in this document is subject to change. All published photometric testing performed to IESNA LM-79-08 standards by a NVLAP certified laboratory. Fixture photometry was completed on a single representative fixture. Actual production units may vary up to ±10% of initial delivered lumens. Lumen maintenance values at 25°C (77°F) are calculated per TM-21 based on LM-80 data and in-situ fixture testing.

Revision Date: 10/21/20

1501 96th Street, Sturtevant, WI 53177 | Phone (888) 243-9445 | Fax (262) 504-5409 | www.e-conolight.com

