

E-GL3 Series

Premium LED Directional Floodlight - Small
Replaces 50W Halogen



Recommended Use

- Building facades
- Security
- Architectural landscaping
- Highlighting signs & displays

Input Voltage

- Universal (120V through 277V Operation)

Certifications

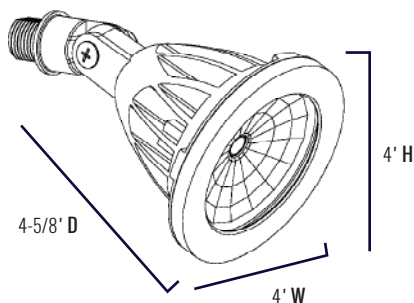


***WARNING:** Cancer and Reproductive Harm - www.p65warnings.ca.gov



Quality Products, Affordably Priced.

E-GL3 Series



Series Overview

DIMENSIONS	PRODUCT WEIGHT	MOUNTING HEIGHT	SPACING
4-5/8' D x 4' W x 4' H	0.8 lbs.	---	---

Fixture Specifications

HOUSING	Low-copper, die-cast aluminum housing and lens frame Available in textured black or smooth white polyester powder-coat finish
LENS ASSEMBLY	Tempered glass lens is thermal, shock and impact resistant
MOUNTING	1/2" NPS aluminum die-cast adjustable fitter attaches to standard junction box cover with 1/2" threaded coupling

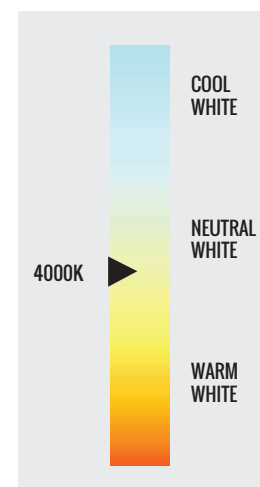
Electrical Performance

OPERATING MINIMUM	LIFESPAN <small>L₇₀ AT 25°C (77°F)</small>	POWER FACTOR	TOTAL HARMONIC DISTORTION	DIMMABLE
-30°C (-22°F)	Estimated 50,000 Hours	> 0.9	< 20%	No
INPUT VOLTAGE	120V	208V	240V	277V
Current Draw (Amps)	0.12A	0.09A	0.08A	0.07A

Warranty & Certifications

WARRANTY	UL LISTED	DLC	ENERGY STAR
5-Year Limited	Wet Locations	---	---

CORRELATED COLOR TEMPERATURE (CCT)



Output Specifications

SKU	LIGHT OUTPUT	COLOR TEMP <small>(See chart)</small>	POWER CONSUMPTION	COLOR ACCURACY	DISTRIBUTION	REPLACES
E-GL3L09N2K (Black)	700 Lumens	Neutral White (4000K)	9W	≥ 70 CRI	110° Flood (Wide)	50W Halogen
E-GL3L09N2W (White)	700 Lumens	Neutral White (4000K)	9W	≥ 70 CRI	110° Flood (Wide)	50W Halogen

Due to continuous product improvement, information in this document is subject to change. The UL logo is a registered trademark of UL LLC.
Revision Date: 08/15/19