

Project _____
 Schedule _____
 Date _____
 Notes _____

DESCRIPTION

naturaLED® floodlights provide a range of sizes and wattages to fit your needs. Our compact flood lights are water resistant rated at IP65. Creating bright, security and spot lighting for a variety of applications such as perimeter, entryway, facades, landscapes, retail and residential complexes and architectural lighting.



Available in four different power levels and wide beam distributions to replace up to 250 watt. Pre-installed yoke-arm design can be adjustable to the angle that best suit your needs.

FEATURES

- DLC standard
- Estimated 50,000 hrs of operation to L70 at 25°C (77°F)
- Uniform and consistent color: ANSI C78.377-2017
- UL 1598 for use in wet locations
- IP65 rated
- Excellent thermal design
- Corrosion resistant powder coating
- 1KV surge protection
- Material: Die Cast Aluminum / Glass / Plastic
- 3 feet SO Cord for easy installation
- Yoke Mount
- 1/2" NPT stainless steel threaded nipple (10W-48W)
- Input line voltage: 120-277V
- Operating temperature: -22°F-131°F

APPLICATIONS

- Security Lightng
- Architectural Lighting
- Perimeter Lighting
- Entryway/Pathway Lighting

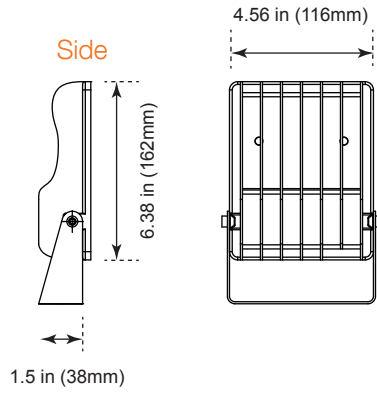
WARRANTY

- 5 Year Warranty



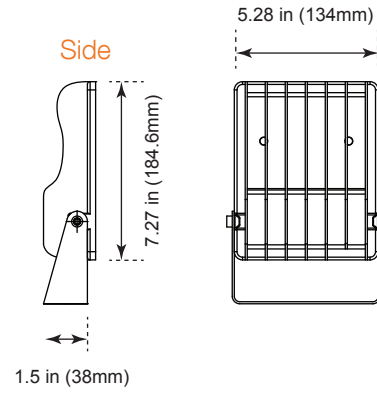
SPECIFICATIONS

10 Watt



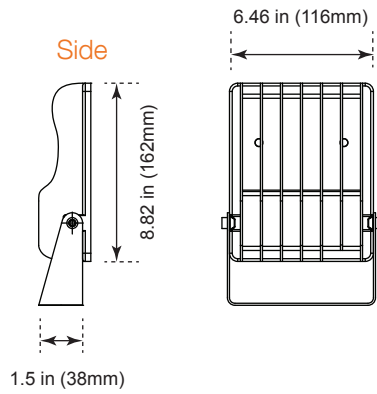
Weight: 1.10lbs

20/27 Watt



Weight: 1.60lbs

48 Watt



Weight: 2.25lbs

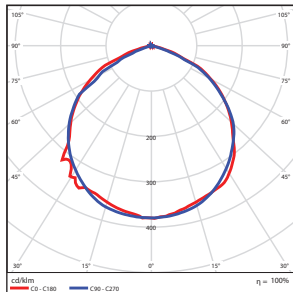
ORDERING

*P= Premium DLC / *S = Standard DLC

Watts (W)	Ordering Code	Description	Color Temp (K)	Lumens (lm)	Equiv. Wattage (W)	NPT	Rated Hrs	IP65 Rated	DLC (S/P)
10	7789	LED-FXFDL10/30K/BK	3000K	1,200	100	1/2"	50,000	•	S
10	7761	LED-FXFDL10/50K/BK	5000K	1,284	100	1/2"	50,000	•	S
20	7762	LED-FXFDL20/50K/BK	5000K	2,437	150	1/2"	50,000	•	S
27	7763	LED-FXFDL27/50K/BK	5000K	3,499	150-200	1/2"	50,000	•	S
48	7764	LED-FXFDL48/50K/BK	5000K	6,153	200-250	1/2"	50,000	•	S

PHOTOMETRICS CHART

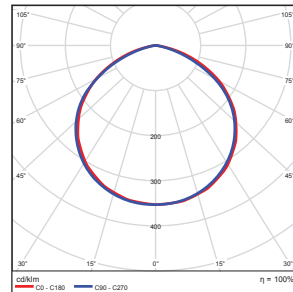
FXFDL (10 Watt)
DLC Standard



Center Beam fc	Beam Width	
2.5R	74.2 fc	7.2 ft 7.2 ft
5.0R	18.5 fc	14.5 ft 14.3 ft
7.5R	8.24 fc	21.7 ft 21.5 ft
10.0R	4.64 fc	28.9 ft 28.7 ft
12.5R	2.97 fc	36.2 ft 35.8 ft
15.0R	2.06 fc	43.4 ft 43.0 ft

Vert. Spread: 110.7°
Horiz. Spread: 110.2°

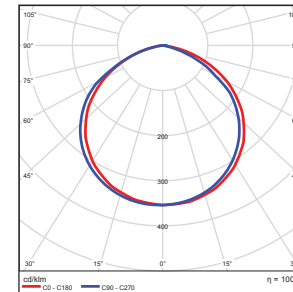
FXFDL (20 Watt)
DLC Standard



Center Beam fc	Beam Width	
2.5R	138 fc	7.4 ft 7.5 ft
5.0R	34.5 fc	14.9 ft 15.1 ft
7.5R	15.3 fc	22.3 ft 22.6 ft
10.0R	8.61 fc	29.7 ft 30.1 ft
12.5R	5.51 fc	37.2 ft 37.7 ft
15.0R	3.83 fc	44.6 ft 45.2 ft

Vert. Spread: 112.2°
Horiz. Spread: 112.6°

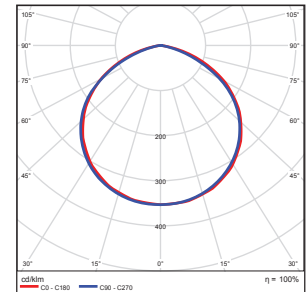
FXFDL (27 Watt)
DLC Standard



Center Beam fc	Beam Width	
2.5R	203 fc	7.5 ft 7.5 ft
5.0R	50.9 fc	15.0 ft 15.0 ft
7.5R	22.6 fc	22.4 ft 22.4 ft
10.0R	12.7 fc	29.9 ft 29.9 ft
12.5R	8.14 fc	37.4 ft 37.4 ft
15.0R	5.65 fc	44.9 ft 44.9 ft

Vert. Spread: 112.5°
Horiz. Spread: 112.5°

FXFDL (48 Watt)
DLC Standard

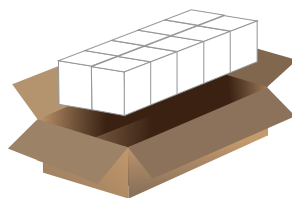


Center Beam fc	Beam Width	
2.5R	330 fc	8.1 ft 8.1 ft
5.0R	82.6 fc	16.2 ft 16.3 ft
7.5R	36.7 fc	24.4 ft 24.4 ft
10.0R	20.7 fc	32.5 ft 32.6 ft
12.5R	13.2 fc	40.6 ft 40.7 ft
15.0R	9.18 fc	48.7 ft 48.9 ft

Vert. Spread: 116.6°
Horiz. Spread: 116.9°

PACKAGE

Master: 10pcs
for 10W-48W



Master: 1pc
for 50W-100W

