

IMPORTANT SAFEGUARDS

When using electrical equipment, basic safety precautions should always be followed including the following:

READ AND FOLLOW ALL SAFETY INSTRUCTIONS

1. To avoid the possibility of electrical shock turn off power supply before installation or servicing.
2. This luminaire must be installed in accordance with the NEC or your local electrical code. If you are not familiar with these codes and requirements, consult a qualified electrician.
3. Essentia® by Cree Track fixtures are UL® Classified for use with Essentia by Cree “CT” track systems, and Juno® (not affiliated with Essentia by Cree) “T” and “TU” Series track systems only.
4. MIN. 90°C SUPPLY CONDUCTORS.
5. Wait until fixture has cooled down before installing or servicing the fixture.
6. Please read and understand all instructions thoroughly before installing any part of the Track system.

SAVE THESE INSTRUCTIONS FOR FUTURE REFERENCE

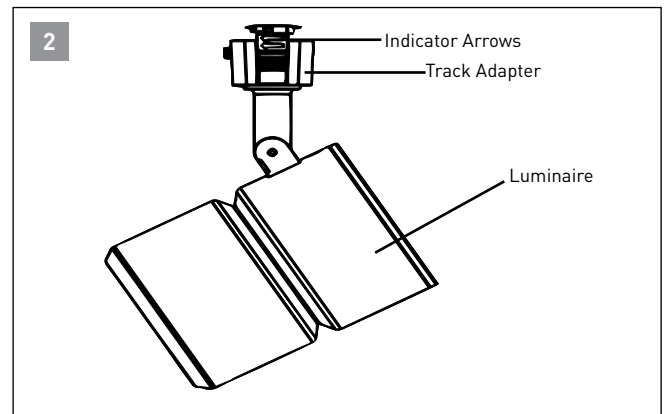
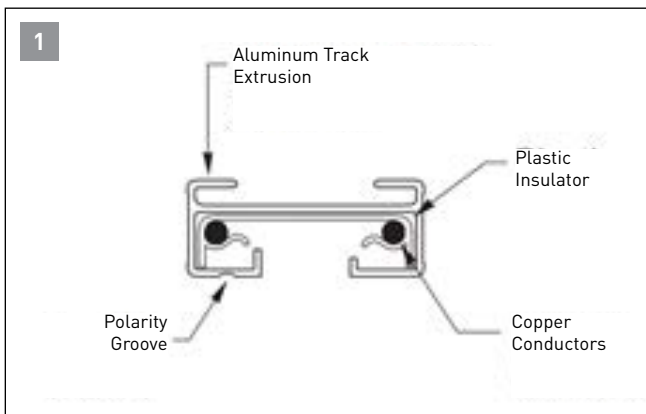
NOTES:

1. All Essentia® Track sections are manufactured with a Polarity Groove.
2. All Essentia® Track fixtures are manufactured with Indicator Arrows designed to point toward the Polarity Groove once installed. See **Figures 1 and 2**.
3. All Essentia® Track fixtures are supplied with a Contact Support to convert fixture from Single Circuit installation to Two Circuit Installation. See **Figures 3**.

DIMMING INFORMATION:

For a list of approved dimmers visit lighting.cree.com.

FIXTURE INSTALLATION – SINGLE CIRCUIT TRACK



STEP 1

- Insert Brass Contact on top of Track Adapter into the Track Channel. See **Figures 1 and 3**.

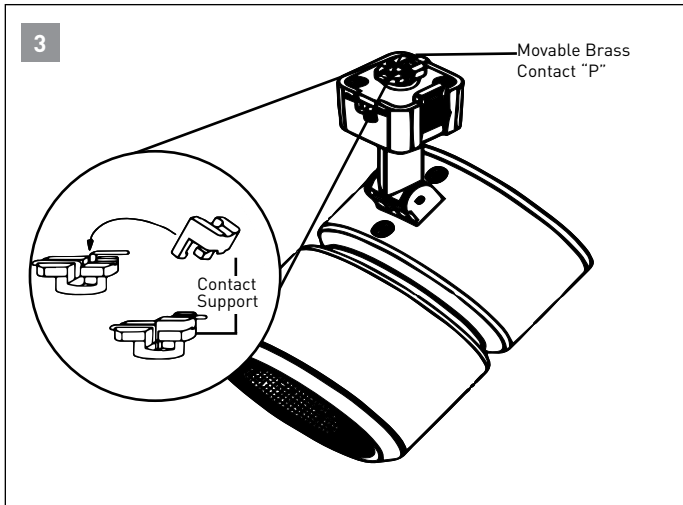
STEP 2

- Rotate the Track Adapter 90° so that the Indicator Arrows point toward the Polarity Groove once installed. See **Figure 2**. Pull Adapter Latch down as you rotate Track Adapter in order for Latch to clear track edge and allow it to snap into place in the track.

STEP 3

- To remove or relocate track fixture location, pull Adapter Latch down, rotate the Track Adapter 90° away from the Polarity Groove and remove.

FIXTURE INSTALLATION – TWO CIRCUIT TRACK



STEP 1

- To install track fixture into lower circuit of two-circuit track, follow directions for single circuit installation.

STEP 2

- To install track fixture into upper circuit of two-circuit track, raise the Brass Contact labeled "P" by grasping Contact with needle nose pliers and pulling up into position. See **Figure 3**.

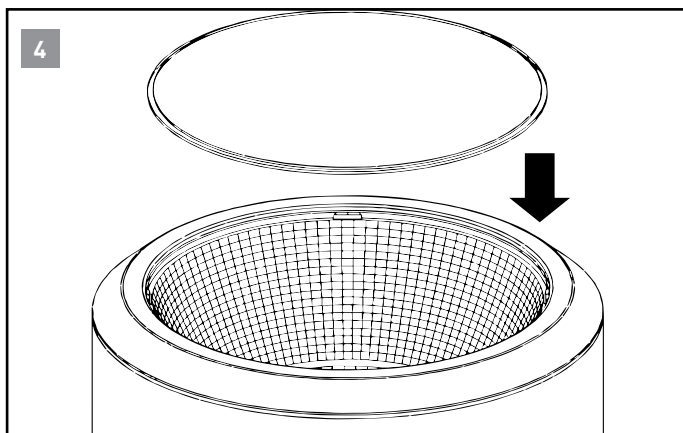
STEP 3

- Insert Contact Support by tipping and positioning it under the "P" Contact. See **Figure 3**. Snap Contact Support in place.
NOTE: Once the contact support is in place, make sure the "P" contact is fully seated in the support by using the needle nose pliers to push the "P" contact into place.

STEP 4

- Refer to instructions 1-3 under "Fixture Installation on Single Circuit Track" section.

INSTALLATION OF OPTIONAL LENS



STEP 1

- Before attempting Optical Lens addition, remove fixture from track.

STEP 2

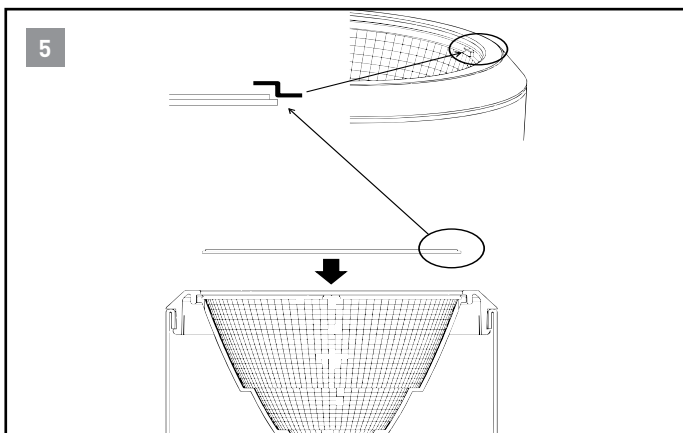
- Place chosen lens on top of reflector. The lens has a step around the perimeter, the larger diameter at the step should be toward reflector. See **Figure 4**.
Note: Clear lens is used for protection and frosted lens provides a more diffuse beam spread.

STEP 3

- Gently push the lens against the latches on all four sides. See **Figure 5**.

STEP 4

- Reinstall fixture onto track.



© 2016 Cree, Inc. All rights reserved. For informational purposes only. Content is subject to change. See lighting.cree.com/warranty for warranty and specifications. Cree® and Essentia® are registered trademarks of Cree, Inc.

US: lighting.cree.com

T (800) 236-6800 F (262) 504-5415

Canada: www.cree.com/canada

T (800) 473-1234 F (800) 890-7507

ESSENTIA® | by CREE ⇄