

E-HLC14 Series

LED Linear High Bay
Replaces 6-Lamp - T8 32W



Designed with your budget in mind, these LED Linear High Bays offer:

- A simple, streamlined design that's cost effective
- The right amount of power for your application - over 120 lumens per watt
- A footprint that's up to 78% smaller than comparable technology

High-Performance

- Up to 40% energy savings compared to linear fluorescent fixtures
- High-powered, discrete LEDs are engineered for consistent coverage

Recommended Use

- Warehouses
- Industrial
- Retail

Value

- Comes standard without lens for low cleaning maintenance
- High-output frosted lens available for a soft glow and LED protection
- 6' cord with straight blade plug included

Input Voltage

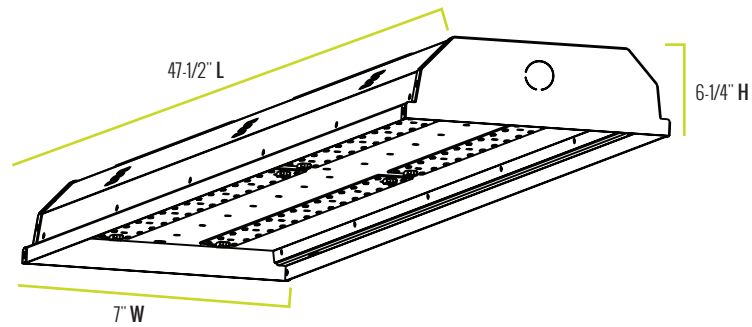
- Universal (120V through 277V Operation)

Certifications

5 YEAR
WARRANTY



E-HLC14 Series



Series Overview

DIMENSIONS	PRODUCT WEIGHT	MOUNTING HEIGHT	SPACING
47-1/2" L x 7" W x 6-1/4" H	3.0 lbs.	15 to 25 feet	1 to 1-1/2 times the mounting height

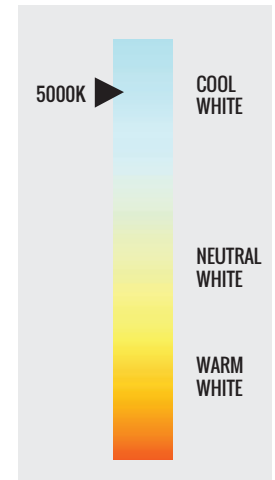
Fixture Specifications

HOUSING	High-quality steel housing with UV-stabilized, powder-coat finish
LENS ASSEMBLY	Comes standard with no lens Frosted polycarbonate lens (sold separately)
MOUNTING	Included v-hook, chain and 6' straight blade plug

Electrical Performance

OPERATING RANGE	LIFESPAN <small>L₇₀ AT 25°C (77°F)</small>	POWER FACTOR	TOTAL HARMONIC DISTORTION	DIMMABLE
-18°C - 50°C (0°F - 122°F) with no lens	Estimated >70,000 Hours	> 0.99	< 10%	No
-18°C - 40°C (0°F - 104°F) with clear or frosted lens				
INPUT VOLTAGE	120V	208V	240V	277V
Current Draw (Amps)	0.96A	0.55A	0.48A	0.42A

CORRELATED COLOR TEMPERATURE (CCT)



Warranty & Certifications

WARRANTY	UL LISTED	DLC	ENERGY STAR
5-Year Limited	Damp Locations	Yes	---

Output Specifications

SKU	LIGHT OUTPUT	COLOR TEMP (See chart)	POWER CONSUMPTION	COLOR ACCURACY	REPLACES
E-HLC14B-HK50UW	14,500 Lumens with no lens	Cool White (5000K)	115W	80 CRI	6-Lamp - T8 32W
	12,500 Lumens with Clear Lens				
	10,500 Lumens with Frosted Lens				2-Lamp - T5HO 54W / 4-Lamp - T8 32W

Due to continuous product improvement, information in this document is subject to change. The UL logo is a registered trademark of UL LLC. The DLC QPL logo and the DLC QPL Premium logo are registered trademarks of Northeast Efficiency Partnerships, Inc.

Revision Date: 06/25/18

1501 96th Street, Sturtevant, WI 53177 | Phone (888) 243-9445 | Fax (262) 504-5409 | www.e-conolight.com

E-HLC14 Series

Accessories (available with fixture purchase only)



Low-Output Frosted Lens
For use with E-HLC07 & E-HLC14 Series only
Made from polycarbonate material
SKU: **E-HLC-LO-LENS-FR**



6' Cord with Twist-Lock Plug
SKU: **E-1CP61** (120V)
E-1CP62 (277V)
E-1CP64 (208V or 240V)

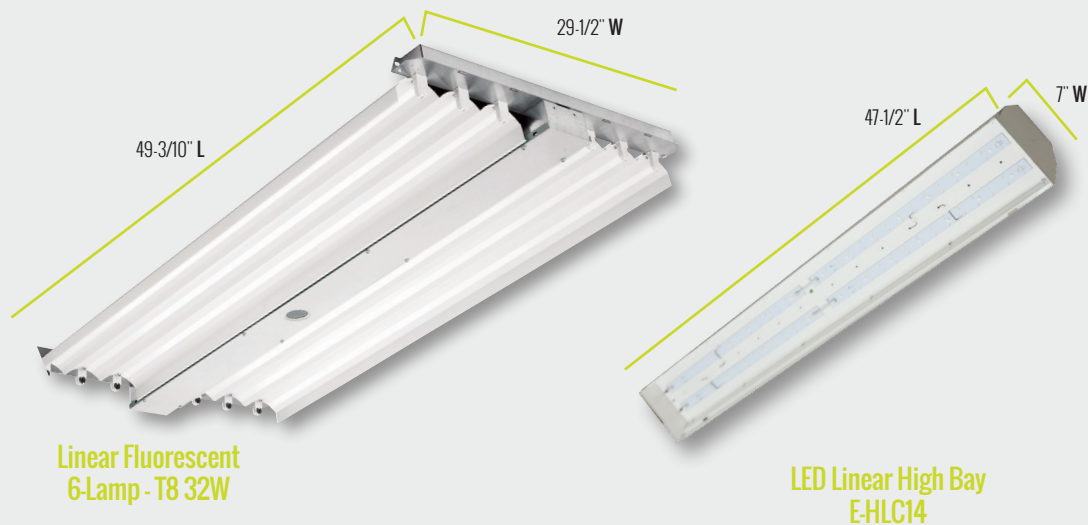


Locking Type Receptacle
(3-Blade Twist-Lock)
SKU: **E-ACRCPT31** (120V, 3-Wire, NEMA L5-15R)
E-ACRCPT32 (277V, 3-Wire, NEMA L7-15R)
E-ACRCPT34 (208V/240V, 3-Wire, NEMA L6-15R)

Size Comparison (LED vs. Fluorescent)

Compared to 6-Lamp - T8 32W Linear Fluorescents, the E-HLC14 Series:

- Is 78% smaller for ease of installation
- Consumes less power, while producing the same light output



Generational Chart

OLD SERIES	NEW SERIES
E-HLC14A Series	E-HLC14B Series

Due to continuous product improvement, information in this document is subject to change. The UL logo is a registered trademark of UL LLC. The DLC QPL logo and the DLC QPL Premium logo are registered trademarks of Northeast Efficiency Partnerships, Inc.

Revision Date: 06/25/18

1501 96th Street, Sturtevant, WI 53177 | Phone (888) 243-9445 | Fax (262) 504-5409 | www.e-conolight.com

