

INSTALLATION INSTRUCTIONS E-CONOLIGHT E-WFC SERIES

Document:	LPN00368X0001A0_A	Date	2017-04-11
Created By:	TMT	ECO#	007491



CAUTIONS

IMPORTANT SAFEGUARDS

When using electrical equipment, basic safety precautions should always be followed including the following:

READ AND FOLLOW ALL SAFETY INSTRUCTIONS

- 1. DANGER-** Risk of shock- Disconnect power before installation.
DANGER – Risque de choc – Couper l'alimentation avant l'installation.
- This luminaire must be installed in accordance with the NEC or your local electrical code. If you are not familiar with these codes and requirements, consult a qualified electrician.
Ce produit doit être installé conformément à NEC ou votre code électrique local. Si vous n'êtes pas familier avec ces codes et ces exigences, veuillez contacter un électricien qualifié.
- Do not recess the fixture.
- Mount as down-light only.
Lumière vers le bas seulement
- Suitable for wet locations.
Convient aux emplacements mouillés.
- Conduit holes must be sealed with conduit plugs.
- Seal the fixture mounting surface with high quality waterproof silicone sealant.
- For supply wire temperature rating, refer to fixture label.

SAVE THESE INSTRUCTIONS FOR FUTURE REFERENCE

MOUNTING TO JUNCTION BOX

- Remove the two screws securing the Mounting Box to the fixture. See **Figure 1**.
NOTE: Do not remove lens frame from the luminaire
- Position the Mounting Box over the junction box, see **Figure 2**, and remove the appropriate mounting screw and wire-way knock-outs in the back of Mounting Box to match the junction box. Apply waterproof silicone to mounting surface.
- Route supply wires through the wire-way and secure the fixture Mounting Box to the junction box with junction box screws.
- Locate the hook inside of the mounting box (See **Figure 2**) and pull it down. The fixture can be hung on the hook while electrical connections are made.
- Complete the wiring to the incoming power and ground (see Electrical Connections). Remove the fixture from the hook and reposition the hook back inside the mounting box.
- Slide the fixture over the mounting box ensuring all wires are within the mounting box and secure the fixture with the two screws removed in Step 1.

FIGURE 1

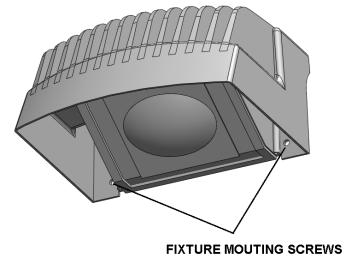
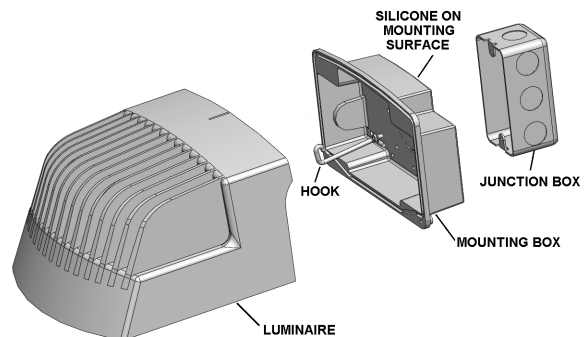


FIGURE 2



DIRECT MOUNTING USING CONDUIT

- Remove the two screws securing the Mounting Box to the fixture. See **Figure 1**.
- Remove the appropriate mounting screw knock-outs and apply water proof silicone on mounting surface. Secure Mounting Box to the mounting surface using customer supplied mechanical fasteners.
- Locate the hook inside of the mounting box (See **Figure 2**) and pull it down. The fixture can be hung on the hook while electrical connections are made.
- Remove the conduit plug from the direction you intend to feed conduit and attach customer supplied conduit, using a sealing compound at threads.
- Complete the wiring to the incoming power and ground (see Electrical Connections). Remove the fixture from the hook and reposition the hook back inside the mounting box.
- Slide the fixture over the mounting box ensuring all wires are within the mounting box and secure the fixture with the two screws removed in Step 1.

INSTALLATION INSTRUCTIONS E-CONOLIGHT E-WFC SERIES

Document:	LPN00368X0001A0_A	Date	2017-04-11
Created By:	TMT	ECO#	007491

ELECTRICAL CONNECTIONS

Fixture is equipped with universal volt driver 120-277V
(ie. 120V, 208V, 240V or 277V)

PHASE TO NEUTRAL WIRING 120/277V

1. Connect supply ground to fixture ground (green) lead.
2. Connect supply common to fixture neutral (white) lead.
3. Connect supply Vin to fixture hot (black) lead.

Tuck all wires carefully into wiring chamber ensuring that no wires are pinched.

PHASE TO PHASE WIRING 208/240V

1. Connect supply ground to fixture ground (green) lead.
2. Connect supply L1 (Hot) to fixture neutral (white) lead.
3. Connect supply L2 (Hot) to fixture hot (black) lead.

Tuck all wires carefully into wiring chamber ensuring that no wires are pinched.

FCC NOTICE Class A- E-WFC18 ONLY

CAUTION: Changes or modifications not expressly approved could void your authority to use this equipment.

This device complies with part 15 of the FCC Rules. Operation is subject to the following two conditions: (1) This device may not cause harmful interference, and (2) this device must accept any interference received, including interference that may cause undesired operation.

This equipment has been tested and found to comply with the limits for a Class A digital device, pursuant to part 15 of the FCC Rules. These limits are designed to provide reasonable protection against harmful interference when the equipment is operated in a commercial environment. This equipment generates, uses, and can radiate radio frequency energy and, if not installed and used in accordance with the instruction manual, may cause harmful interference to radio communications. Operation of this equipment in a residential area is likely to cause harmful interference in which case the user will be required to correct the interference at his own expense.
CAN ICES-003 (A)/NMB-003 (A)

FCC NOTICE Class B - E-WFC03 AND E-WFC06 ONLY

CAUTION: Changes or modifications not expressly approved could void your authority to use this equipment.

This device complies with Part 15 of the FCC Rules. Operation to the following two conditions: (1) This device may not cause harmful interference, and (2) this device must accept any interference received, including interference that may cause undesired operation.

This device has been tested and found to comply with the limits for a Class B digital device, pursuant to Part 15 of the FCC Rules. These limits are designed to provide reasonable protection against harmful interference when the device is operated in a commercial environment. This device generates, uses, and can radiate radio frequency energy and, if not installed and used in accordance with the instruction manual, may cause harmful interference to radio communications. Operation of this device in a residential area is likely to cause harmful interference in which case the user will be required to correct the interference at his own expense.

INDUSTRY CANADA STATEMENT

This device complies with Industry Canada licence-exempt RSS standard(s). Operation is subject to the following two conditions: (1) this device may not cause interference, and (2) this device must accept any interference, including interference that may cause undesired operation of the device. In addition, this device complies with ICES-003 of the Industry Canada (IC) Regulations.

Le présent appareil est conforme aux CNR d'Industrie Canada applicables aux appareils radio exempts de licence. L'exploitation est autorisée aux deux conditions suivantes : (1) l'appareil ne doit pas produire de brouillage, et (2) l'utilisateur de l'appareil doit accepter tout brouillage radioélectrique subi, même si le brouillage est susceptible d'en compromettre le fonctionnement.