

E-AL3L Series

LED Wall Pack / Area Light - Small
Replaces 250W PSMH



e-conolight's LED Wall Pack - Area Lights boast high energy savings and have the same stylish design as our popular LED Area Lights - making them ideal for a complete campus look.

Efficient

- Stylish fins dissipate heat to keep LEDs running cool
- Patented lens delivers IES Type II distribution

Recommended Use

- Security
- Pathways
- Perimeter lighting
- When control of spill light is important

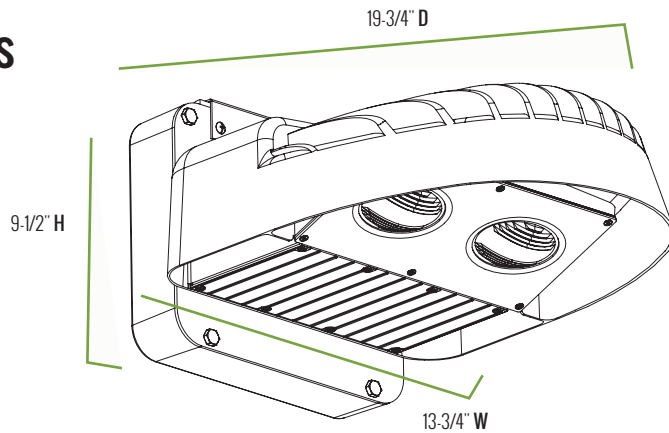
Input Voltage

- Universal (120V through 277V Operation)

Certifications



E-AL3L Series



Series Overview

DIMENSIONS	PRODUCT WEIGHT	MOUNTING HEIGHT	SPACING
19-3/4" D x 13-3/4" W x 9-1/2" H	28.05 lbs.	8 to 30 feet	4 times the mounting height

Fixture Specifications

HOUSING	Low-copper, die-cast aluminum housing Dark bronze polyester powder-coat finish
LENS ASSEMBLY	Patented lens design delivers true IES Type III distribution
MOUNTING	1/2" threaded conduit entries on two sides, bottom & back or mount over recessed 4" octagonal junction box

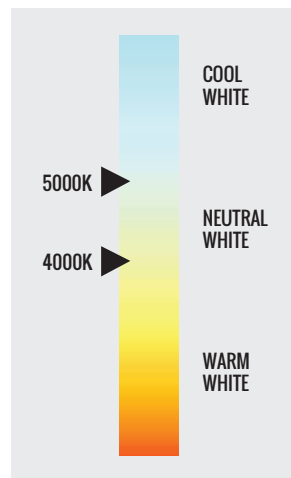
Electrical Performance

OPERATING MINIMUM	LIFESPAN <small>L₇₀ AT 25°C (77°F)</small>	POWER FACTOR	TOTAL HARMONIC DISTORTION	DIMMABLE
-40°C (-40°F)	Estimated 146,000 Hours	> 0.9	< 20%	No
INPUT VOLTAGE	120V	208V	240V	277V
Current Draw (Amps)	1.28A	0.72A	0.54A	0.59A

Warranty & Certifications

WARRANTY	UL LISTED	ENERGY STAR
5-Year Limited	Wet Locations Downlight Only	---

CORRELATED COLOR TEMPERATURE (CCT)



Output Specifications

SKU	LIGHT OUTPUT	COLOR TEMP <small>(See chart)</small>	POWER CONSUMPTION	COLOR ACCURACY	REPLACES
E-AL3L315CZ	13,500 Lumens	Cool White (5000K)	150W	≥ 70 CRI	250W PSMH
E-AL3L315NZ	12,400 Lumens	Neutral White (4000K)	150W	≥ 70 CRI	250W PSMH

Due to continuous product improvement, information in this document is subject to change.

Revision Date: 10/27/16

1501 96th Street, Sturtevant, WI 53177 | Phone (888) 243-9445 | Fax (262) 504-5409 | www.e-conolight.com



E-AL3L Series

Accessories



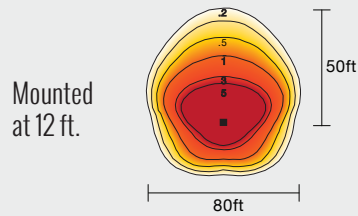
Photocell - Button, 120V/208V/240V/277V

SKU: E-ACP1 (120V)

E-ACP2 (208V/240V/277V)

USE: Photocell is field installed.
Drilling of the back box in the field is required.

Photometric Diagrams



All published photometric testing performed to IESNA LM-79-08 standards by a NVLAP certified laboratory. Fixture photometry was completed on a single representative fixture.