

E-APA23 Series

LED Area Light - Type III
Replaces 400W PSMH



Achieve cohesion by way of multiple mounting options!

Our E-APA fixtures can be pole or wall mounted to provide any application space with a unified look and a sleek design.

Efficient

- Up to 57% energy savings over comparable HID fixtures
- Heat dissipating fins keep LEDs running cooler, longer
- Glare shield reduces light pollution

Durable

- Sturdy, low-copper die-cast aluminum construction
- Rugged tempered glass lens

Recommended Use

- General area lighting
- Parking lots
- Roadways

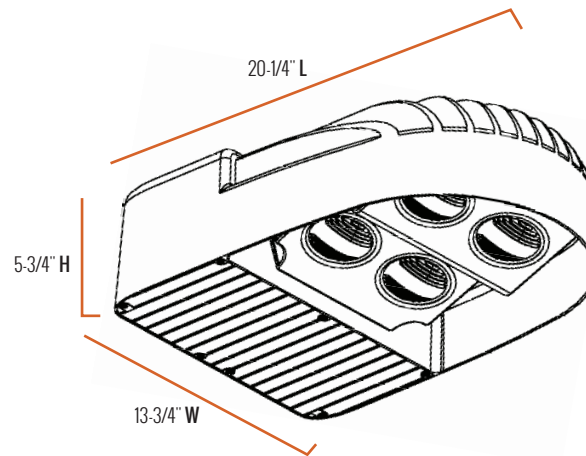
Input Voltage

- Universal (120V through 277V Operation)

Certifications



E-APA23 Series



Series Overview

DIMENSIONS	PRODUCT WEIGHT	MOUNTING HEIGHT	SPACING
20-1/4" L x 13-3/4" W x 5-3/4" H	26.71 lbs.	20 to 30 feet	4 to 5 times the mounting height

Fixture Specifications

HOUSING	Low-copper, die-cast aluminum housing Dark bronze polyester powder-coat finish
LENS ASSEMBLY	Tempered glass lens is thermal, shock and impact resistant Patented lens design delivers IES Type III distribution
MOUNTING	Fixture comes without mounting (sold separately) For use in 0° orientation (downlight position) only

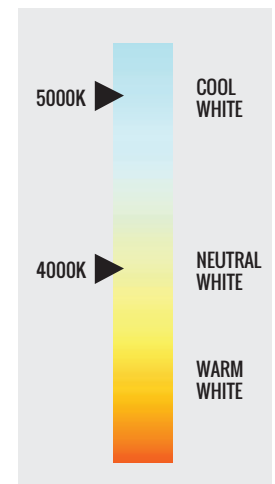
Electrical Performance

OPERATING MINIMUM	LIFESPAN <small>L₇₀ AT 25°C (77°F)</small>	POWER FACTOR	TOTAL HARMONIC DISTORTION	DIMMABLE
-40°C (-40°F)	Estimated > 100,000 Hours	> 0.9	< 20%	No
INPUT VOLTAGE	120V	208V	240V	277V
Current Draw (Amps)	1.9A	1.1A	0.95A	0.82A

Warranty & Certifications

WARRANTY	UL LISTED	DLC	ENERGY STAR
5-Year Limited	Wet Locations (0° tilt only)	Yes	---

CORRELATED COLOR TEMPERATURE (CCT)



Output Specifications

SKU	LIGHT OUTPUT	COLOR TEMP <small>(See chart)</small>	POWER CONSUMPTION	COLOR ACCURACY	REPLACES
E-APA23A-C350Z	22,700 Lumens	Cool White (5000K)	228W	≥ 70 CRI	400W PSMH
E-APA23A-C340Z	23,100 Lumens	Neutral White (4000K)	228W	≥ 70 CRI	400W PSMH

Due to continuous product improvement, information in this document is subject to change.

Revision Date: 07/18/17

1501 96th Street, Sturtevant, WI 53177 | Phone (888) 243-9445 | Fax (262) 504-5409 | www.e-conolight.com

E-APA23 Series

Accessories



Photocell - Button, 120V/208V/240V/277V

SKU: **E-ACP1** (120V)
E-ACP2 (208V/240V/277V)

USE: Photocell is field installed
For use with 2" adjustable slip fitter only

Mounting Options (Use only when mounting E-APA12 & E-APA23 Series Area Lights)



6" Mounting Arm

SKU: **E-ACE**
USE: For pole mounting



2" Slip Fitter

SKU: **E-ACS**
USE: For pole mounting
Fits over 2-3/8" O.D. pipe



Adjustable U-bracket

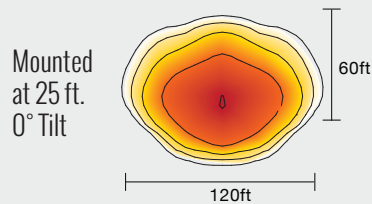
SKU: **E-ACUH**
USE: For wall mounting
NOTE: Not for use with E-APA12 series



Wall Pack Back Box

SKU: **E-ACAPABB**
USE: For wall pack mounting

Photometric Diagrams



All published photometric testing performed to IESNA LM-79-08 standards by a NVLAP certified laboratory. Fixture photometry was completed on a single representative fixture.

Generational Chart

OLD SERIES	NEW SERIES
E-AL2L Series	E-APA23 Series
E-AL4L Series	E-APA23 Series with back box

Due to continuous product improvement, information in this document is subject to change.

Revision Date: 07/18/17

1501 96th Street, Sturtevant, WI 53177 | Phone (888) 243-9445 | Fax (262) 504-5409 | www.e-conolight.com

