

E-X2X Series

New York City Compliant LED Exit Sign



Valuable Features

- New York City compliant
- Knockouts on fixture allow for back plate mounting or top and side conduit entry

Recommended Use

- Exit identification lighting
- Indoor commercial, retail & industrial applications

Input Voltage

- 120V or 277V operation

Certifications



On all Housing & Electronics

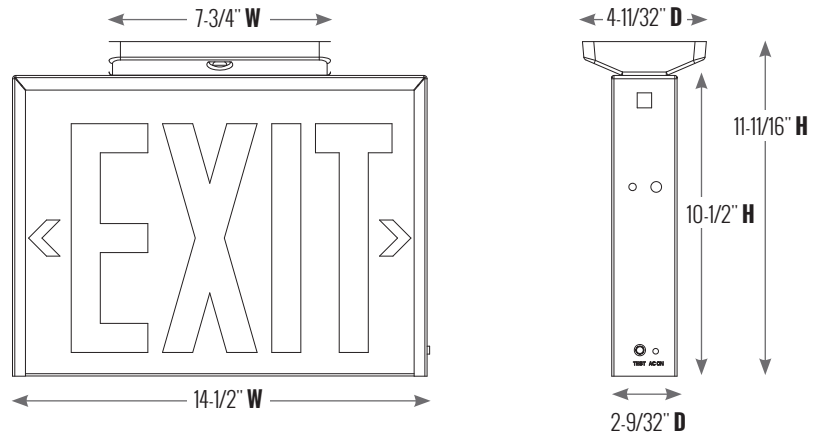


Pro-Rated (Batteries)



WARNING: Cancer and Reproductive Harm - www.p65warnings.ca.gov

E-X2X Series



Series Overview

DIMENSIONS	PRODUCT WEIGHT	MOUNTING HEIGHT	SPACING
4-11/32" D x 14-1/2" W x 11-11/16" H (Dimension includes mounting canopy)	8.4 lbs. (E-X2XS2EBW)	See local fire code	See local fire code
	8.3 lbs. (E-X2XS2EW)		

Fixture Specifications

FEATURES	New York City compliant red 8" exit letters
HOUSING	Durable, white powder coated steel construction Removable knockout directional indicators
MOUNTING	Aluminum mounting canopy included for top or end mount Rear knockouts for back plate mounting Top and side knockouts for conduit entry
INCLUDES	90 minute, 3.6V maintenance-free, rechargeable NiCd battery (E-X2XS2EBW only)
CERTIFICATIONS	Meets UL924, NFPA 101 Life Safety Code, NEC & OSHA codes

Electrical Performance

OPERATING RANGE	LIFESPAN <small>L₇₀ AT 25°C (77°F)</small>	POWER FACTOR	TOTAL HARMONIC DISTORTION	DIMMABLE
-20°C - 50°C	---	---	---	---
INPUT VOLTAGE	120V	208V	240V	277V
Current Draw (Amps)	0.041A	---	---	0.018A

Warranty & Certifications

WARRANTY	UL LISTED
5-Year Limited (Housing & Electronics) 2-Year Pro-Rated (Batteries)	Damp Locations

Output Specifications

SKU	DESCRIPTION	POWER CONSUMPTION
E-X2XS2EBW	Red Letters, Single Face with Battery Backup	5.0W at 120V & 277V
E-X2XS2EW	Red Letters, Single Face, AC Only	

Due to continuous product improvement, information in this document is subject to change.

Revision Date: 04/17/17

1501 96th Street, Sturtevant, WI 53177 | Phone (888) 243-9445 | Fax (262) 504-5409 | www.e-conolight.com