

# E-FFA08 Series

Premium LED Floodlight - Small  
Replaces 150W PSMH / 175W MH



## Savings you'll love!

e-conolight's Premium LED Floodlight - Small delivers a big punch, with up to 8000 lumens, while only taking a small bite out of your wallet. This next generation floodlight was redesigned with better energy savings and rebates in mind, to save you even more!

### Efficient

- Uses 65% less energy than 150W PSMH / 175W MH fixtures
- Qualifies for DLC 4.0 rebates

### Versatile

- A wide (107°) beam spread lends itself to a variety of applications

### Recommended Use

- Building facades
- Security
- Uplighting for signs & displays

### Input Voltage

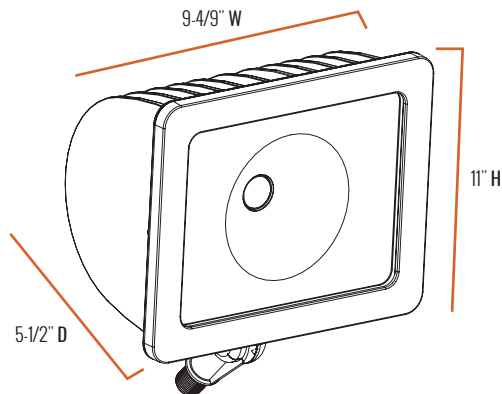
- Universal (120V through 277V Operation)

### Certifications



Quality Products, Affordably Priced.

# E-FFA08 Series



## Series Overview

| DIMENSIONS                  | PRODUCT WEIGHT | MOUNTING HEIGHT | SPACING |
|-----------------------------|----------------|-----------------|---------|
| 5-1/2" D x 9-4/9" W x 11" H | 6.16 lbs.      | 10 to 20 feet   | ---     |

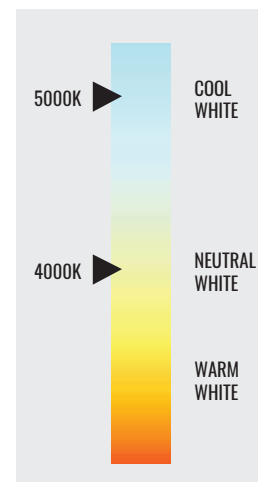
## Fixture Specifications

|                      |                                                                                                  |
|----------------------|--------------------------------------------------------------------------------------------------|
| <b>HOUSING</b>       | Low-copper, die-cast aluminum housing and lens frame<br>Dark bronze polyester powder-coat finish |
| <b>LENS ASSEMBLY</b> | Tempered glass lens is thermal, shock and impact resistant<br>Polycarbonate reflector            |
| <b>MOUNTING</b>      | Includes 1/2" adjustable fitter                                                                  |

## Electrical Performance

| OPERATING MINIMUM    | LIFESPAN<br><small>L<sub>70</sub> AT 25°C (77°F)</small> | POWER FACTOR | TOTAL HARMONIC DISTORTION | DIMMABLE    |
|----------------------|----------------------------------------------------------|--------------|---------------------------|-------------|
| -40°C (-40°F)        | Estimated<br>> 100,000 Hours                             | > 0.9        | < 20%                     | No          |
| <b>INPUT VOLTAGE</b> | <b>120V</b>                                              | <b>208V</b>  | <b>240V</b>               | <b>277V</b> |
| Current Draw (Amps)  | 0.62A                                                    | 0.36A        | 0.31A                     | 0.27A       |

## CORRELATED COLOR TEMPERATURE (CCT)



## Warranty & Certifications

| WARRANTY       | UL LISTED     | DLC |
|----------------|---------------|-----|
| 5-Year Limited | Wet Locations | Yes |

## Output Specifications

| SKU                   | LIGHT OUTPUT | COLOR TEMP<br><small>(See chart)</small> | POWER CONSUMPTION | COLOR ACCURACY | DISTRIBUTION | REPLACES            |
|-----------------------|--------------|------------------------------------------|-------------------|----------------|--------------|---------------------|
| <b>E-FFA08A-TW50Z</b> | 7300 Lumens  | Cool White (5000K)                       | 74W               | ≥ 70 CRI       | 107° (Wide)  | 150W PSMH / 175W MH |
| <b>E-FFA08A-TW40Z</b> | 8000 Lumens  | Neutral White (4000K)                    | 74W               | ≥ 70 CRI       | 107° (Wide)  | 150W PSMH / 175W MH |

Due to continuous product improvement, information in this document is subject to change.

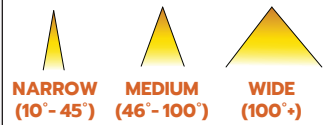
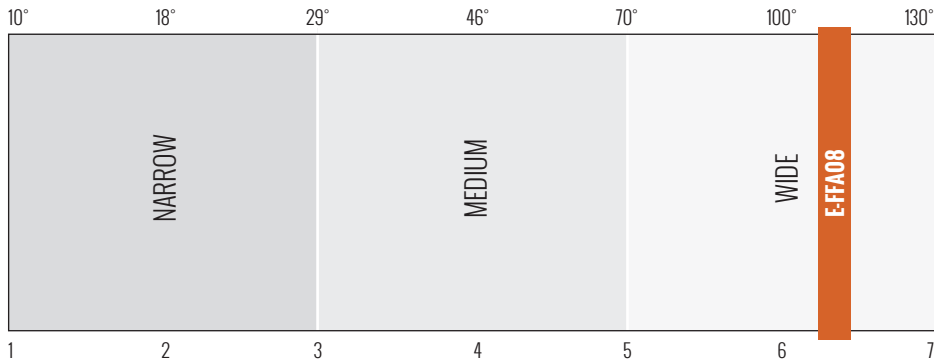
Revision Date: 07/24/17

1501 96<sup>th</sup> Street, Sturtevant, WI 53177 | Phone (888) 243-9445 | Fax (262) 504-5409 | www.e-conolight.com

# E-FFA08 Series

## Beam Spread Classifications

### Degrees



### NEMA Type

### Accessories



**Conduit Slip Fitter**  
**SKU: E-ACMNH2DB**  
**USE:** Cast aluminum hub provides a threaded entry for 1/2" adjustable fitter and slips over a 2-3/8" O.D. pipe or tenon

### Additional Mounting Options (Varies depending on application)

| WALL MOUNT<br>• Attaches to any flat surface • Provides wiring access |                                                                                                                                                        | POLE MOUNT<br>• For mounting one fixture on an existing pole                      |                                                                                                                          |
|-----------------------------------------------------------------------|--------------------------------------------------------------------------------------------------------------------------------------------------------|-----------------------------------------------------------------------------------|--------------------------------------------------------------------------------------------------------------------------|
|                                                                       | <b>Wall Mount Box with 2-3/8" O.D. Tenon</b><br><b>SKU: E-ACWM1DB</b>                                                                                  |                                                                                   | <b>4" Square Pole Mount with 2-3/8" O.D. Tenon</b><br><b>SKU: E-ACPB1A4Z</b><br><b>USE:</b> Fits over 3-1/2" O.D. square |
|                                                                       | <b>Wall Mount Bracket with 2-3/8" O.D. Tenon</b><br><b>SKU: E-ACWM2DB</b><br><b>USE:</b> Allows fixture to be adjusted vertically                      | <b>GROUND MOUNT</b><br>• Provides wiring or conduit feed access through post base |                                                                                                                          |
|                                                                       | <b>90° Wall Mount Bracket with 2-3/8" O.D. Tenon</b><br><b>SKU: E-ACWM4DB</b><br><b>USE:</b> Allows fixture to be adjusted vertically and horizontally |                                                                                   | <b>Ground Mount Post</b><br><b>SKU: E-ACGM1DB</b><br><b>USE:</b> For ground mounted floodlight fixtures                  |

### Generational Chart

| OLD SERIES    | NEW SERIES     |
|---------------|----------------|
| E-HL7F Series | E-FFA08 Series |



**WARNING:** Cancer and Reproductive Harm - [www.p65warnings.ca.gov](http://www.p65warnings.ca.gov)

Due to continuous product improvement, information in this document is subject to change.

Revision Date: 07/24/17

1501 96<sup>th</sup> Street, Sturtevant, WI 53177 | Phone (888) 243-9445 | Fax (262) 504-5409 | [www.e-conolight.com](http://www.e-conolight.com)

