

E-HL9 Series

LED High-Output Floodlight
Replaces 400W PSMH



Up to 27,400 Lumens - Our Brightest LED Floodlight Ever!

e-conolight's High-Output LED Floodlight is two times brighter than previous models (up to 24,700 lumens).

Efficient

- Uses 33% less energy than 400W PSMH

Recommended Use

- Building facades
- Security
- Uplighting for signs & displays

Flexible

- Wide (89°) and narrow (37°) beam angles
- Multiple color temperatures to meet any application

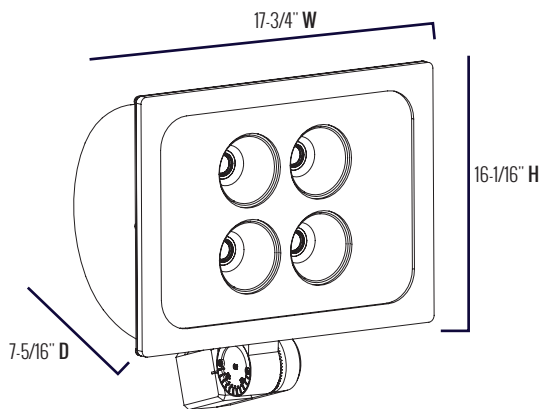
Input Voltage

- Universal (120V through 277V Operation)

Certifications



E-HL9 Series



Series Overview

| DIMENSIONS | PRODUCT WEIGHT | MOUNTING HEIGHT | SPACING |
|------------------------------------|----------------|-----------------|---------|
| 7-5/16" D x 17-3/4" W x 16-1/16" H | 27 lbs. | 20 to 30 feet | --- |

Fixture Specifications

| | |
|----------------------|--|
| HOUSING | Low-copper, die-cast aluminum housing and lens frame Dark bronze polyester powder-coat finish |
| LENS ASSEMBLY | Tempered glass lens is thermal, shock and impact resistant Polycarbonate reflector |
| MOUNTING | Includes 2" adjustable fitter |

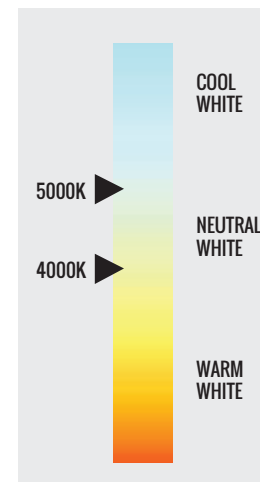
Electrical Performance

| OPERATING MINIMUM | LIFESPAN <small>L₇₀ AT 25°C (77°F)</small> | POWER FACTOR | TOTAL HARMONIC DISTORTION | DIMMABLE |
|----------------------------|--|--------------|---------------------------|-------------|
| -40°C (-40°F) | Estimated 146,000 Hours | > 0.9 | < 20% | No |
| INPUT VOLTAGE | 120V | 208V | 240V | 277V |
| Current Draw (Amps) | 2.6A | 1.6A | 1.4A | 1.2A |

Warranty & Certifications

| WARRANTY | UL LISTED | ENERGY STAR |
|----------------|---------------|-------------|
| 5-Year Limited | Wet Locations | --- |

CORRELATED COLOR TEMPERATURE (CCT)



Output Specifications

| SKU | LIGHT OUTPUT | COLOR TEMP <small>(See chart)</small> | POWER CONSUMPTION | COLOR ACCURACY | DISTRIBUTION | REPLACES |
|--------------------|---------------|--|-------------------|----------------|--------------------|-----------|
| E-HL9F30CSZ | 27,400 Lumens | Cool White (5000K) | 300W | ≥ 70 CRI | 89° Flood (Wide) | 400W PSMH |
| E-HL9F30NSZ | 26,600 Lumens | Neutral White (4000K) | 300W | ≥ 70 CRI | 89° Flood (Wide) | 400W PSMH |
| E-HL9S30CSZ | 23,000 Lumens | Cool White (5000K) | 300W | ≥ 70 CRI | 37° Flood (Narrow) | 400W PSMH |
| E-HL9S30NSZ | 22,200 Lumens | Neutral White (4000K) | 300W | ≥ 70 CRI | 37° Flood (Narrow) | 400W PSMH |

Due to continuous product improvement, information in this document is subject to change.

Revision Date: 05/03/16

1501 96th Street, Sturtevant, WI 53177 | Phone (888) 243-9445 | Fax (262) 504-5409 | www.e-conolight.com



E-HL9 Series

Accessories



Photocell - Button, 120V/208V/240V/277V

SKU: **E-ACP1** (120V)

E-ACP2 (208V/240V/277V)

USE: Photocell is field installed.